

QLINE® I

QLINE® I, Type 4X



Industry Standards

Polycarbonate Enclosure

UL 508A Listed; Type 4, 4X, 12, 13; File No. E61997
 cUL Listed per CSA C22.2 No 94; Type 4, 4X, 12, 13; File No. E61997
 Enclosure flammability evaluated per UL 508A

NEMA/EEMAC Type 4, 4X, 12, 13
 CSA File No. 42186: Type 4, 4X, 12, 13
 IEC 60529, IP66

ABS Enclosure

NEMA/EEMAC Type 4, 4X, 12, 13
 IEC 60529, IP66

Application

The largest-sized QLINE® enclosure, QLINE I provides easy access and protects larger controls from corrosive environments. Choose from screw cover, hinge, internal mounting, variable depth and quick-release latch options to meet your design and security requirements. The ABS series shares the same features and similar physical properties as the polycarbonate but is a more economical, non-UL rated alternative.

Specifications

- Body is impact-resistant polycarbonate for PCI series and ABS for ABI series
- Opaque and clear covers are impact-resistant polycarbonate for PCI; opaque covers are ABS for ABI series
- Polycarbonate and ABS material is easily punched, drilled, filed or sawed
- Mounting holes molded directly under cover screws
- Molded internal pads for mounting optional panels, rails and other components
- Molded internal rails for mounting adjustable-depth panel kit
- Screws provided for mounting optional panel
- Optional extension rings are molded polycarbonate
- Cover includes a molded-in hole for wire lead
- Seamless foam-in-place gasket assures water-tight and dust-tight seal
- Material is halogen free

Screw Cover Enclosures have easy-to-remove covers attached to body with strong, durable polyamide cross-point cover screws.

Enclosures with Quick-Release Latches have polycarbonate hinges and polyester latches with a padlock provision.

Finish

Polycarbonate and ABS enclosure material is RAL 7035 light-gray inside and out. Optional panels are plated steel.

Accessories

See also Accessories.

Brass Insert Kit
 Cover Screw Kit
 Extension Rings
 Hardware Kit
 H2OMIT® Vent Drains, Type 4X
 Hinge Kit
 HOL-SEALERS™ Non-Metallic Hole Seals
 Mounting Bracket Kit
 Panel Depth Fitting

Modification and Customization

Hoffman excels at modifying and customizing products to your specifications. Contact your local Hoffman sales office or distributor for complete information.

Bulletin: Q41

QLINE® I

Standard Product **Polycarbonate**

Catalog Number	Ax B x C mm/in.	Cover Style	Cover Fastener	External Dim's		Panel Size		Mounting									
				L x W mm/in.	Panel	D x E mm/in.	Extension Ring	G x H mm/in.	F mm/in.	P mm/in.	Q mm/in.	R mm/in.	S mm/in.	T mm/in.	U mm/in.	Y mm/in.	Z mm/in.
Q202013PCI	188 x 188 x 123	Opaque	Screw	200 x 200	Q2020PI	160 x 160	Q2020EXTI	180 x 180	115	150	150	140	140	120	110	100	100
	7.40 x 7.40 x 4.84			6.30 x 6.30		7.09 x 7.09		4.53	5.91	5.91	5.51	5.51	4.72	4.33	3.94	3.94	
Q202013PICC	188 x 188 x 123	Clear	Screw	200 x 200	Q2020PI	160 x 160	Q2020EXTI	180 x 180	115	150	150	140	140	120	120	100	100
	7.40 x 7.40 x 4.84			6.30 x 6.30		7.09 x 7.09		4.53	5.91	5.91	5.51	5.51	4.72	4.33	3.94	3.94	
Q302013PCI	288 x 188 x 123	Opaque	Screw	300 x 200	Q3020PI	260 x 160	Q3020EXTI	280 x 180	115	150	250	140	240	120	210	100	200
	11.34 x 7.40 x 4.84			10.24 x 6.30		11.02 x 7.09		4.53	5.91	9.84	5.51	9.45	4.72	8.27	3.94	7.87	
Q302013PICC	288 x 188 x 123	Clear	Screw	300 x 200	Q3020PI	260 x 160	Q3020EXTI	280 x 180	115	150	250	140	240	120	210	100	200
	11.34 x 7.40 x 4.84			10.24 x 6.30		11.02 x 7.09		4.53	5.91	9.84	5.51	9.45	4.72	8.27	3.94	7.87	
Q402013PCI	388 x 188 x 123	Opaque	Screw	400 x 200	Q4020PI	360 x 160	Q4020EXTI	380 x 180	115	150	350	140	340	120	310	100	300
	15.28 x 7.40 x 4.84			14.17 x 6.30		14.96 x 7.09		4.53	5.91	13.78	5.51	13.39	4.72	12.20	3.94	11.81	
Q402013PICC	388 x 188 x 123	Clear	Screw	400 x 200	Q4020PI	360 x 160	Q4020EXTI	380 x 180	115	150	350	140	340	120	310	100	300
	15.28 x 7.40 x 4.84			14.17 x 6.30		14.96 x 7.09		4.53	5.91	13.78	5.51	13.39	4.72	12.20	3.94	11.81	
Q303013PCI	288 x 288 x 123	Opaque	Screw	300 x 300	Q3030PI	260 x 260	Q3030EXTI	280 x 280	115	250	250	240	240	220	210	200	200
	11.34 x 11.34 x 4.84			10.24 x 10.24		11.02 x 11.02		4.53	9.84	9.84	9.45	9.45	8.66	8.27	7.87	7.87	
Q303013PICC	288 x 288 x 123	Clear	Screw	300 x 300	Q3030PI	260 x 260	Q3030EXTI	280 x 280	115	250	250	240	240	220	210	200	200
	11.34 x 11.34 x 4.84			10.24 x 10.24		11.02 x 11.02		4.53	9.84	9.84	9.45	9.45	8.66	8.27	7.87	7.87	
Q403013PCI	388 x 288 x 123	Opaque	Screw	400 x 300	Q4030PI	360 x 260	Q4030EXTI	380 x 280	115	250	350	240	340	220	310	200	300
	15.28 x 11.34 x 4.84			14.17 x 10.24		14.96 x 11.02		4.53	9.84	13.78	9.45	13.39	8.66	12.20	7.87	11.81	
Q403013PICC	388 x 288 x 123	Clear	Screw	400 x 300	Q4030PI	360 x 260	Q4030EXTI	380 x 280	115	250	350	240	340	220	310	200	300
	15.28 x 11.34 x 4.84			14.17 x 10.24		14.96 x 11.02		4.53	9.84	13.78	9.45	13.39	8.66	12.20	7.87	11.81	
Q603013PCI	588 x 288 x 123	Opaque	Screw	600 x 300	Q6030PI	560 x 260	Q6030EXTI	580 x 280	115	250	550	240	540	220	510	200	500
	23.15 x 11.34 x 4.84			22.05 x 10.24		22.83 x 11.02		4.53	9.84	21.65	9.45	21.26	8.66	20.08	7.87	19.69	
Q603013PICC	588 x 288 x 123	Clear	Screw	600 x 300	Q6030PI	560 x 260	Q6030EXTI	580 x 280	115	250	550	240	540	220	510	200	500
	23.15 x 11.34 x 4.84			22.05 x 10.24		22.83 x 11.02		4.53	9.84	21.65	9.45	21.26	8.66	20.08	7.87	19.69	
Q604013PCI	588 x 388 x 123	Opaque	Screw	600 x 400	Q6040PI	560 x 360	Q6040EXTI	580 x 380	115	350	550	340	540	320	510	300	500
	23.15 x 15.28 x 4.84			22.05 x 14.17		22.83 x 14.96		4.53	13.78	21.65	13.39	21.26	12.60	20.08	11.81	19.69	
Q604013PICC	588 x 388 x 123	Clear	Screw	600 x 400	Q6040PI	560 x 360	Q6040EXTI	580 x 380	115	350	550	340	540	320	510	300	500
	23.15 x 15.28 x 4.84			22.05 x 14.17		22.83 x 14.96		4.53	13.78	21.65	13.39	21.26	12.60	20.08	11.81	19.69	
Q202018PCI	188 x 188 x 173	Opaque	Screw	200 x 200	Q2020PI	160 x 160	Q2020EXTI	180 x 180	165	150	150	140	140	120	110	100	100
	7.40 x 7.40 x 6.81			6.30 x 6.30		7.09 x 7.09		6.50	5.91	5.91	5.51	5.51	4.72	4.33	3.94	3.94	
Q202018PICC	188 x 188 x 173	Clear	Screw	200 x 200	Q2020PI	160 x 160	Q2020EXTI	180 x 180	165	150	150	140	140	120	110	100	100
	7.40 x 7.40 x 6.81			6.30 x 6.30		7.09 x 7.09		6.50	5.91	5.91	5.51	5.51	4.72	4.33	3.94	3.94	
Q302018PCI	288 x 188 x 173	Opaque	Screw	300 x 200	Q3020PI	260 x 160	Q3020EXTI	280 x 180	165	150	250	140	240	120	110	100	200
	11.34 x 7.40 x 6.81			10.24 x 6.30		11.02 x 7.09		6.50	5.91	9.84	5.51	9.45	4.72	4.33	3.94	7.87	
Q302018PICC	288 x 188 x 173	Clear	Screw	300 x 200	Q3020PI	260 x 160	Q3020EXTI	280 x 180	165	150	250	140	240	120	110	100	200
	11.34 x 7.40 x 6.81			10.24 x 6.30		11.02 x 7.09		6.50	5.91	9.84	5.51	9.45	4.72	4.33	3.94	7.87	
Q402018PCI	388 x 188 x 173	Opaque	Screw	400 x 200	Q4020PI	360 x 160	Q4020EXTI	380 x 180	165	150	350	140	340	120	310	100	300
	15.28 x 7.40 x 6.81			14.17 x 6.30		14.96 x 7.09		6.50	5.91	13.78	5.51	13.39	4.72	12.20	3.94	11.81	
Q402018PICC	388 x 188 x 173	Clear	Screw	400 x 200	Q4020PI	360 x 160	Q4020EXTI	380 x 180	165	150	350	140	340	120	310	100	300
	15.28 x 7.40 x 6.81			14.17 x 6.30		14.96 x 7.09		6.50	5.91	13.78	5.51	13.39	4.72	12.20	3.94	11.81	
Q303018PCI	288 x 288 x 173	Opaque	Screw	300 x 300	Q3030PI	260 x 260	Q3030EXTI	280 x 280	165	250	250	240	240	220	210	200	200
	11.34 x 11.34 x 6.81			10.24 x 10.24		11.02 x 11.02		6.50	9.84	9.84	9.45	9.45	8.66	8.27	7.87	7.87	
Q303018PICC	288 x 288 x 173	Clear	Screw	300 x 300	Q3030PI	260 x 260	Q3030EXTI	280 x 280	165	250	250	240	240	220	210	200	200
	11.34 x 11.34 x 6.81			10.24 x 10.24		11.02 x 11.02		6.50	9.84	9.84	9.45	9.45	8.66	8.27	7.87	7.87	
Q403018PCI	388 x 288 x 173	Opaque	Screw	400 x 300	Q4030PI	360 x 260	Q4030EXTI	380 x 280	165	250	350	240	340	220	310	200	300
	15.28 x 11.34 x 6.81			14.17 x 10.24		14.96 x 11.02		6.50	9.84	13.78	9.45	13.39	8.66	12.20	7.87	11.81	
Q403018PICC	388 x 288 x 173	Clear	Screw	400 x 300	Q4030PI	360 x 260	Q4030EXTI	380 x 280	165	250	350	240	340	220	310	200	300
	15.28 x 11.34 x 6.81			14.17 x 10.24		14.96 x 11.02		6.50	9.84	13.78	9.45	13.39	8.66	12.20	7.87	11.81	
Q603018PCI	588 x 288 x 173	Opaque	Screw	600 x 300	Q6030PI	560 x 260	Q6030EXTI	580 x 280	165	250	550	240	540	220	510	200	500
	23.15 x 11.34 x 6.81			22.05 x 10.24		22.83 x 11.02		6.50	9.84	21.65	9.45	21.26	8.66	20.08	7.87	19.69	
Q603018PICC	588 x 288 x 173	Clear	Screw	600 x 300	Q6030PI	560 x 260	Q6030EXTI	580 x 280	165	250	550	240	540	220	510	200	500
	23.15 x 11.34 x 6.81			22.05 x 10.24		22.83 x 11.02		6.50	9.84	21.65	9.45	21.26	8.66	20.08	7.87	19.69	
Q604018PCI	588 x 388 x 173	Opaque	Screw	600 x 400	Q6040PI	560 x 360	Q6040EXTI	580 x 380	165	350	550	340	540	320	510	300	500
	23.15 x 15.28 x 6.81			22.05 x 14.17		22.83 x 14.96		6.50	13.78	21.65	13.39	21.26	12.60	20.08	11.81	19.69	
Q604018PICC	588 x 388 x 173	Clear	Screw	600 x 400	Q6040PI	560 x 360	Q6040EXTI	580 x 380	165	350	550	340	540	320	510	300	500
	23.15 x 15.28 x 6.81			22.05 x 14.17		22.83 x 14.96		6.50	13.78	21.65	13.39	21.26	12.60	20.08	11.81	19.69	
Q202013PCIQRR	188 x 188 x 123	Opaque	QR	200 x 200	Q2020PI	160 x 160	---	180 x 180	115	150	150	140	140	120	110	100	100
	7.40 x 7.40 x 4.84			6.30 x 6.30		7.09 x 7.09		4.53	5.91	5.91	5.51	5.51	4.72	4.33	3.94	3.94	
Q202013PCIQRCCR	188 x 188 x 123	Clear	QR	200 x 200	Q2020PI	160 x 160	---	180 x 180	115	150	150	140	140	120	110	100	100
	7.40 x 7.40 x 4.84			6.30 x 6.30		7.09 x 7.09		4.53	5.91	5.91	5.51	5.51	4.72	4.33	3.94	3.94	
Q302013PCIQRR	288 x 188 x 123	Opaque	QR	300 x 200	Q3020PI	260 x 160	---	280 x 180	115	150	250	140	240	120	210	100	200
	11.34 x 7.40 x 4.84			10.24 x 6.30		11.02 x 7.09		4.53	5.91	9.84	5.51	9.45	4.72	8.27	3.94	7.87	
Q302013PCIQRCCR	288 x 188 x 123	Clear	QR	300 x 200	Q3020PI	260 x 160	---	280 x 180	115	150	250	140	240	120	210	100	200
	11.34 x 7.40 x 4.84			10.24 x 6.30													

QLINE® I

Catalog Number	Ax B x C mm/in.	Cover Style	Cover Fastener	External Dim's		Panel Size		Extension Ring	Mounting								
				L x W mm/in.	Panel	D x E mm/in.	G x H mm/in.		F mm/in.	P mm/in.	Q mm/in.	R mm/in.	S mm/in.	T mm/in.	U mm/in.	Y mm/in.	Z mm/in.
Q403013PCIQRCCR	388 x 288 x 123	Clear	QR	400 x 300	Q4030PI	360 x 260	—	380 x 280	115	250	350	240	340	220	310	200	300
	15.28 x 11.34 x 4.84		Latch	15.75 x 11.81		14.17 x 10.24		14.96 x 11.02	4.53	9.84	13.78	9.45	13.39	8.66	12.20	7.87	11.81
Q603013PCIQRQR	588 x 288 x 123	Opaque	QR	600 x 300	Q6030PI	560 x 260	—	580 x 280	115	250	550	240	540	220	510	200	500
	23.15 x 11.34 x 4.84		Latch	23.62 x 11.81		22.05 x 10.24		22.83 x 11.02	4.53	9.84	21.65	9.45	21.26	8.66	20.08	7.87	19.69
Q603013PCIQRCCR	588 x 288 x 123	Clear	QR	600 x 300	Q6030PI	560 x 260	—	580 x 280	115	250	550	240	540	220	510	200	500
	23.15 x 11.34 x 4.84		Latch	23.62 x 11.81		22.05 x 10.24		22.83 x 11.02	4.53	9.84	21.65	9.45	21.26	8.66	20.08	7.87	19.69
Q604013PCIQRQR	588 x 388 x 123	Opaque	QR	600 x 400	Q6040PI	560 x 360	—	580 x 380	115	350	550	340	540	320	510	300	500
	23.15 x 15.28 x 4.84		Latch	23.62 x 15.75		22.05 x 14.17		22.83 x 14.96	4.53	13.78	21.65	13.39	21.26	12.60	20.08	11.81	19.69
Q604013PCIQRCCR	588 x 388 x 123	Clear	QR	600 x 400	Q6040PI	560 x 360	—	580 x 380	115	350	550	340	540	320	510	300	500
	23.15 x 15.28 x 4.84		Latch	23.62 x 15.75		22.05 x 14.17		22.83 x 14.96	4.53	13.78	21.65	13.39	21.26	12.60	20.08	11.81	19.69
Q202018PCIQRQR	188 x 188 x 173	Opaque	QR	200 x 200	Q2020PI	160 x 160	—	180 x 180	115	150	150	140	140	120	110	100	100
	7.40 x 7.40 x 6.81		Latch	7.87 x 7.87		6.30 x 6.30		7.09 x 7.09	6.50	5.91	5.91	5.51	5.51	4.72	4.33	3.94	3.94
Q202018PCIQRCCR	188 x 188 x 173	Clear	QR	200 x 200	Q2020PI	160 x 160	—	180 x 180	165	150	150	140	140	120	110	100	100
	7.40 x 7.40 x 6.81		Latch	7.87 x 7.87		6.30 x 6.30		7.09 x 7.09	6.50	5.91	5.91	5.51	5.51	4.72	4.33	3.94	3.94
Q302018PCIQRQR	288 x 188 x 173	Opaque	QR	300 x 200	Q3020PI	260 x 160	—	280 x 180	165	150	250	140	240	120	110	100	200
	11.34 x 7.40 x 6.81		Latch	11.81 x 7.87		10.24 x 6.30		11.02 x 7.09	6.50	5.91	9.84	5.51	9.45	4.72	4.33	3.94	7.87
Q302018PCIQRCCR	288 x 188 x 173	Clear	QR	300 x 200	Q3020PI	260 x 160	—	280 x 180	165	150	250	140	240	120	110	100	200
	11.34 x 7.40 x 6.81		Latch	11.81 x 7.87		10.24 x 6.30		11.02 x 7.09	6.50	5.91	9.84	5.51	9.45	4.72	4.33	3.94	7.87
Q402018PCIQRQR	388 x 188 x 173	Opaque	QR	400 x 200	Q4020PI	360 x 160	—	380 x 180	165	150	350	140	340	120	310	100	300
	15.28 x 7.40 x 6.81		Latch	15.75 x 7.87		14.17 x 6.30		14.96 x 7.09	6.50	5.91	13.78	5.51	13.39	4.72	12.20	3.94	11.81
Q402018PCIQRCCR	388 x 188 x 173	Clear	QR	400 x 200	Q4020PI	360 x 160	—	380 x 180	165	150	350	140	340	120	310	100	300
	15.28 x 7.40 x 6.81		Latch	15.75 x 7.87		14.17 x 6.30		14.96 x 7.09	6.50	5.91	13.78	5.51	13.39	4.72	12.20	3.94	11.81
Q303018PCIQRQR	288 x 288 x 173	Opaque	QR	300 x 300	Q3030PI	260 x 260	—	280 x 280	165	250	250	240	240	220	210	200	200
	11.34 x 11.34 x 6.81		Latch	11.81 x 11.81		10.24 x 10.24		11.02 x 11.02	6.50	9.84	9.84	9.45	9.45	8.66	8.27	7.87	7.87
Q303018PCIQRCCR	288 x 288 x 173	Clear	QR	300 x 300	Q3030PI	260 x 260	—	280 x 280	165	250	250	240	240	220	210	200	200
	11.34 x 11.34 x 6.81		Latch	11.81 x 11.81		10.24 x 10.24		11.02 x 11.02	6.50	9.84	9.84	9.45	9.45	8.66	8.27	7.87	7.87
Q403018PCIQRQR	388 x 288 x 173	Opaque	QR	400 x 300	Q4030PI	360 x 260	—	380 x 280	165	250	350	240	340	220	310	200	300
	15.28 x 11.34 x 6.81		Latch	15.75 x 11.81		14.17 x 10.24		14.96 x 11.02	6.50	9.84	13.78	9.45	13.39	8.66	12.20	7.87	11.81
Q403018PCIQRCCR	388 x 288 x 173	Clear	QR	400 x 300	Q4030PI	360 x 260	—	380 x 280	165	250	350	240	340	220	310	200	300
	15.28 x 11.34 x 6.81		Latch	15.75 x 11.81		14.17 x 10.24		14.96 x 11.02	6.50	9.84	13.78	9.45	13.39	8.66	12.20	7.87	11.81
Q603018PCIQRQR	588 x 288 x 173	Opaque	QR	600 x 300	Q6030PI	560 x 260	—	580 x 280	165	250	550	240	540	220	510	200	500
	23.15 x 11.34 x 6.81		Latch	23.62 x 11.81		22.05 x 10.24		22.83 x 11.02	6.50	9.84	21.65	9.45	21.25	8.66	20.08	7.87	19.69
Q603018PCIQRCCR	588 x 288 x 173	Clear	QR	600 x 300	Q6030PI	560 x 260	—	580 x 280	165	250	550	240	540	220	510	200	500
	23.15 x 11.37 x 6.81		Latch	23.62 x 11.81		22.05 x 10.24		22.83 x 11.02	6.50	9.84	21.65	9.45	21.26	8.66	20.08	7.87	19.69
Q604018PCIQRQR	588 x 388 x 173	Opaque	QR	600 x 400	Q6040PI	560 x 360	—	580 x 380	165	350	550	340	540	320	510	300	500
	23.15 x 15.28 x 6.81		Latch	23.62 x 15.75		22.05 x 14.17		22.83 x 14.96	6.50	13.78	21.65	13.39	21.28	12.60	20.08	11.81	19.69
Q604018PCIQRCCR	588 x 388 x 173	Clear	QR	600 x 400	Q6040PI	560 x 360	—	580 x 380	165	350	550	340	540	320	510	300	500
	23.15 x 15.28 x 6.81		Latch	23.62 x 15.75		22.05 x 14.17		22.83 x 14.96	6.50	13.78	21.65	13.39	21.26	12.60	20.08	11.81	19.69

A x B x C are internal dimensions.
Purchase panels and extension rings separately.

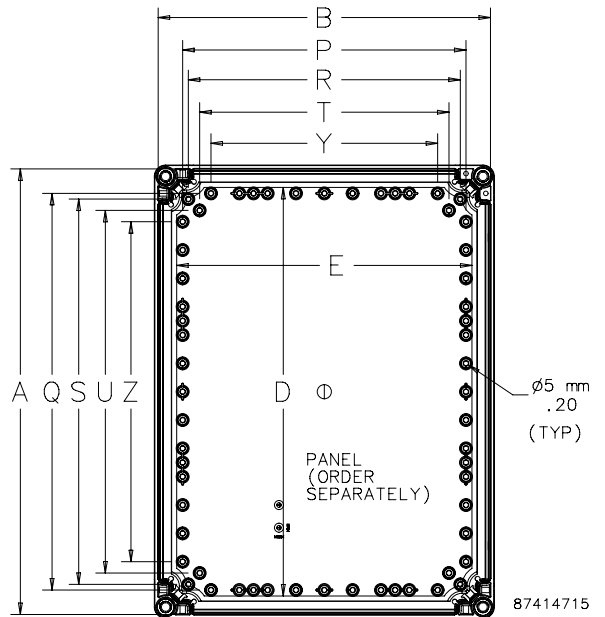
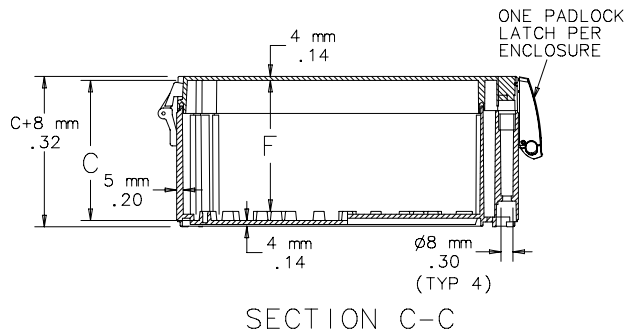
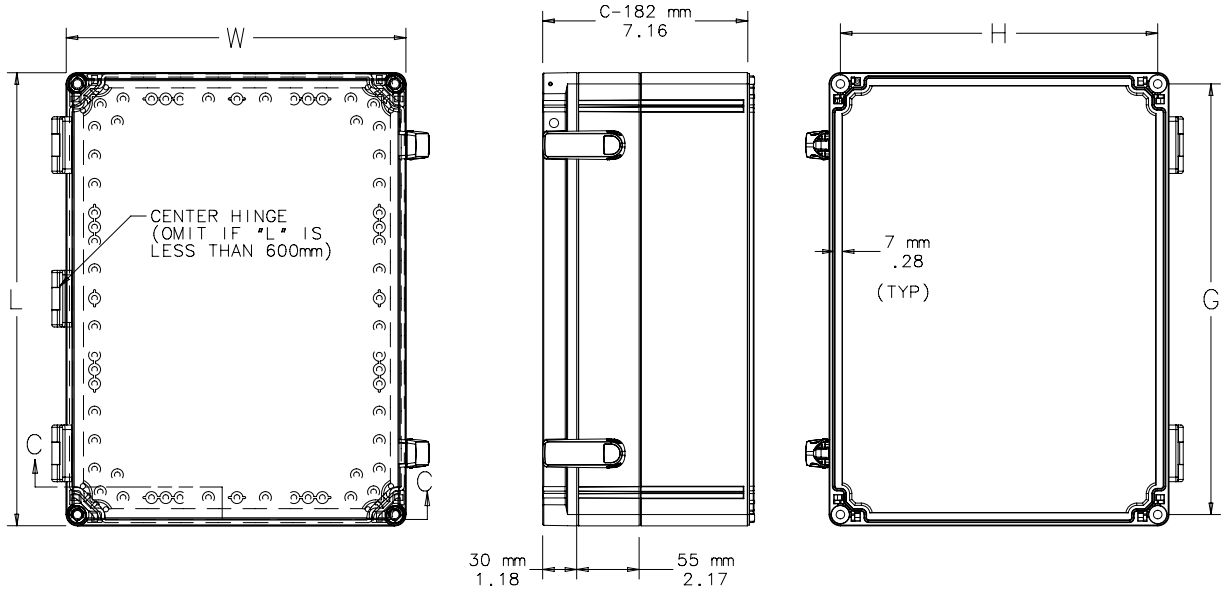
QLINE® I

Standard Product **ABS, Screw Cover**

Catalog Number	AxBxC mm/in.	Cover Style	External Dim's L x W mm/in.	Panel	Panel Size D x E mm/in.	Extension Ring	Mounting G x H mm/in.	F mm/in.	P mm/in.	Q mm/in.	R mm/in.	S mm/in.	T mm/in.	U mm/in.	Y mm/in.	Z mm/in.
Q202013ABI	188 x 188 x 123	Opaque	200 x 200	Q2020PI	160 x 160	Q2020EXTI	180 x 180	115	150	150	140	140	120	110	100	100
	7.40 x 7.40 x 4.84		7.87 x 7.87		6.30 x 6.30		7.09 x 7.09	4.53	5.91	5.91	5.51	5.51	4.72	4.33	3.94	3.94
Q202013ABICC	188 x 188 x 123	Clear	200 x 200	Q2020PI	160 x 160	Q2020EXTI	180 x 180	115	150	150	140	140	120	110	100	100
	7.40 x 7.40 x 4.84		7.87 x 7.87		6.30 x 6.30		7.09 x 7.09	4.53	5.91	5.91	5.51	5.51	4.72	4.33	3.94	3.94
Q302013ABI	288 x 188 x 123	Opaque	300 x 200	Q3020PI	260 x 160	Q3020EXTI	280 x 180	115	150	250	140	240	120	210	100	200
	11.34 x 7.40 x 4.84		11.81 x 7.87		10.24 x 6.30		11.02 x 7.09	4.53	5.91	9.84	5.51	9.45	4.72	8.27	3.94	7.87
Q302013ABICC	288 x 188 x 123	Clear	300 x 200	Q3020PI	260 x 160	Q3020EXTI	280 x 180	115	150	250	140	240	120	210	100	200
	11.34 x 7.40 x 4.84		11.81 x 7.87		10.24 x 6.30		11.02 x 7.09	4.53	5.91	9.84	5.51	9.45	4.72	8.27	3.94	7.87
Q402013ABI	388 x 188 x 123	Opaque	400 x 200	Q4020PI	360 x 160	Q4020EXTI	380 x 180	115	150	350	140	340	120	310	100	300
	15.28 x 7.40 x 4.84		15.75 x 7.87		14.17 x 6.30		14.96 x 7.09	4.53	5.91	13.78	5.51	13.39	4.72	12.20	3.94	11.81
Q402013ABICC	388 x 188 x 123	Clear	400 x 200	Q4020PI	360 x 160	Q4020EXTI	380 x 180	115	150	350	140	340	120	310	100	300
	15.28 x 7.40 x 4.84		15.75 x 7.87		14.17 x 6.30		14.96 x 7.09	4.53	5.91	13.78	5.51	13.39	4.72	12.20	3.94	11.81
Q303013ABI	288 x 288 x 123	Opaque	300 x 300	Q3030PI	260 x 260	Q3030EXTI	280 x 280	115	250	250	240	240	220	210	200	200
	11.34 x 11.34 x 4.84		11.81 x 11.81		10.24 x 10.24		11.02 x 11.02	4.53	9.84	9.84	9.45	9.45	8.66	8.27	7.87	7.87
Q303013ABICC	288 x 288 x 123	Clear	300 x 300	Q3030PI	260 x 260	Q3030EXTI	280 x 280	115	250	250	240	240	220	210	200	200
	11.34 x 11.34 x 4.84		11.81 x 11.81		10.24 x 10.24		11.02 x 11.02	4.53	9.84	9.84	9.45	9.45	8.66	8.27	7.87	7.87
Q403013ABI	388 x 288 x 123	Opaque	400 x 300	Q4030PI	360 x 260	Q4030EXTI	380 x 280	115	250	350	240	240	220	310	200	300
	15.28 x 11.34 x 4.84		15.75 x 11.81		14.17 x 10.24		14.96 x 11.02	4.53	9.84	13.78	9.45	13.39	8.66	12.20	7.87	11.81
Q403013ABICC	388 x 288 x 123	Clear	400 x 300	Q4030PI	360 x 260	Q4030EXTI	380 x 280	115	250	350	240	240	220	310	200	300
	15.28 x 11.34 x 4.84		15.75 x 11.81		14.17 x 10.24		14.96 x 11.02	4.53	9.84	13.78	9.45	13.39	8.66	12.20	7.87	11.81
Q603013ABI	588 x 288 x 123	Opaque	600 x 300	Q6030PI	560 x 260	Q6030EXTI	580 x 280	115	250	550	240	540	220	510	200	300
	23.15 x 11.34 x 4.84		23.62 x 11.81		22.05 x 10.24		22.83 x 11.02	4.53	9.84	21.65	9.45	21.26	8.66	20.08	7.87	11.81
Q603013ABICC	588 x 288 x 123	Clear	600 x 300	Q6030PI	560 x 260	Q6030EXTI	580 x 280	115	250	550	240	540	220	510	200	300
	23.15 x 11.34 x 4.84		23.62 x 11.81		22.05 x 10.24		22.83 x 11.02	4.53	9.84	21.65	9.45	21.26	8.66	20.08	7.87	11.81
Q604013ABI	588 x 388 x 123	Opaque	600 x 400	Q6040PI	560 x 360	Q6040EXTI	580 x 380	115	350	550	340	540	320	510	300	500
	23.15 x 15.28 x 4.84		23.62 x 15.75		22.05 x 14.17		22.83 x 14.96	4.53	13.78	21.65	13.39	21.26	12.60	20.08	11.81	19.69
Q604013ABICC	588 x 388 x 123	Clear	600 x 400	Q6040PI	560 x 360	Q6040EXTI	580 x 380	115	350	550	340	540	320	510	300	500
	23.15 x 15.28 x 4.84		23.62 x 15.75		22.05 x 14.17		22.83 x 14.96	4.53	13.78	21.65	13.39	21.26	12.60	20.08	11.81	19.69
Q202018ABI	188 x 188 x 173	Opaque	200 x 200	Q2020PI	160 x 160	Q2020EXTI	180 x 180	165	150	150	140	140	120	110	100	100
	7.40 x 7.40 x 6.81		7.87 x 7.87		6.30 x 6.30		7.09 x 7.09	6.50	5.91	5.91	5.51	5.51	4.72	4.33	3.94	3.94
Q202018ABICC	188 x 188 x 173	Clear	200 x 200	Q2020PI	160 x 160	Q2020EXTI	180 x 180	165	150	150	140	140	120	110	100	100
	7.40 x 7.40 x 6.81		7.87 x 7.87		6.30 x 6.30		7.09 x 7.09	6.50	5.91	5.91	5.51	5.51	4.72	4.33	3.94	3.94
Q302018ABI	288 x 188 x 173	Opaque	300 x 200	Q3020PI	260 x 160	Q3020EXTI	280 x 180	165	150	250	140	240	120	110	100	200
	11.34 x 7.40 x 6.81		11.81 x 7.87		10.24 x 6.30		11.02 x 7.09	6.50	5.91	9.84	5.51	9.45	4.72	4.33	3.94	7.87
Q302018ABICC	288 x 188 x 173	Clear	300 x 200	Q3020PI	260 x 160	Q3020EXTI	280 x 180	165	150	250	140	240	120	110	100	200
	11.34 x 7.40 x 6.81		11.81 x 7.87		10.24 x 6.30		11.02 x 7.09	6.50	5.91	9.84	5.51	9.45	4.72	4.33	3.94	7.87
Q402018ABI	388 x 188 x 173	Opaque	400 x 200	Q4020PI	360 x 160	Q4020EXTI	380 x 180	165	150	350	140	340	120	310	100	300
	15.28 x 7.40 x 6.81		15.75 x 7.87		14.17 x 6.30		14.96 x 7.09	6.50	5.91	13.78	5.51	13.39	4.72	12.20	3.94	11.81
Q402018ABICC	388 x 188 x 173	Clear	400 x 200	Q4020PI	360 x 160	Q4020EXTI	380 x 180	165	150	350	140	340	120	310	100	300
	15.28 x 7.40 x 6.81		15.75 x 7.87		14.17 x 6.30		14.96 x 7.09	6.50	5.91	13.78	5.51	13.39	4.72	12.20	3.94	11.81
Q303018ABI	288 x 288 x 173	Opaque	300 x 300	Q3030PI	260 x 260	Q3030EXTI	280 x 280	165	250	250	240	240	220	210	200	200
	11.34 x 11.34 x 6.81		11.81 x 11.81		10.24 x 10.24		11.02 x 11.02	6.50	9.84	9.84	9.45	9.45	8.66	8.27	7.87	7.87
Q303018ABICC	288 x 288 x 173	Clear	300 x 300	Q3030PI	260 x 260	Q3030EXTI	280 x 280	165	250	250	240	240	220	210	200	200
	11.34 x 11.34 x 6.81		11.81 x 11.81		10.24 x 10.24		11.02 x 11.02	6.50	9.84	9.84	9.45	9.45	8.66	8.27	7.87	7.87
Q403018ABI	388 x 288 x 173	Opaque	400 x 300	Q4030PI	360 x 260	Q4030EXTI	380 x 280	165	250	350	240	340	220	310	200	300
	15.28 x 11.34 x 6.81		15.75 x 11.81		14.17 x 10.24		14.96 x 11.02	6.50	9.84	13.78	9.45	13.39	8.66	12.20	7.87	11.81
Q403018ABICC	388 x 288 x 173	Clear	400 x 300	Q4030PI	360 x 260	Q4030EXTI	380 x 280	165	250	350	240	340	220	310	200	300
	15.28 x 11.34 x 6.81		15.75 x 11.81		14.17 x 10.24		14.96 x 11.02	6.50	9.84	13.78	9.45	13.39	8.66	12.20	7.87	11.81
Q603018ABI	588 x 288 x 173	Opaque	600 x 300	Q6030PI	560 x 260	Q6030EXTI	580 x 280	165	250	550	240	540	220	510	200	500
	23.15 x 11.34 x 6.81		23.62 x 11.81		22.05 x 10.24		22.83 x 11.02	6.50	9.84	21.65	9.45	21.26	8.66	20.08	7.87	19.69
Q603018ABICC	588 x 288 x 173	Clear	600 x 300	Q6030PI	560 x 260	Q6030EXTI	580 x 280	165	250	550	240	540	220	510	200	500
	23.15 x 11.34 x 6.81		23.62 x 11.81		22.05 x 10.24		22.83 x 11.02	6.50	9.84	21.65	9.45	21.26	8.66	20.08	7.87	19.69
Q604018ABI	588 x 388 x 173	Opaque	600 x 400	Q6040PI	560 x 360	Q6040EXTI	580 x 380	165	350	550	340	540	320	510	300	500
	23.15 x 15.28 x 6.81		23.62 x 15.75		22.05 x 14.17		22.83 x 14.96	6.50	13.78	21.65	13.39	21.26	12.60	20.08	11.81	19.69
Q604018ABICC	588 x 388 x 173	Clear	600 x 400	Q6040PI	560 x 360	Q6040EXTI	580 x 380	165	350	550	340	540	320	510	300	500
	23.15 x 15.28 x 6.81		23.62 x 15.75		22.05 x 14.17		22.83 x 14.96	6.50	13.78	21.65	13.39	21.26	12.60	20.08	11.81	19.69

QLINE® I

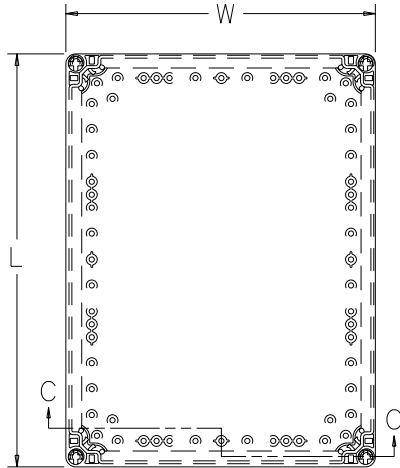
QLINE I Polycarbonate and ABS Type 4X Enclosures with Quick-Release Latches Dimension Drawing



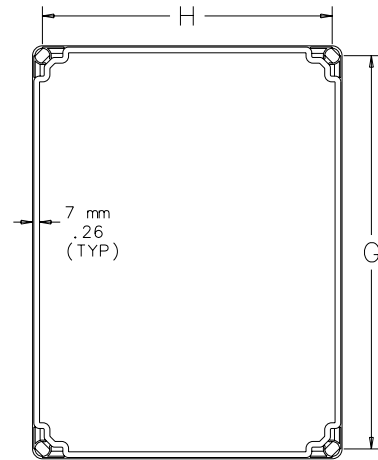
TOP VIEW WITH COVER REMOVED

QLINE® I

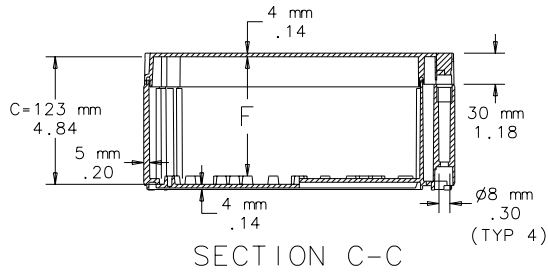
QLINE I Polycarbonate and ABS Screw Cover Dimension Drawing



TOP VIEW

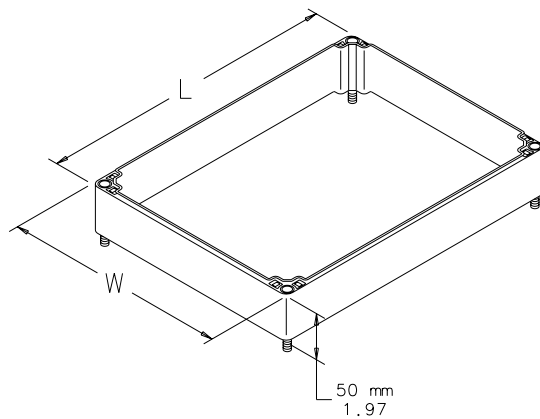


BOTTOM VIEW

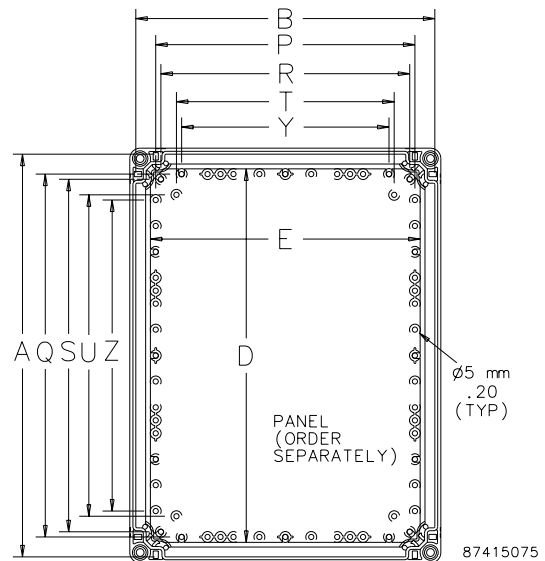


SECTION C-C

NOTE: Panel screws are M5 pan head.



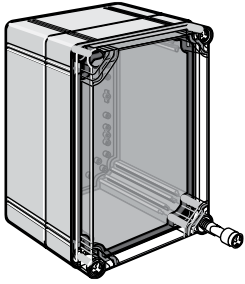
OPTIONAL EXTENSION RING



TOP VIEW WITH COVER REMOVED

QLINE® I

Cover Screw Kit

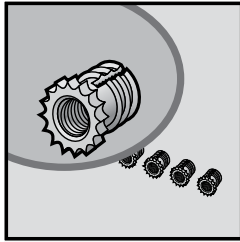


Screws are polyamide. Wing-head-style screws provide rapid access to enclosure interior without requiring special tools to open. Kit includes four polyamide cover screws and four self-tapping, plated panel screws. Tamper-resistant screws have molded 3-mm double-bit drive; kit includes four cover screws, one key and four self-tapping, plated panel screws. Use on all QLINE® I enclosures.

Bulletin: Q41Y

Catalog Number	Description
QIWHSK	wing-head screw
QITSK	3-mm tamper-resistant double-bit

Brass Insert Kit

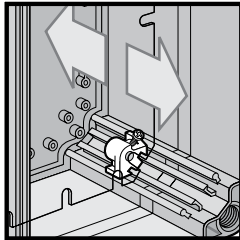


Four M5 self-tapping brass inserts screw into molded pads in bottom of enclosure. Inserts have M3 internal thread.

Bulletin: Q41Y

Catalog Number
QBIK

Panel Depth Fitting



Panel Depth Fitting attaches to corner molded rails of enclosure to facilitate full-range front-to-back panel adjustment. Package includes four polyamide fittings and plated screws. Use on all QLINE I enclosures.

Bulletin: Q41Y

Catalog Number
QIPDF

Swing Panel



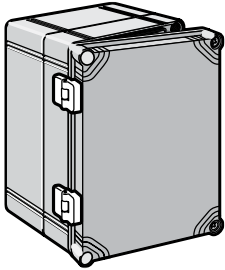
Adjustable-depth aluminum swing panels, for use in QLINE® I polycarbonate enclosures, provide a convenient way to install controls and instruments near enclosure body opening while providing access and security. Suitable applications include water, pulp and paper, petroleum and chemical processing, food, packaging and pharmaceutical applications.

Bulletin: Q41Y

Catalog Number	Panel Size D x E mm/in.	Fits Enclosure Size A x B mm/in.	Hinged Side of Enclosure
QIHFP22A	186 x 180	200 x 200	200
	7.32 x 7.09	7.87 x 7.87	
QIHFP23A	186 x 280	300 x 200	200
	7.32 x 11.02	11.81 x 7.87	
QIHFP32A	286 x 180	300 x 200	300
	11.26 x 7.09	11.81 x 7.87	
QIHFP42A	386 x 180	400 x 200	400
	15.20 x 7.09	15.75 x 7.87	
QIHFP33A	286 x 280	300 x 300	300
	11.26 x 11.02	11.81 x 11.81	
QIHFP43A	386 x 280	400 x 300	400
	15.20 x 11.02	15.75 x 11.81	
QIHFP63A	586 x 280	600 x 300	600
	23.07 x 11.02	23.62 x 11.81	
QIHFP64A	586 x 380	600 x 400	600
	23.07 x 14.96	23.62 x 15.75	

QLINE® I

Hinge Kit

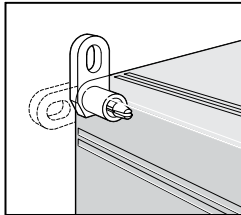


Hinge Kit includes two polyamide hinges, eight M4 self-tapping plated screws, eight flat washers and drilling template. Use on all QLINE® I enclosures.
Hinge Kit meets Type 4 requirements. Three hinges required for 600-mm sides.

Bulletin: Q41Y

Catalog Number
QIHK

Mounting Bracket Kit

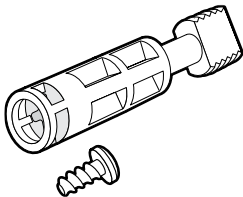


Mounting Bracket Kit has four polycarbonate brackets and four M3 self-tapping, plated screws. Kit is field-installable. Use on all QLINE® I Enclosures. Maintains listed ratings for enclosure.

Bulletin: Q41Y

Catalog Number
QIMFK

Hardware Kit

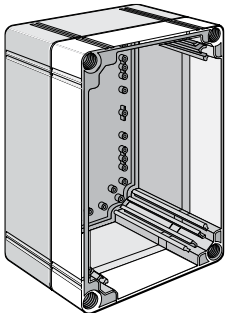


Hardware Kit includes four polyamide cover screws and four self-tapping, plated panel screws. This kit is offered as a replacement kit for lost or damaged hardware originally furnished with the enclosure.

Bulletin: Q41Y

Catalog Number	Description
QIHK424	42-mm screws

Extension Rings

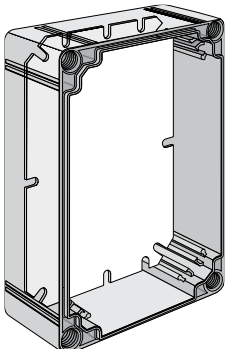


Extension rings can be added to QLINE® I enclosures to provide additional 50-mm to enclosure depth. Extension rings are polycarbonate and cannot be used with quick-release latches.

Bulletin: Q41Y

Catalog Number
Q2020EXTI
Q3020EXTI
Q3030EXTI
Q4020EXTI
Q4030EXTI
Q6030EXTI
Q6040EXTI

Panels



Bulletin: Q41Y

Catalog Number	Panel Size D x E (mm)	Panel Size D x E (in.)
Q2020PI	160 x 160	6.30 x 6.30
Q3020PI	260 x 160	10.24 x 6.30
Q3030PI	260 x 260	10.24 x 10.24
Q4020PI	360 x 160	14.17 x 6.30
Q4030PI	360 x 260	14.17 x 10.24
Q6030PI	560 x 360	22.05 x 10.24
Q6040PI	260 x 260	22.05 x 14.17