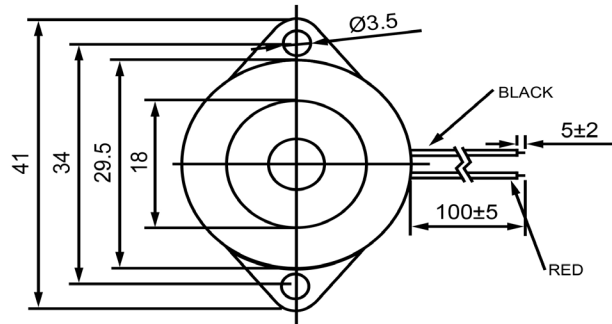


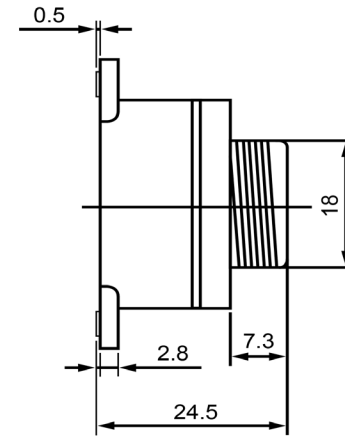
TOP VIEW





SIDE VIEW (1)



SIDE VIEW (2)



Specifications			Notes	Revision History													
Description	Value	Unit		Version	Description	Date	Approved										
Technology	Piezo		1) All dimensions are in mm unless otherwise noted 2) All parts meet RoHS	1	Released from Engineering	10/21/2013	J.S										
Resonant Frequency	3,500	(Hz)															
Rated Voltage	12	(V)															
SPL @ 10cm	105	(dBA)															
Tone	Single																
Mount Type	Flange Mount																
Voltage Range	3 ~ 28	(V)															
Max Rated Current	15	(mA)															
Housing Material	ABS																
Operating Temperature	-20 ~ +60	°C															
Storage Temperature	-30 ~ +70	°C															
Weight	15	(g)															
						Drawn by A.B.		Date 10/21/2013		Checked by C.E.		Date 10/21/2013		Approved by J.S		Date 10/21/2013	
						IP293512-1											