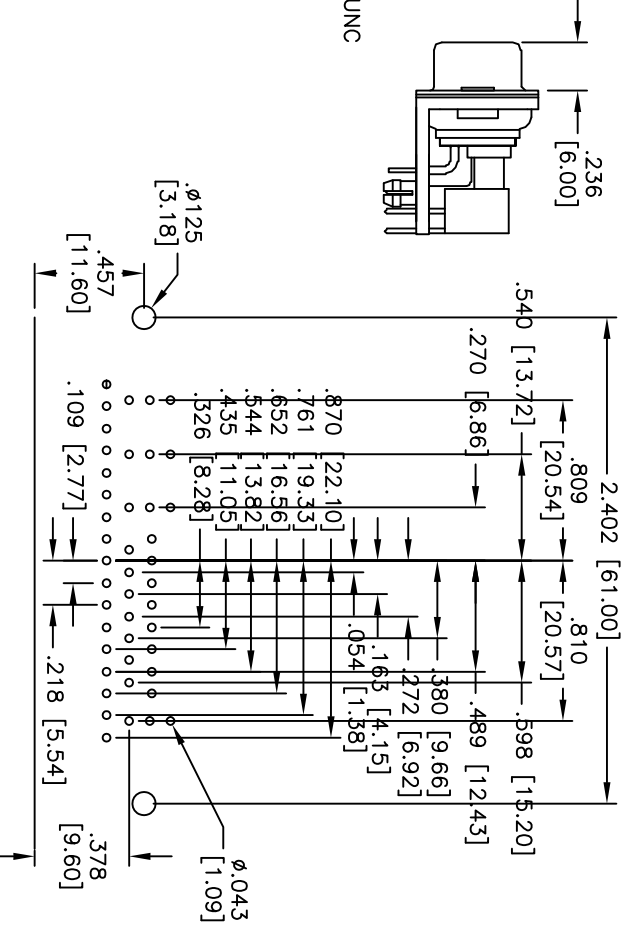
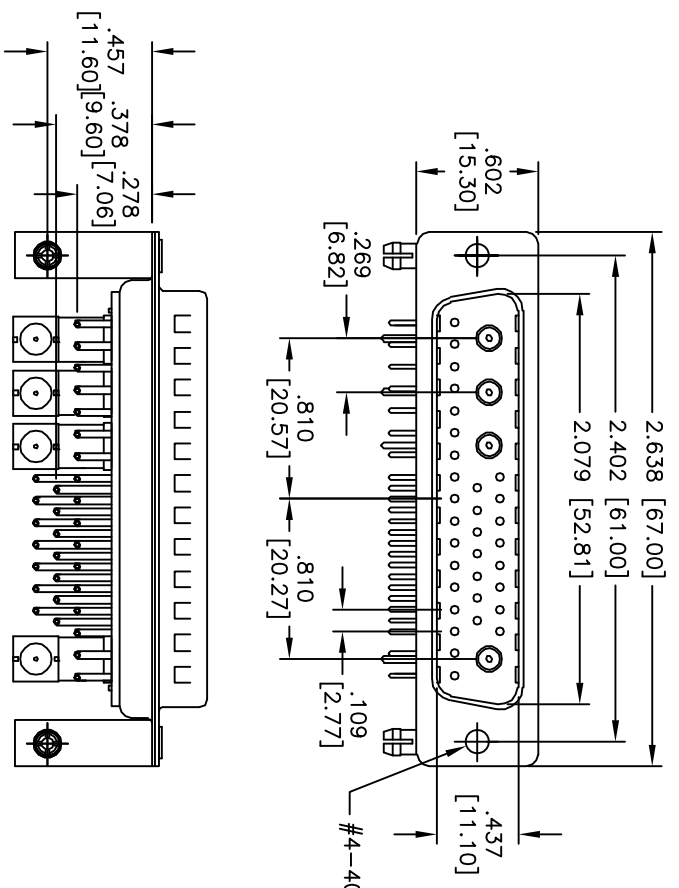


Rev	AWO #	Description	Date	Appr
-		RELEASED	2/03/10	

APPROVED: _____
 DATE: _____ TITLE: _____



RECOMMENDED PCB LAYOUT

SPECIFICATIONS:

- Material:** Insulator: PBT, glass reinforced, rated UL 94V-0
- Insulator color: Black
- Signal Contact: Brass, Gold plated
- Metal Bracket: Steel, Nickel plated
- Metal Shell: Steel, Nickel plated
- Plating:** Gold over Nickel underplate overall
- Electrical:** Signal contact: 5 Amp max
- Insulation resistance: 10 mohms max
- Insulation resistance: 5,000 Mohms min
- Dielectric withstanding voltage: 1,000 VAC for 1 minute
- Environmental:** Temperature Rating: Operating temperature: -55°C to +125°C
- Lead free, RoHS compliant
- Recommended soldering temp: 235°C for 5 seconds

ADAM TECH

909 Rahway Avenue, Union, NJ 07083
 Phone: 908-687-5000 Fax: 908-687-5710

TITLE: D-SUB CONNECTOR, SIGNAL-COAX TYPE,
 PLUG, RIGHT ANGLE, PCB

UNLESS OTHERWISE SPECIFIED ALL DIMENSIONS ARE IN INCHES [MM]		TOLERANCES EXCEPT AS NOTED	
INCHES		HOLDS	
.X	± .10	ØX	± .10
.XX	± .020	ØXX	± .015
.XXX	± .015	ØXXX	± .010
APPROVALS		DATE	
DRAWN	DY	2/03/10	
CHECKED			
APPROVED			
SIZE	PART NO.	SCALE	REV.
X	D36W4-PL-1-4-BL	NTS	-
REF: S0019T		SHEET 1 OF 1	

