

# SMD Power Inductor CDRH129B



Halogen Free



## Description

- Ferrite drum core construction.
- Magnetically shielded.
- L × W × H: 12.5 × 12.5 × 9.0 mm Max.
- Product weight: 4.5g(Ref.)
- Moisture Sensitivity Level: 1
- RoHS compliance.
- Halogen Free available.

## Environmental Data

- Operating temperature range: -40°C ~ +125°C (including coil's self temperature rise)
- Storage temperature range: -40°C ~ +125°C
- Solder reflow temperature: 260 °C peak.

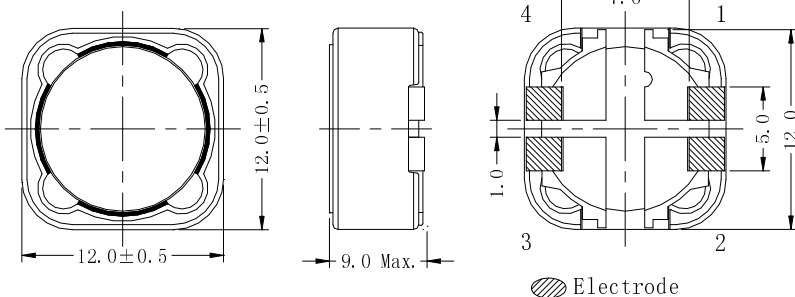
## Packaging

- Carrier tape and reel packaging.
- 13" diameter reel.
- 300pcs per reel.

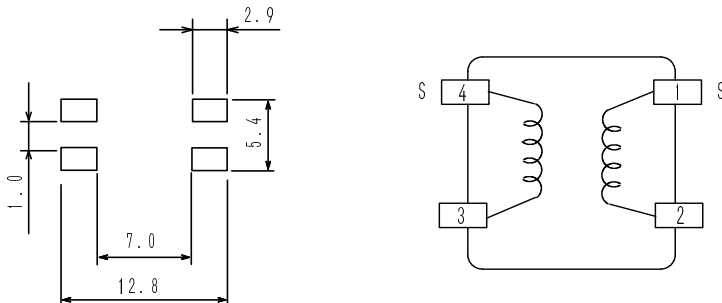
## Applications

- Ideally used in LED lighting, DC/DC Converters and Transformer etc.

## Dimension - [mm]



## Land pattern and Schematics - [mm]



## Electrical Characteristics

		Measuring condition	
Inductance	(1-2)	150 $\mu$ H $\pm$ 20% Within	1kHz, 1V
	(4-3)	40 $\mu$ H $\pm$ 20% Within	1kHz, 1V
D.C.R.	(1-2)	0.23 $\Omega$ Max.(0.18 $\Omega$ Typ.)	at 20°C
	(4-3)	0.66 $\Omega$ Max.(0.53 $\Omega$ Typ.)	at 20°C
Saturation Current ※1	(1-2)	2.1A	
	(4-3)	3.5A	
Temperature rise Current ※2	(1-2)	2.0A	
	(4-3)	1.0A	

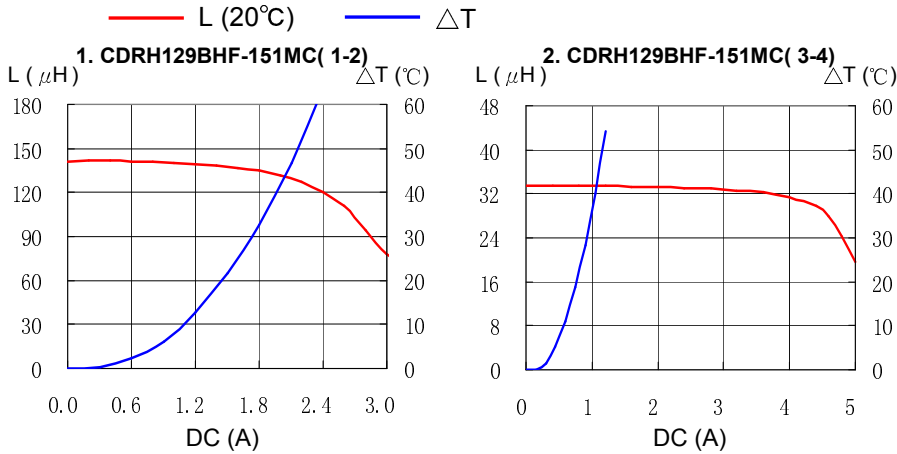
※1 The saturation current: This indicates the value of DC current when the inductance decreases to 70% of its nominal.

※2 Temperature rise current: The value of DC current when the temperature rise is  $\Delta T = 40^\circ\text{C}$  ( $T_a = 20^\circ\text{C}$ ).

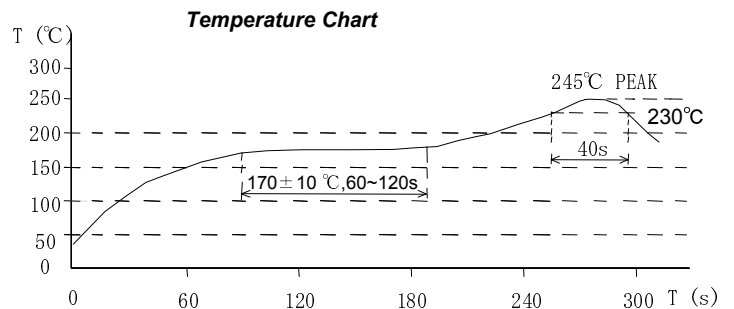
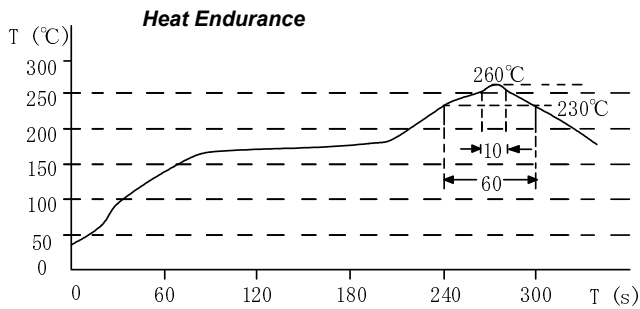
# SMD Power Inductor CDRH129B



## Saturation Current & Temperature Rise Graph



## Solder Reflow Condition



Please refer to the sales offices on our website - <http://www.sumida.com>

### Hong Kong

Tel. +852-2880-6688  
FAX. +852-2565-9600  
[sales@hk.sumida.com](mailto:sales@hk.sumida.com)

### Tokyo

Tel. +81-3-5202-7112  
FAX. +81-3-5202-7105  
[sales@jp.sumida.com](mailto:sales@jp.sumida.com)

### Chicago

Tel. +1-847-545-6700  
FAX. +1-847-545-6720  
[sales@us.sumida.com](mailto:sales@us.sumida.com)

### Shanghai

Tel. +86-021-5836-3299  
FAX. +86-021-5836-3266  
[shanghai.sales@cn.sumida.com](mailto:shanghai.sales@cn.sumida.com)

### Seoul

Tel. +82-2-6237-0777  
FAX. +82-2-6237-0778  
[sales@kr.sumida.com](mailto:sales@kr.sumida.com)

### Oberzell

Tel. +49-8591-937-0  
FAX. +49-8591-937-103  
[contact@sumida-eu.com](mailto:contact@sumida-eu.com)

### Shenzhen

Tel. +86-755-8291-0228  
FAX. +86-755-8291-0338  
[shenzhen.sales@cn.sumida.com](mailto:shenzhen.sales@cn.sumida.com)

### Singapore

Tel. +65-6296-3388  
FAX. +65-6296-3390  
[sales@sg.sumida.com](mailto:sales@sg.sumida.com)

### Neumarkt

Tel. +49-9181-4509-110  
FAX. +49-9181-4509-310  
[infocomp@eu.sumida.com](mailto:infocomp@eu.sumida.com)

### Taipei

Tel. +886-2-8751-2737  
FAX. +886-2-8751-2738  
[sales@tw.sumida.com](mailto:sales@tw.sumida.com)

### San Jose

Tel. +1-408-321-9660  
FAX. +1-408-321-9308  
[sales@us.sumida.com](mailto:sales@us.sumida.com)