



**BTB24A**

Preliminary

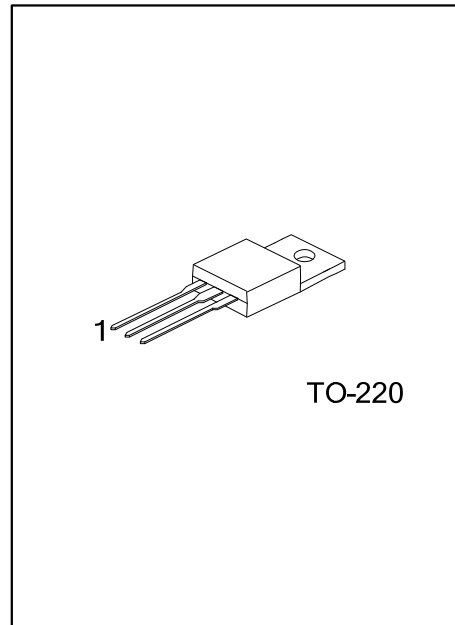
**TRIAC**

**25A TRIACS**

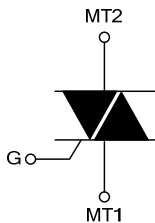
■ DESCRIPTION

The UTC **BTB24A** is a 25A triacs which can be operated in 3 quadrants only, it uses UTC's advanced technology to provide customers with high commutation performances and voltage insulated tab, etc.

The UTC **BTB24A** is suitable for inductive load switching operations, also can be used in ON/OFF function applications such as induction motor starting circuits, heating regulation, static relays etc.



■ SYMBOL



■ ORDERING INFORMATION

Ordering Number		Package	Pin Assignment			Packing
Lead Free	Halogen Free		1	2	3	
BTB24AL-x-xx-TA3-T	BTB24AG-x-xx-TA3-T	TO-220	MT1	MT2	G	Tube

<p>BTB24AL-x-xx-TA3-T</p> <ul style="list-style-type: none"> <li>(1)Packing Type</li> <li>(2)Package Type</li> <li>(3)Sensitivity and type</li> <li>(4)Voltage</li> <li>(5)Lead Free</li> </ul>	<ul style="list-style-type: none"> <li>(1) T: Tube</li> <li>(2) TA3: TO-220</li> <li>(3) refer to SENSITIVITY AND TYPE</li> <li>(4) 6: 600V, 8: 800V</li> <li>(5) L: Lead Free, G: Halogen Free</li> </ul>
---	--

■ SENSITIVITY AND TYPE

PART NUMBER	VOLTAGE		SENSITIVITY	TYPE
	600V	800V		
BW	⊙	⊙	50mA	SNUBBERLESS
CW	⊙	⊙	35mA	SNUBBERLESS

⊙: Available

■ MARKING INFORMATION

PACKAGE	MARKING
TO-220	<p>UTC BTB24A □ □□□□□□ Lot Code ← → Data Code</p> <p>L: Lead Free G: Halogen Free</p>

■ ABSOLUTE MAXIMUM RATINGS

PARAMETER		SYMBOL	RATINGS	UNIT
RMS On-State Current (Full Sine Wave)	$T_C=75^\circ\text{C}$	$I_{T(RMS)}$	25	A
Non Repetitive Surge Peak On-State Current (Full Cycle, $T_J$ initial= $25^\circ\text{C}$ )	F=50 Hz t=20ms	$I_{TSM}$	250	A
	F=60 Hz t=16.7ms		260	A
$I^2t$ Value for Fusing	$t_p=10\text{ms}$	$I^2t$	340	$\text{A}^2\text{s}$
Critical Rate of Rise of On-State Current $I_G=2I_{GT}$ , $t_r \leq 100\text{ns}$	F=120 Hz $T_J=125^\circ\text{C}$	dI/dt	50	A/ $\mu\text{s}$
Non Repetitive Surge Peak Off-State Voltage	$t_p=10\text{ms}$ $T_J=25^\circ\text{C}$	$V_{DSM}/V_{RSM}$	$V_{DRM}/V_{RRM}+100$	V
Peak Gate Current	$t_p=20\mu\text{s}$ $T_J=125^\circ\text{C}$	$I_{GM}$	4	A
Average Gate Power Dissipation	$T_J=125^\circ\text{C}$	$P_{G(AV)}$	1	W
Operating Junction Temperature		$T_J$	-40~+125	$^\circ\text{C}$
Storage Junction Temperature		$T_{STG}$	-40~+150	$^\circ\text{C}$

Note: Absolute maximum ratings are those values beyond which the device could be permanently damaged. Absolute maximum ratings are stress ratings only and functional device operation is not implied.

■ THERMAL RESISTANCES

PARAMETER	SYMBOL	RATINGS	UNIT
Junction to Ambient	$\theta_{JA}$	60	$^\circ\text{C}/\text{W}$
Junction to Case (AC)	$\theta_{JC}$	0.8	$^\circ\text{C}/\text{W}$

■ ELECTRICAL CHARACTERISTICS ( $T_J=25^\circ\text{C}$  unless otherwise specified.)

PARAMETER	SYMBOL	TEST CONDITIONS	CW			BW			UNIT
			MIN	TYP	MAX	MIN	TYP	MAX	
<b>SNUBBERLESS TYPE (3 QUADRANTS)</b>									
Gate Trigger Current (Note 1)	$I_{GT}$	$V_D=12\text{V}$ , $R_L=33\Omega$	I-II-III		35			50	mA
Gate Trigger Voltage	$V_{GT}$		I-II-III		1.3			1.3	V
Gate Non-Trigger Voltage	$V_{GD}$	$V_D=V_{DRM}$ , $R_L=3.3\text{k}\Omega$ , $T_J=125^\circ\text{C}$	I-II-III	0.2			0.2		V
Holding Current (Note 2)	$I_H$	$I_T=500\text{mA}$			50			75	mA
Latching Current	$I_L$	$I_G=1.2I_{GT}$	I-III		70			80	mA
			II		80			100	mA
Critical Rate of Rise of Off-State Voltage (Note 2)	dV/dt	$V_D=67\%V_{DRM}$ , Gate Open, $T_J=125^\circ\text{C}$		500			1000		V/ $\mu\text{s}$
Critical Rate of Rise of Off-State Voltage at Commutation (Note 2)	(dI/dt) <sub>c</sub>	Without Snubber, $T_J=125^\circ\text{C}$		13			22		A/ms

■ STATIC CHARACTERISTICS

PARAMETER	SYMBOL	TEST CONDITIONS	MIN	TYP	MAX	UNIT
Peak On-State Voltage (Note 2)	$V_{TM}$	$I_{TM}=35\text{A}$ , $t_p=380\mu\text{s}$		$T_J=25^\circ\text{C}$		1.55 V
Threshold Voltage (Note 2)	$V_{TO}$			$T_J=125^\circ\text{C}$		0.85 V
Dynamic Resistance (Note 2)	$R_D$			$T_J=125^\circ\text{C}$		16 m $\Omega$
Repetitive Peak Off-State Current	$I_{DRM}$	$V_{DRM}=V_{RRM}$		$T_J=25^\circ\text{C}$		5 $\mu\text{A}$
	$I_{RRM}$			$T_J=125^\circ\text{C}$		3 mA

Note: 1. Minimum  $I_{GT}$  is guaranteed at 5% of  $I_{GT}$  max.  
2. For both polarities of MT2 referenced to MT1.

UTC assumes no responsibility for equipment failures that result from using products at values that exceed, even momentarily, rated values (such as maximum ratings, operating condition ranges, or other parameters) listed in products specifications of any and all UTC products described or contained herein. UTC products are not designed for use in life support appliances, devices or systems where malfunction of these products can be reasonably expected to result in personal injury. Reproduction in whole or in part is prohibited without the prior written consent of the copyright owner. The information presented in this document does not form part of any quotation or contract, is believed to be accurate and reliable and may be changed without notice.