



2MM

Motor Protector/Thermal Cut-Out

KEY BENEFITS

Field proven reliable and repeatable snap-action bimetal actuation.

Low profile shape for close coupling to on- or in-winding application.

On customer request additional sleeve available.

Competitive performance-price ratio

KLIXON
®

Sensata Technologies builds the 2MM motor protector to meet almost any requirement of protection in a wide range of small motors, small transformers, solenoids, etc..

This compact motor protector is the best solution to protect the wide variety of motors used in industrial and domestic appliances against locked rotor and overload situations.

Design and operating principles

The motor protector 2MM consists of a metal housing that holds and protects the inner components against infiltration as well as mechanical deformation.

The can contains the calibrated Klixon® disc carrying a silver contact. The fixed contact is placed on the opposite side, separated from the terminal by an insulator.

The 2MM is available in two versions: with epoxy insulation and with additional sleeve.

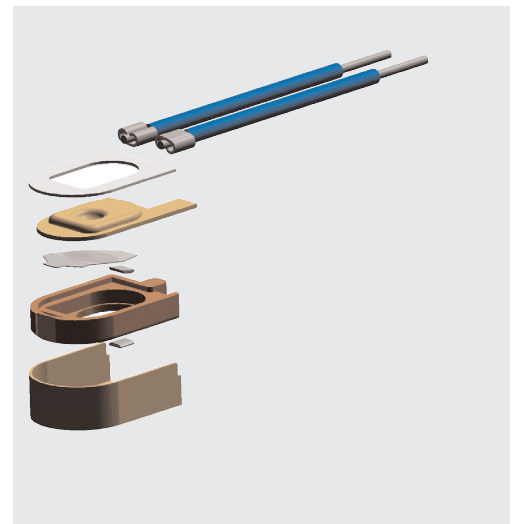
The operating principle of the 2MM is both simple and effective. A current flows through the resistive Klixon® bimetal disc. When a fault condition occurs, the increased current and ambient temperature make the bimetal disc snap open the contacts. The contacts close again automatically as the device cools down to a safe running temperature.

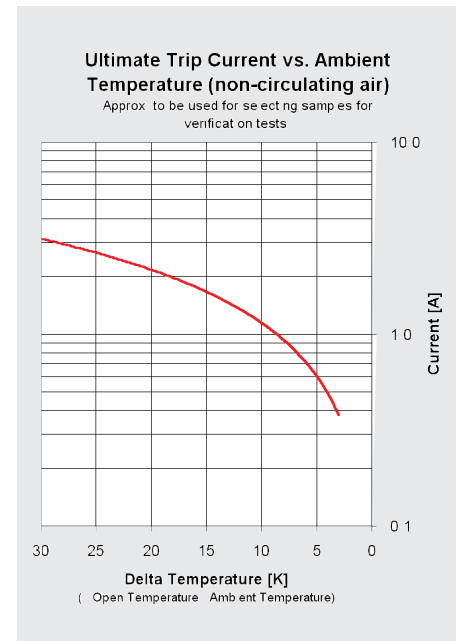
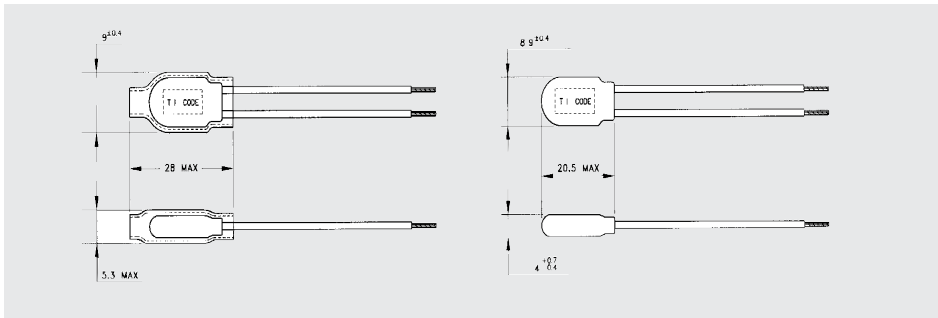
Applications

The 2MM operates as a sensitive safety cut-out for applications like:

- Small motors
- Coils
- Solenoid valves
- Transformers

In single phase motors it can be mounted directly in the main circuit to serve as on- or in-winding protector. Its compact size provides ease of installation, even in small spaces. At this time there is practically no small motor the 2MM cannot protect against overheating and overloading. Sensata Technologies 2MM provides you with a cost effective solution in terms of maximum quality and reliability.





Coding System

(N)2MMT	XXX	YYY
---------	-----	-----

70	100	130	160
75	105	135	
80	110	140	
85	115	145	
90	120	150	
95	125	155	

--

* Size and length on customer request

N2MM (naked version)

Available also: Doublet and Triplet types

Specifications

Standard operating temperature range	from 70°C - 160°C in 5K steps
Tolerance on open temperature	± 10K
Max. Ambient temperature	175°C
Differential	20K minimum

Maximum Contact rating

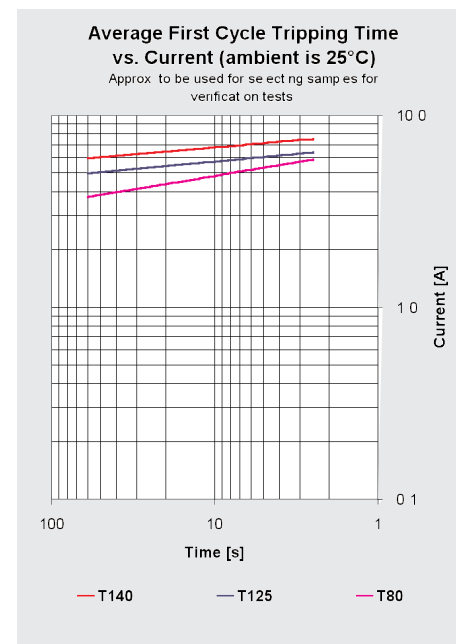
7.0 (2.0) A 250 Vac (3.000 cycles)

Certifications

Agency	File number	Standard	Note
UL / C-UL	E 15962	UL2111 / CSA C22.2 No. 77	Motor protecting device
ENEC	2014531.06	EN60730-2-9	Thermal Cut-Out
ENEC	2014531.06	EN60730-2-2	Thermal Motor Protector

Declarations

Declarations to EN60730-2-9		Declarations to EN60730-2-2	
Purpose of the control	Thermal Cut-Out	Purpose of the control	Thermal Motorprotector
Construction	Incorporated, non-electronic		
Degree of protection	IP00		
Terminals for ext. conductors	For internal conductors only		
Temperature limits of the switchhead	175°C		
PTI of insulation materials	Int: PTI 175 Ext: PTI 250	PTI of insulation materials	Int: PTI 175 Ext: PTI 250
Method of mounting	On-winding or by special means in the appliance	Method of mounting	On-winding or by special means in the appliance
Operating time	For continuous operation		
Type of action	Type 2B	Type of action	Type 3C
Reset characteristic	Automatic	Reset characteristic	Automatic
Extent of sensing element	Whole control		
Control pollution degree	Epoxy version: Degree 3 Naked version: Degree 2	Control pollution degree	Epoxy version: Degree 3 Naked version: Degree 2



TECHNICAL / SALES SUPPORT

