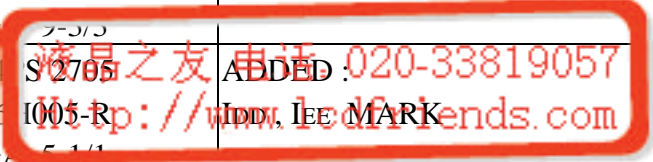


RECORD OF REVISION

DATE	SHEET No.	SUMMARY
SEP.10.'98	7B64PS 2704~2709 SR16H005-R PAGA 4-1/1~ PAG 7-3/3	CHANGED : SYMBOL YD IS REPLACED BY FLM.
	7B64PS 2705 SR16H005-R PAGA 5-1/1	ADDED : IDD, IEE MARK
	7B64PS 2709 SR16H005-R PAGA 9-3/3	CHANGED : 4. DISP . OFF → <u>DISP . OFF</u> 11. GND → GND (VSS) : DEFINE THE SYMBOL VSS 12. YD → FLM : FRAME CLOCK (FIRST LINE MARKER)



3. MECHANICAL DATA

- | | |
|----------------------------|---|
| (1) PART NAME | SR16H005-R |
| (2) MODULE SIZE | 176.9 (W)mm * 75.2 (H)mm * 7.8 (D)mm MAX. |
| (3) EFFECTIVE DISPLAY AREA | 155.6 min. * 59.6 min. |
| (4) DOT SIZE | 0.225 (W)mm * 0.225 (H)mm |
| (5) DOT PITCH | 0.24 (W)mm * 0.24 (H)mm |
| (6) NUMBER OF DOTS | 640 (W) * 240 (H) DOTS |
| (7) DUTY | 1/240 |
| (8) BIAS | 1/13 |
| (9) LCD | FILM TYPE BLACK/WHITE (POSITIVE TYPE)
THE UPPER POLARIZER IS GLARE TYPE.
THE BOTTOM POLARIZER IS REFLECTIVE
TYPE |
| (10) VIEWING DIRECTION | 6 O'CLOCK |

4. ABSOLUTE MAXIMUM RATINGS

4.1 ELECTRICAL ABSOLUTE MAXIMUM RATINGS. VSS=0V:STANDARD

ITEM	SYMBOL	MIN.	MAX.	UNIT	COMMENT
POWER SUPPLY FOR LOGIC	VDD-VSS	-0.3	7.0	V	
POWER SUPPLY FOR LC DRIVE	VDD-V0	0	27.5	V	
INPUT VOLTAGE	Vi	-0.3	VDD+0.3	V	NOTE 1,2

NOTE 1. $\overline{\text{DISP.OFF}}$, FLM, LOAD, CP, D0~D3, M.

NOTE 2. MAKE CERTAINS YOU ARE GROUNDED WHEN HANDLING LCM.

4.2 ENVIRONMENTAL ABSOLUTE MAXIMUM RATINGS.

I T E M	OPERATING		STORAGE		COMMENT
	MIN.	MAX.	MIN.	MAX.	
AMBIENT TEMPERATURE	0°C	40°C NOTE 4	-20°C	60°C NOTE 4	NOTE 2,3,4
HUMIDITY	NOTE 1		NOTE 1		WITHOUT CONDENSATION
CORROSIVE GAS	NOT ACCEPTABLE		NOT ACCEPTABLE		

NOTE (1) 40°C85%RH.....150HRS(POLARIZER & ADHESIVE TAPE DAMAGE ACCEPTED)
40°C85%RH.....48HRS(POLARIZER & ADHESIVE TAPE DAMAGE NO ACCEPTED)

NOTE (2) STORAGE TEMPERATURE FOR 48HRS BELOW -20°C, AIR BUBBLES WILL OCCUR. BUT IT WILL RECOVER WITHIN 150HRS AT 25+/-5°C.

NOTE (3) BACKGROUND COLOR CHANGES SLIGHTLY DEPENDING ON AMBIENT TEMPERATURE. THIS PHENOMENON IS REVERSIBLE.

NOTE (4) THERE ARE POSSIBLITY THAT COLOR UN-UNIFORMITY HAPPENED WHILE OPERATING AT 40°C.

5. ELECTRICAL CHARACTERISTICS

5.1 ELECTRICAL CHARACTERISTICS

I T E M	SYMBOL	CONDITION	MIN.	TYP.	MAX.	UNIT
POWER SUPPLY VOLTAGE FOR LOGIC	VDD-VSS	-	0.9*3.3	3.3	1.1*3.3	V
POWER SUPPLY VOLTAGE FOR LC DRIVING	VEE-VSS	-	-	-20.1	-	V
INPUT VOLTAGE NOTE 1	VI	H LEVEL	0.8VDD	-	VDD	V
		L LEVEL	0	-	0.2VDD	V
POWER SUPPLY CURRENT FOR LOGIC NOTE 2	I _{DD}	VDD-VSS=3.3V VEE-VSS=-20.1V	-	(2.5)	-	mA
POWER SUPPLY CURRENT FOR LC DRIVING NOTE 2	I _{EE}	VDD-VSS=3.3V VEE-VSS=-20.1V	-	(1.5)	-	mA
RECOMMENDED		Ta= 0°C , φ=0°	-	24.5	-	A

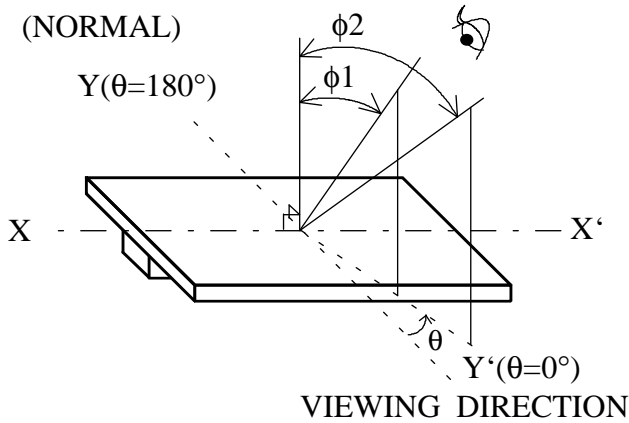
6. OPTICAL CHARACTERISTICS

6.1 LCM Ta=25°C

ITEM	SYMBOL	CONDITIONAL	MIN.	TYP.	MAX.	UNIT	NOTE
VIEWING AREA	$\phi 2-\phi 1$	$K \geq 2.0$	-	40	-	deg	1,2
CONTRAST RATIO	K	$\phi=0^\circ, \theta=0^\circ$	-	(10)	-	-	3
RESPONSE TIME (RISE)	tr	$\phi=0^\circ, \theta=0^\circ$	-	250	-	ms	4
RESPONSE TIME (FALL)	tf	$\phi=0^\circ, \theta=0^\circ$	-	350	-	ms	4

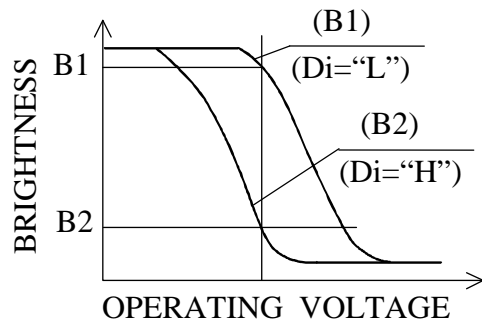
(MEASURE CONDITION BY HITACHI)

NOTE 1. DEFINITION OF θ AND ϕ
(NORMAL)

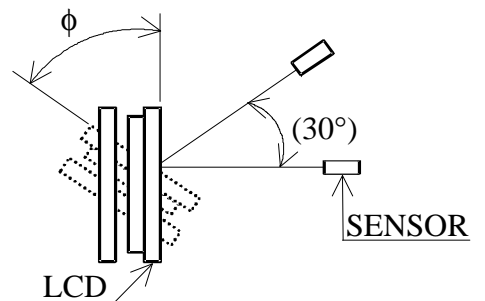
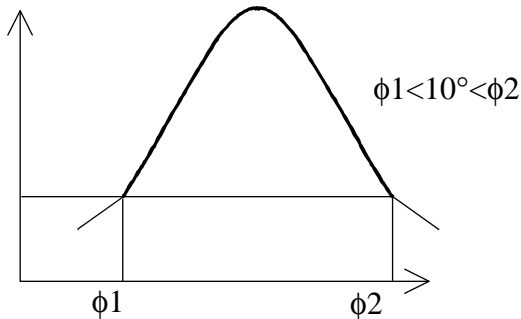


NOTE 3. DEFINITION OF CONTRAST "K"

$$K = \frac{\text{BRIGHTNESS ON SELECTED DOT (B1)}}{\text{BRIGHTNESS ON NON-SELECTED DOT (B2)}}$$

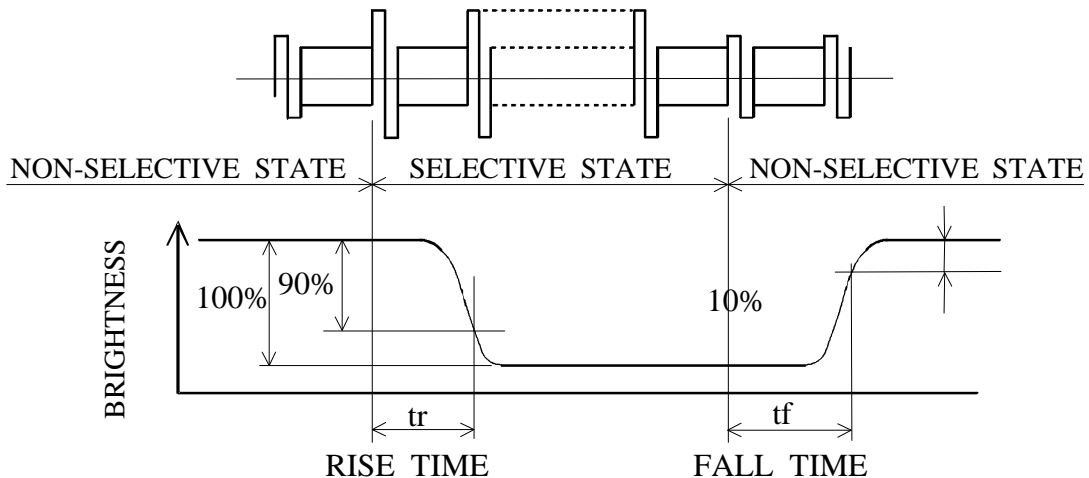


NOTE 2. DEFINITION OF VIEWING ANGLE $\phi 1$ AND $\phi 2$

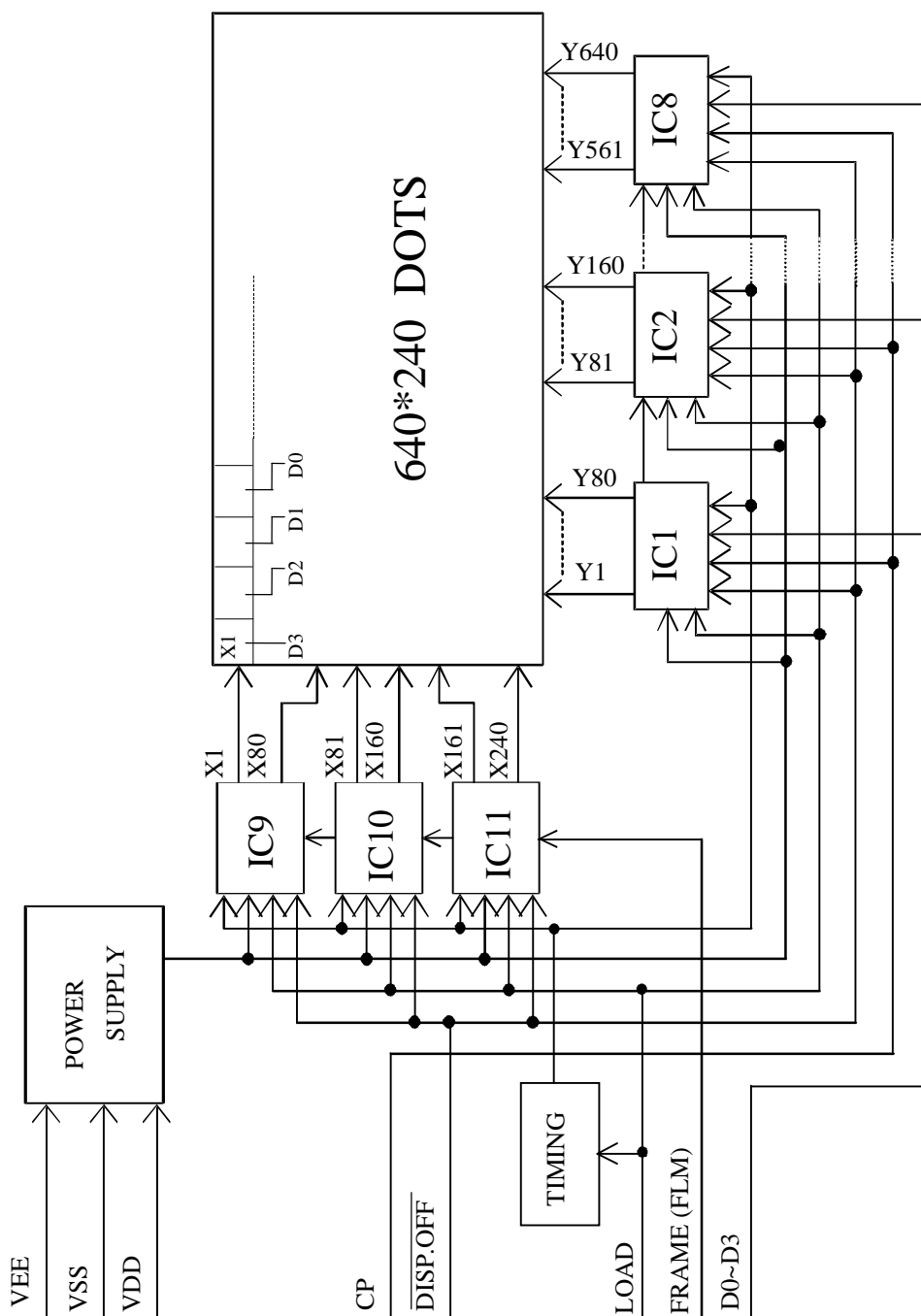


CONTRAST RATIO K VS VIEWING ANGLE ϕ

NOTE 4. DEFINITION OF OPTICAL RESPONSE

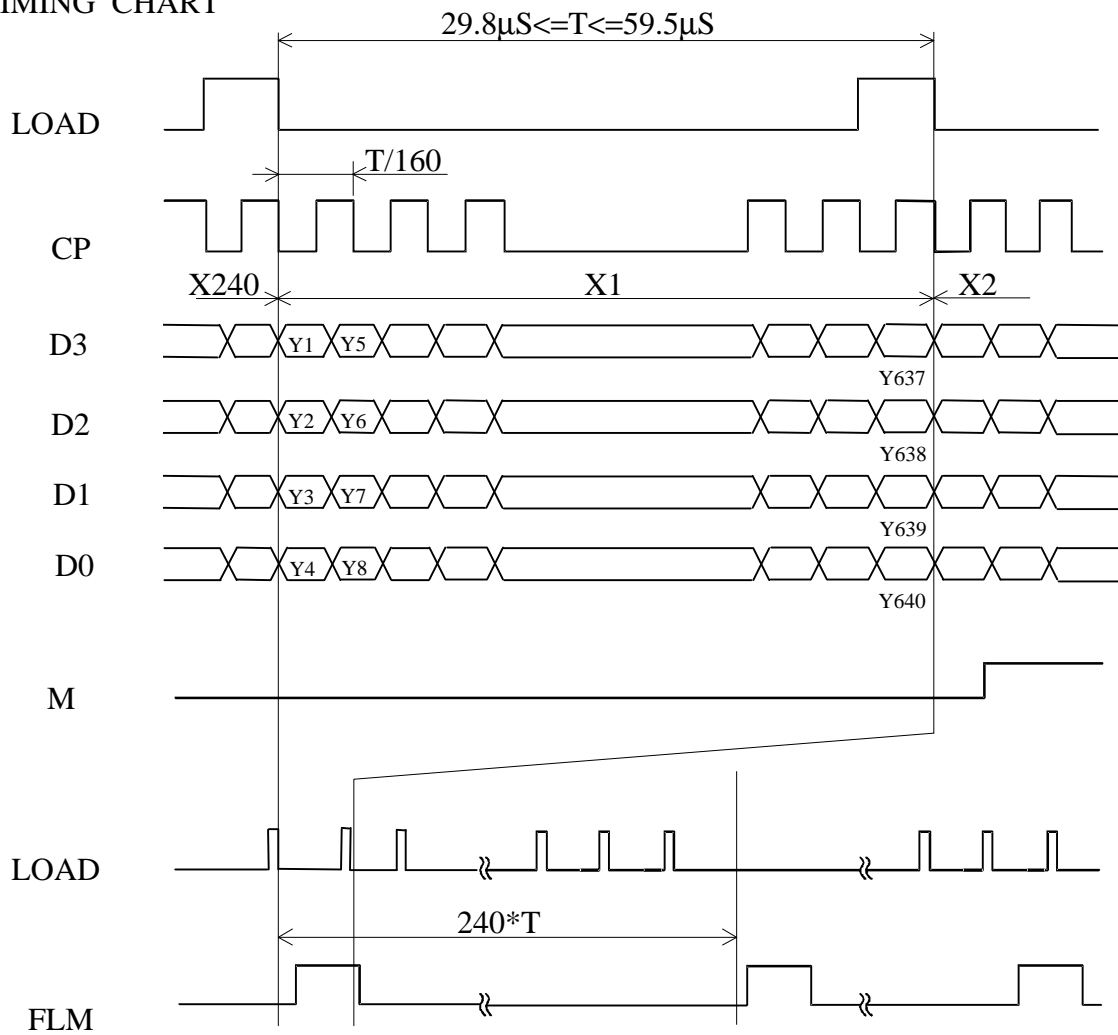


7. BLOCK DIAGRAM



8. INTERFACE TIMING CHART

8.1 TIMING CHART

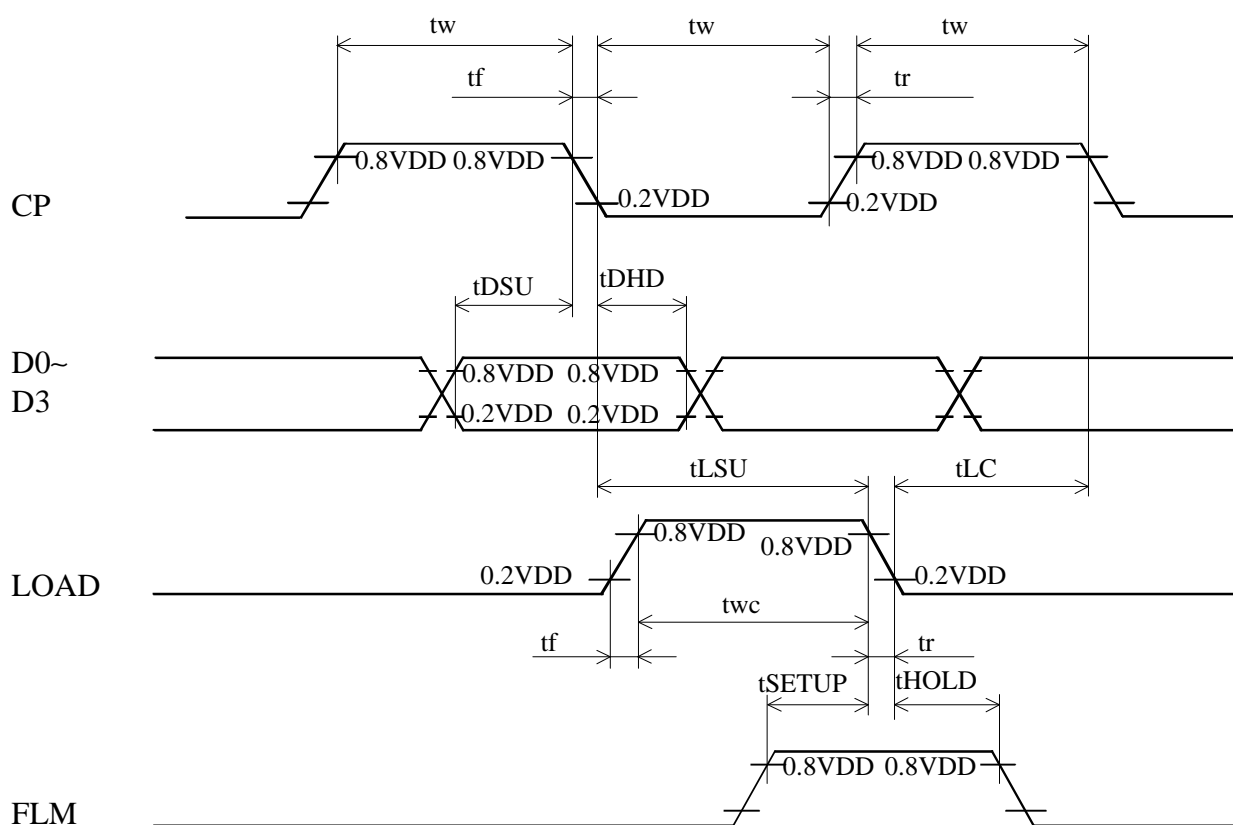


NOTE 1. DO NOT INPUT OVER 240 PULSES TO LOAD.

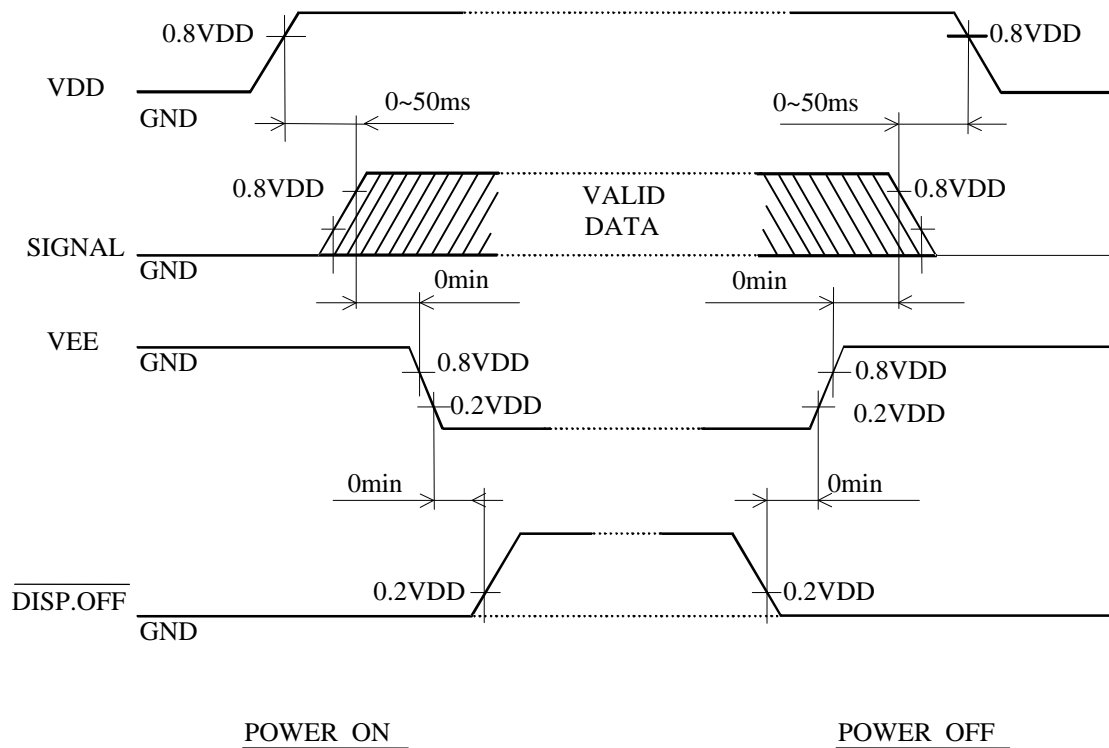
8.2 TIMING CHARACTERISTICS

0°C ≤ Ta ≤ 40°C VDD = 3.3V ± 5%

ITEM	SYMBOL	MIN.	TYP.	MAX.	UNIT
CLOCK FREQUENCY	FCP	-	-	4.0	MHz
CLOCK PULSE WIDTH	tW	63	-	-	ns
CLOCK RISE, FALL TIME	tr,tf	-	-	20	ns
DATA SET UP TIME	tDSU	50	-	-	ns
DATA HOLD TIME	tDHD	50	-	-	ns
LOAD SET UP TIME	tLSU	80	-	-	ns
LOAD CLOCK TIME	tLC	80	-	-	ns
“FRAME” SET UP TIME	tSETUP	100	-	-	ns
“FRAME” HOLD TIME	tHOLD	100	-	-	ns
“LOAD” PULSE WIDTH	twc	125	-	-	ns

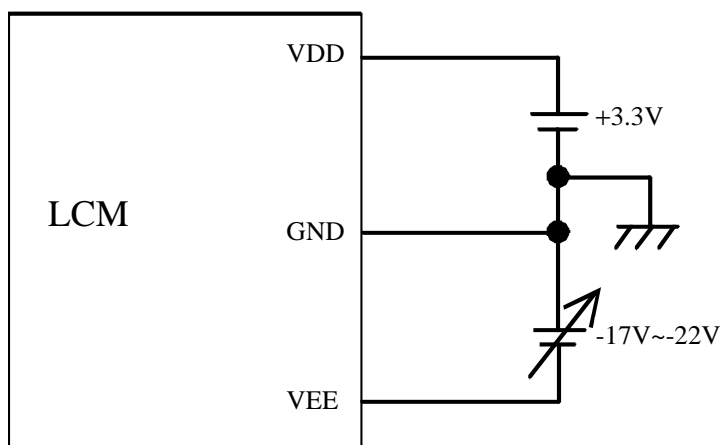


8.3 TIMING OF POWER SUPPLY AND INTERFACE SIGNAL

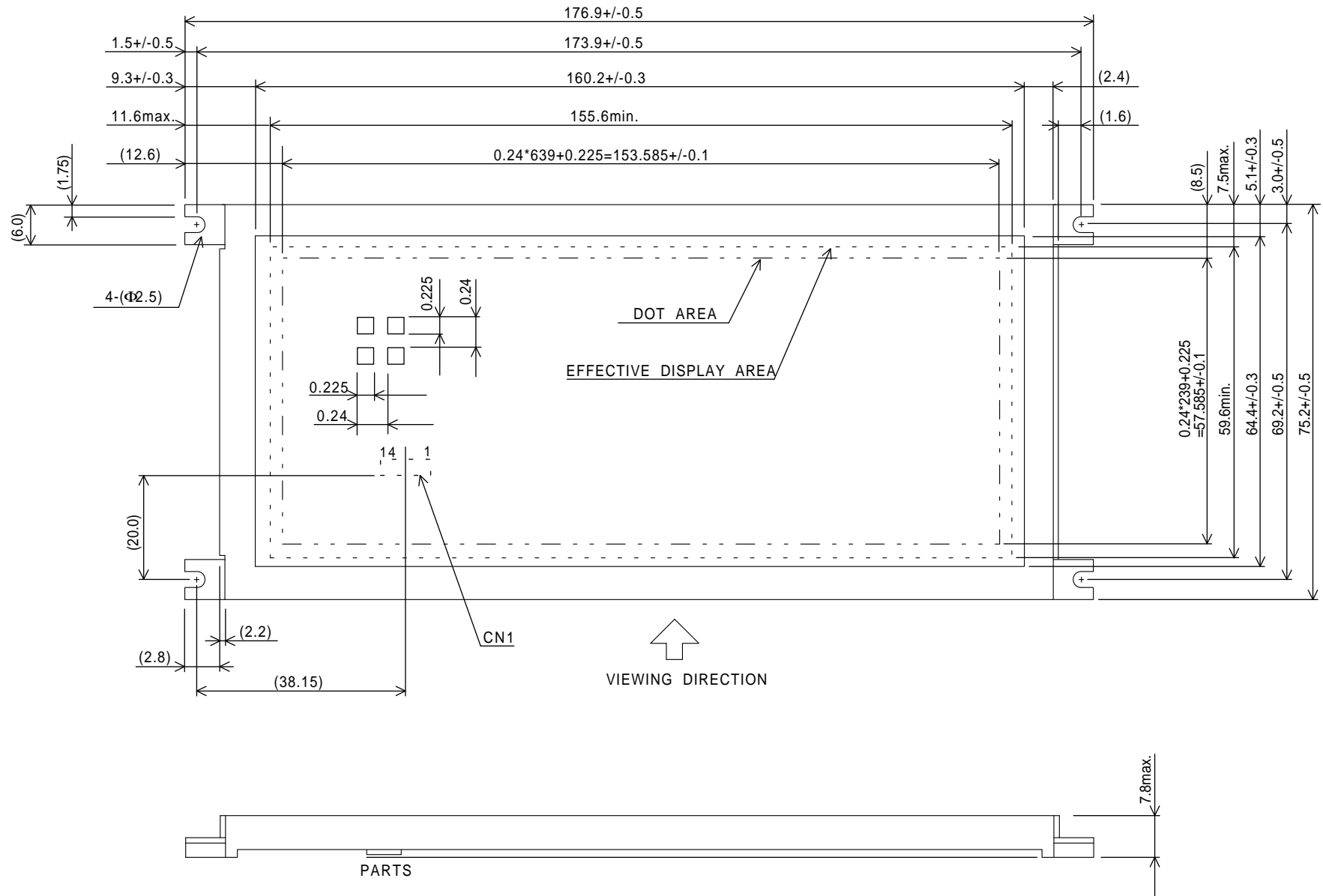


THE MISSING PIXELS MAY OCCUR WHEN THE LCM IS DRIVEN EXCEPT ABOVE POWER INTERFACE TIMING SEQUENCE.

8.4 POWER SUPPLY FOR LCM

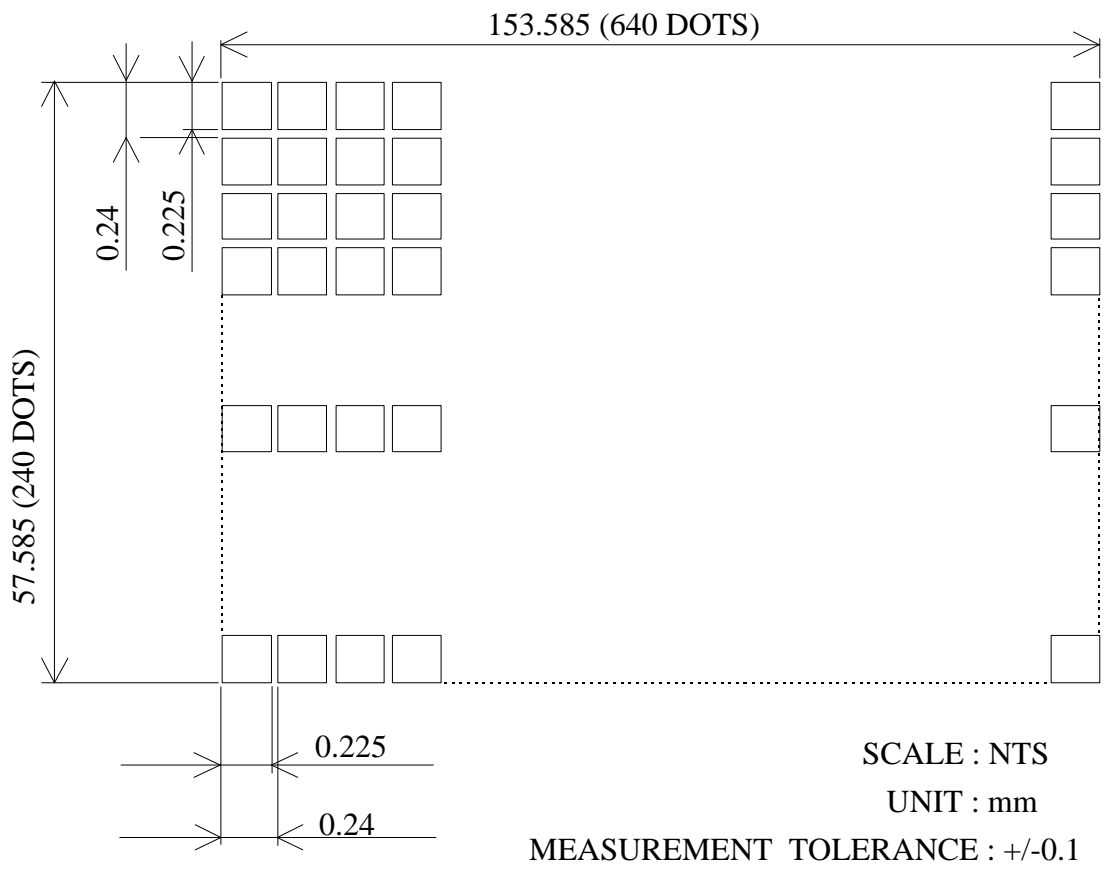


9. DIMENSIONAL OUTLINE
9.1 DIMENSIONAL OUTLINE



- NOTE 1 : THE COMETIC INSPECTION SHOULD BE NEGLECTTED ON LCD WITH PROTECTIVE FILM.
 NOTE 2 : THE PROTECTIVE FILM SHOULD BE PEELED BEFORE USE.
 NOTE 3 : CN1 MOLEX/52745-1490
 NOTE 4 : "()" FOR REFERENCE ONLY.

9.2 DISPLAY PATTERN



9.3 INTERNAL PIN CONNECTION

I / F CN1 : MOLEX / 52745-1490

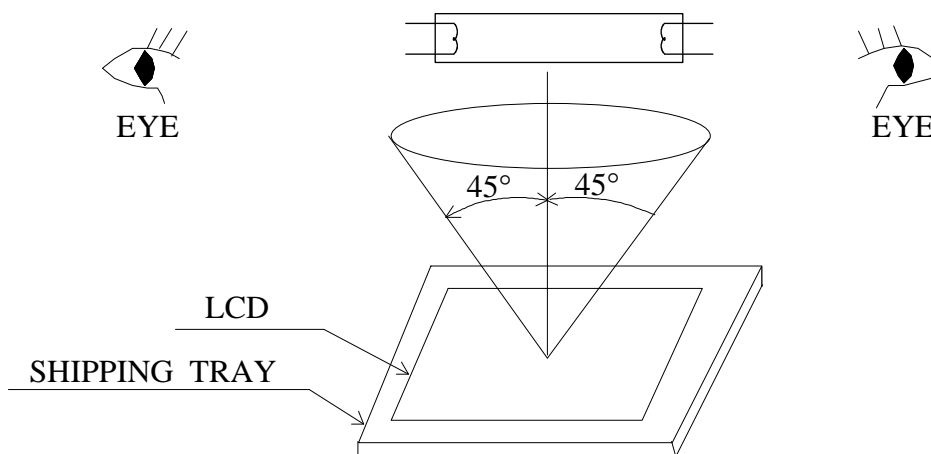
(SUITABLE FPC : 0.5 PITCH , 14 PIN , 0.3 t)

PIN No.	SIGNAL	LEVEL	FUNCTION
1	CP	H→L	SHIFT CLOCK
2	VDD	–	POWER SUPPLY FOR LOGIC CIRCUIT
3	LOAD	H / L	LATCH CLOCK
4	DISP.OFF	H / L	CONTROL DISPLAY OFF
5	GND (SHIELD)	–	THIS GND CONNECTS TO LCM SHIELD PAD (ISOLATED FROM OTHER GND SIGNALS)
6	NC	–	–
7	LD0	H / L	DISPLAY DATA
8	LD1		
9	LD2		
10	LD3		
11	GND (VSS) (DIGITAL)	–	THIS GND APPLIES TO THE WHOLE DIGITAL CIRCUIT GND PLANE OF LCM
12	FLM	H	FRAME CLOCK (FIRST LINE MARKER)
13	VEE	–	POWER SUPPLY FOR LCD
14	NC	–	–

10. QUALITY STANDARD

10.1 APPEARANCE INSPECTION CONDITIONS (IN THE EFFECTIVE VIEWING AREA)

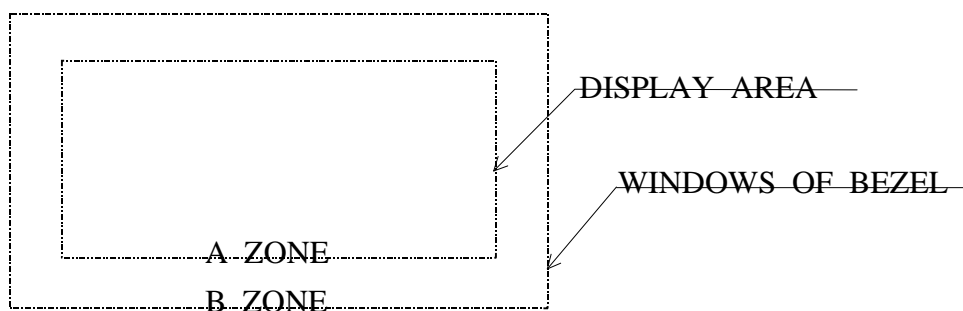
VISUAL INSPECTION UNDER SINGLE 20W FLUORECENT LAMP WITH EYES TO LCD DISTANCE 25cm AND LAMP TO LCD DISTANCE 25 TO 30cm. VIEWING ANGLE SHOULD BE SMALLER THAN 45°. THE LINE OF SIGHT FOR INSPECTION SHALL BE INSIDE THE HALF SECTION OF A CONE WHICH CONSISTED OF LINE SEGMENT 45° TO THE AXIS WITH VERTEX AT CENTER OF LCD. THE CONE AXIS PERPENDICULAR TO THE LCD AND PASSING THROUGH THE FLUORESCENT LAMP.



10.2 DEFINITION OF EACH ZONE

A ZONE : WITHIN THE DISPLAY AREA SPECIFIED AT PAGE 9-1/3 OF THIS DOCUMENT.

B ZONE : AREA BETWEEN THE WINDOWS OF BEZEL THE VIEWING AREA LINE SPECIFIED AT PAGE 9-1/3 OF THIS DOCUMENT.



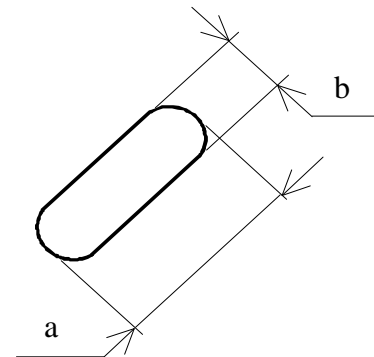
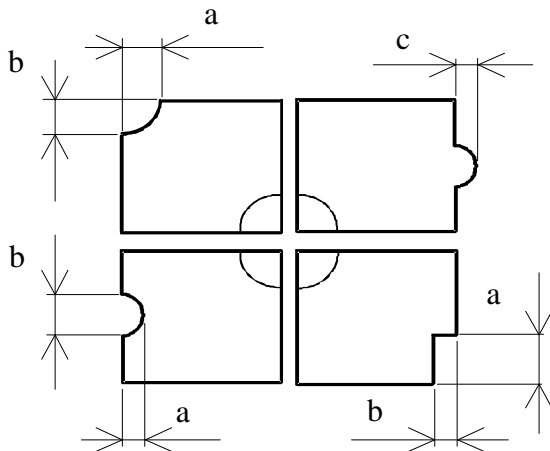
10.3 APPEARENCE SPECIFICATION

*) IF THE PROBLEM OCCURS ,ABOUT THIS ITEM THE RESPONSIBLE PERSON OF BOTH PARTY (CUSTOMER AND HITACHI) WILL DISCUSS MORE DETAIL.

No.	ITEM	CRITERIA			A	B	
L	SCRATCHES	DISTINGUISHED ONE IS NOT ACCEPTABLE (TO BE JUDGE BY HITACHI LIMIT SAMPLE)			*	-	
	DENT	SAME AS ABOVE			*	-	
	WRINKLES IN POLARIZER	SAME AS ABOVE			*	-	
	BUBBLES	AVERAGE DIAMETER D(mm)		MAXIMUM NUMBER ACCEPTABLE		O	-
		D<=0.2		IGNORE			
		0.2<D<=0.3		12			
		0.3<D<=0.5		3			
	NOTE (1)		0.5<D		NONE		
	C D	STAINS, FOREIGN MATERIALS DARK SPOT	FILAMENTOUS			O	*
			LENGTH L(mm)	WIDTH W(mm)	MAXIMUM NUMBER ACCEPTABLE		
L<=2.0			W<=0.03	IGNORE			
L<=3.0			0.03<W<=0.05	6			
-			0.05<W	NONE			
ROUND			O	*			
AVERAGE DIA- METER D(mm)		MAXIMUM NUM- BER ACCEPTABLE			MINIMUM SPACE		
D<0.2		IGNORE			-		
0.2 <=D<0.33		8			10 mm		
0.33 <=D		NONE			-		
THE WHOLE NUMBER		FILAMENTOUS + ROUND = 10					
NOTE (1) (2)		THOSE WIPED OUT EASILY ARE ACCEPTABLE			O	O	
COLOR TONE		TO BE JUDGED BY HITACHI LIMIT SAMPLE			O	-	
COLOR UNIFORMITY		SAME AS ABOVE			O	-	
PINHOLE		AVERAGE DIAMETER D(mm)		MAXIMUM NUMBER ACCEPTABLE		O	-
	D<=0.15		IGNORE				
	0.15<D<=0.3		10				
	C<=0.01		IGNORE				
CONTRAST IRREGULARITY (SPOT)	AVERAGE DIAMETER D (mm)	CONTRAST	MAXIMUM NUMBER ACCEPTABLE	MINIMUM SPACE	O	-	
	D<=0.25	TO BE JUDGED BY HITACHI LIMIT SAMPLE	IGNORE	-			
	0.25<D<=0.35		10	20mm			
	0.35<D<=0.5		4	20mm			
	NOTE (1)	0.5<D	NONE	-			

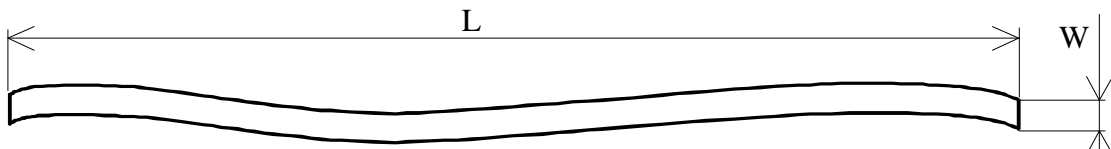
No.	ITEM	CRITERIA				A	B
		WIDTH W(mm)	LENGTH L(mm)	MAXIMUM ACCEPTABLE NUMBER	MINIMUM SPACE		
L	CONTRAST IRREGULARITY (LONE)						
C	(A PAIR OF SCRATCH)	$W \leq 0.25$	$L \leq 1.2$	2	20mm	O	-
		$W \leq 0.2$	$L \leq 1.5$	3	20mm		
		$W \leq 0.15$	$L \leq 2.0$	3	20mm		
D	NOTE (2)	$W \leq 0.1$	$L \leq 3.0$	4	20mm		
		THE WHOLE NUMBER ≤ 6					
	RUBBING SCRATCH	TO BE JUDGED BY HITACHI LIMIT STANDARD				O	-

NOTE (1)



$\frac{a+b}{2} = D \dots$ AVERAGE DIAMETER
C...SALIENT

(2) DEFINITION OF LENGTH L AND WIDTH W



11. PRECAUTION IN DESIGN

11.1 LCD DRIVING VOLTAGE (VEE) AND VIEWING ANGLE RANGE.

SETTING VLCD OUT OF THE RECOMMENDED CONDITION WILL BE A CAUSE FOR A CHANGE OF VIEWING ANGLE RANGE.

11.2 CAUTION AGAINST STATIC CHARGE

AS THIS MODULE IS PROVIDED WITH C-MOS LSI, THE CARE TO TAKE SUCH A PRECAUTION AS TO GROUNDING THE OPERATOR'S BODY IS REQUIRED WHEN HANDLING IT.

11.3 POWER ON SEQUENCE

INPUT SIGNALS SHOULD NOT BE APPLIED TO LCD MODULE BEFORE POWER SUPPLY VOLTAGE IS APPLIED AND REACHES TO SPECIFIED VOLTAGE (3.3+/-10%). IF ABOVE SEQUENCE IS NOT KEPT, C-MOS LSIS OF LCD MODULES MAY BE DAMAGED DUE TO LATCH UP PROBLEM.

11.4 PACKAGING

- (1) NO. LEAVING PRODUCTS IS PREFERABLE IN THE PLACE OF HIGH HUMIDITY FOR A LONG PERIOD OF TIME. FOR THEIR STORAGE IN THE PLACE WHERE TEMPERATURE IS 35°C OR HIGHER, SPECIAL CARE TO PREVENT THEM FROM HIGH HUMIDITY IS REQUIRED. A COMBINATION OF HIGH TEMPERATURE AND HIGH HUMIDITY MAY CAUSE THEM POLARIZATION DEGRADATION AS WELL AS BUBBLE GENERATION AND POLARIZER PEEL-OFF. PLEASE KEEP THE TEMPERATURE AND HUMIDITY WITHIN THE SPECIFIED RANGE FOR USE AND STORING.
- (2) SINCE UPPER POLARIZER TEND TO BE EASILY DAMAGED, THEY SHOULD BE HANDLED WITH FULL CARE SO AS NOT TO GET THEM TOUCHED, PUSHED OR RUBBED BY A PIECE OF GLASS. TWEEZERS AND ANYTHING ELSE WHICH ARE HARDER THAN A PENCIL LEAD 3H.
- (3) AS THE ADHESIVES USED FOR ADHERING UPPER/LOWER POLARIZERS AND FRONT METAL PLATES ARE MADE OF ORGANIC SUBSTANCES WHICH WILL BE DETERIORATED BY A CHEMICAL REACTION WITH SUCH CHEMICALS AS ACETONE, TULUENE, ETHANOLE AND ISOPROPYLALCOHOL. THE FOLLOWING SOLVENTS ARE RECOMMENDED FOR USE:
NORMAL HEXANE
PLEASE CONTACT US WHEN IT IS NECESSARY FOR YOU TO USE CHEMICALS OTHER THAN THE ABOVE.
- (4) LIGHTLY WIPE TO CLEAR THE DIRTY SURFACE WITH ABSORBENT COTTON WASTE OR OTHER SOFT MATERIAL LIKE CHAMOIS , SOAKED IN THE CHEMICALS RECOMMENDED WITHOUT SCRUBBING IT HARDLY. TO PREVENT THE DISPLAY SURFACE FROM DAMAGE AND KEEP THE APPEARANCE IN GOOD STATE , IT IS SUFFICIENT , IN GENERAL , TO WIPE IT WITH ABSORBENT COTTON.

- (5) IMMEDIATELY WIPE OFF SALIVA OR WATER DROP ATTACHED ON THE DISPLAY AREA BECAUSE ITS LONG PERIOD ADHERANCE MAY CAUSE DEFORMATION OR FADED COLOR ON THE SPOT.
- (6) FOGY DEW DEPOSITED ON THE SURFACE AND CONTACT TERMINALS DUE TO COLDNESS WILL BE CAUSED FOR POLARIZER DAMAGE, STAIN AND DIRT ON PRODUCT. WHEN NECESSARY TO TAKE OUT THE PRODUCTS FORM SOME PLACE AT LOW TEMPERATURE FOR TEST, ETC. IT IS REQUIRED FOR THEM TO BE WARMED UP IN A CONTAINER ONCE AT THE TEMPERATURE HIGHER THAN THAT OF ROOM.
- (7) TOUCHING THE DISPLAY AREA AND CONTACT TERMINALS WITH BARE HANDS AND CONTAMINATING THEM ARE PROHIBITED, BECAUSE THE STAIN ON THE DISPLAY AREA AND POOR INSULATION BETWEEN TERMINALS ARE OFTEN CAUSED BY BEING TOUCHED BY BARE HANDS. (THERE ARE SOME COSMETICS DETRIMENTAL TO POLARIZERS.)
- (8) IN GENERAL THE QUALITY OF GLASS IS FRAGILE SO THAT IT TENDS TO BE CRACKED OR CHIPPED IN HANDLING, SPECIALLY ON ITS PERIPHERY. BECAUSE BE CAREFUL NOT TO GIVE IT SHARP SHOCK CAUSED BY DROPPING DOWN, ETC.

11.5 CAUTION FOR HANDING

THIS LCM (640*240) HAS NO REAR METAL FRAME TO PROTECT TCP(TAPE CARRIER PACKAGE). TCP DRIVER IS VERY WEAK AGAINST ANY MECHANICAL STRESS. IF SUCH STRESS APPLIED, OPEN CIRCUIT OF TCP DRIVER MAY OCCUR. AND IT CAN'T BE REPAIRED. PLEASE NOTICE THAT THIS LCM SHOULD BE HANDLED WITH ENOUGH CARE AS FOLLOWS.

- (1) WHEN HANDLING, HOLD FRONT METAL FRAME TO AVOID DAMAGEING TCP. DO NOT HOLD PCB(PRINTED CIRCUIT BOARD).
- (2) AFTER INCOMING INSPECTION OF THIS LCM, WHEN TAKING OFF INTERFACE CABLE, BE CAREFUL NOT TO MAKE ANY MECHANICAL STRESS TO TCP, SUCH AS BENDING AND TWISTING.

KAOHSIUNG HITACHI ELECTRONICS CO.,LTD.	DATE	SEP.10.'98	Sh. No.	7B64PS 2711-SR16H005-R-2	PAGE	11-2/3
---	------	------------	------------	--------------------------	------	--------

11.6 CAUTION FOR OPERATION

- (1) IT IS AN INDISPENSABLE CONDITION TO DRIVE LCD'S WITHIN THE SPECIFIED VOLTAGE LIMIT SINCE THE HIGHER VOLTAGE THAN THE LIMIT CAUSES THE SHORTER LCD LIFE . AN ELECTROCHEMICAL REACTION DUE TO DIRECT CURRENT CAUSES LCD'S UNDESIRABLE DETERIORATION, SO THAT THE USE OF DIRECT CURRENT DRIVER SHOULD BE AVOIDED.
- (2) RESPONSE TIME WILL BE EXTREMELY DELAYED AT LOWER TEMPERATURE THAN THE OPERATING TEMPERATURE RANGE AND ON THE OTHER HAND AT HIGHER TEMPERATURE LCD'S SHOW DARK BULE COLOR IN THEM . HOWEVER THOSE PHENOMENA DO NOT MEAN MALFUNCTION OR OUT OF ORDER WITH LCD'S WHICH WILL COME BACK IN THE SPECIFIED OPERATING TEMPERATURE RANGE.
- (3) IF THE DISPLAY AREA IS PUSHED HARD DURING OPERATION , SOME FONT WILL BE ABNORMALLY DISPLAYED BUT IT RESUMES NORMAL CONDITION AFTER TURNING OFF ONCE.
- (4) A SLIGHT DEW DEPOSITING ON TERMINALS IS A CAUSE FOR ELECTROCHEMICAL REACTION RESULTING IN TERMINAL OPEN CIRCUIT. USAGE UNDER THE RELATIVE CONDITION OF 40? 50%RH OR LESS IS REQUIRED.

11.7 STORAGE

IN CASE OF STORING FOR A LONG PERIOD OF TIME (FOR INSTANCE, FOR YEARS) FOR THE PURPOSE OF REPLACEMENT USE , THE FOLLOWING WAYS ARE RECOMMENDED.

- (1) STORAGE IN A PLOYETHYLENE BAG WITH THE OPENING SEALED SO AS NOT TO ENTER FRESH AIR OUTSIDE IN IT , AND WITH NO DESICCANT.
- (2) PLACING IN A DARK PLACE WHERE NEITHER EXPOSURE TO DIRECT SUNLIGHT NOR LIGHT IS, KEEPING TEMPERATURE IN THE RANGE FROM 0 DEGREE C TO 35 DEGREE.
- (3) STORING WITH NO TOUCH ON POLARIZER SURFACE BY ANYTHING ELSE. (IT IS RECOMMENDED TO STORE THEM AS THEY HAVE BEEN CONTAINED IN THE INNER CONTAINER AT THE TIME OF DELIVERY FROM US.)

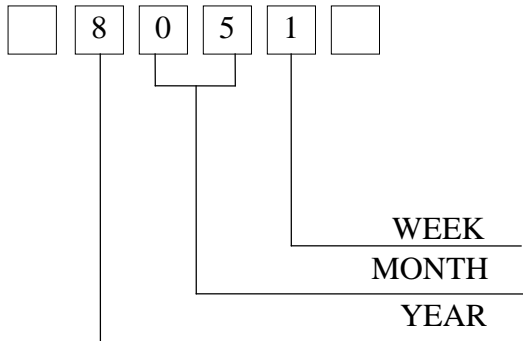
11.8 SAFETY

- (1) IT IS RECOMMENDABLE TO CRASH DAMAGED OR UNNECESSARY LCDS INTO PIECES AND WASH OFF LIQUID CRYSTAL BY EITHER OF SOLVENTS SUCH AS ACETONE AND ETHANOL, WHICH SHOUD BE BURNED UP LATER.
- (2) WHEN ANY LIQUID LEAKED OUT OF A DAMAGED GLASS CELL COMES IN CONTACT WITH YOUR HANDS, PLEASE WASH IT OFF WELL WITH SOAP AND WATER.

12. DESIGNATION OF LOT MARK

LOT MARK

LOT MARK IS CONSISTED OF 4 DIGIT NUMBER.



YEAR	FIGURE IN LOT MARK
1998	8
1999	9
2000	0
2001	1
2002	2

NOTE 1. SOME PRODUCTS HAVE ALPHABET AT THE END OR THE FIRST.

MONTH	FIGURE IN LOT MARK	MONTH	FIGURE IN LOT MARK
JAN.	01	JULY.	07
FEB.	02	AUG.	08
MAR.	03	SEPT.	09
APR.	04	OCT.	10
MAY.	05	NOV.	11
JUNE.	06	DEC.	12

WEEK (DAY IN CALENDAR)	FIGURE IN LOT MARK
1~7	1
8~14	2
15~21	3
22~28	4
29~31	5

LOCATION OF LOT MARK : ON THE BACK SIDE OF LCM

8 0 5 1 T

T : MADE IN TAIWAN.

13. PRECAUTION FOR USE

- (1) A LIMIT SAMPLE SHOULD BE PROVIDED BY THE BOTH PARTIES ON AN OCCASION WHEN THE BOTH PARTIES AGREED ITS NECESSITY. JUDGEMENT BY A LIMIT SAMPLE SHALL TAKE EFFECT AFTER THE LIMIT SAMPLE HAS BEEN ESTABLISHED AND CONFIRMED BY THE BOTH PARTIES.
- (2) ON THE FOLLOWING OCCASIONS, THE HANDLING OF THE PROBLEM SHOULD BE DECIDED THROUGH DISCUSSION AND AGREEMENT BETWEEN RESPONSIBLE PERSONS OF THE BOTH PARTIES.
 - (1) WHEN A QUESTION IS ARISEN IN THE SPECIFICATIONS.
 - (2) WHEN A NEW PROBLEM IS ARISEN WHICH IS NOT SPECIFIED IN THIS SPECIFICATIONS.
 - (3) WHEN AN INSPECTION SPECIFICATIONS CHANGE OR OPERATING CONDITION CHANGE IN CUSTOMER IS REPORTED TO HITACHI, AND SOME PROBLEM IS ARISEN IN THIS SPECIFICATION DUE TO THE CHANGE.
 - (4) WHEN A NEW PROBLEM IS ARISEN AT THE CUSTOMER'S OPERATING SET FOR SAMPLE EVALUATION IN THE CUSTOMER SITE.

THE PRECAUTION THAT SHOULD BE OBSERVED WHEN HANDLING LCM HAVE BEEN EXPLAINED ABOVE. IF ANY POINT UNCLEAR OR IF YOU HAVE ANY REQUEST , PLEASE CONTACT HITACHI.

KAOHSIUNG HITACHI ELECTRONICS CO.,LTD.	DATE	SEP.10.'98	Sh. No.	7B64PS 2713-SR16H005-R-2	PAGE	13-1/1
---	------	------------	------------	--------------------------	------	--------