

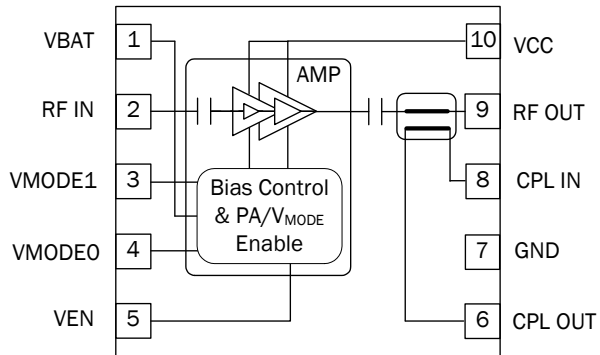


**Features**

- HSDPA and HSPA+ Compliant
- Low Voltage Positive Bias Supply (3.0V to 4.35V)
- +28.0dBm Linear Output Power (+26.5dBm HSDPA)
- High Efficiency Operation  
41% at  $P_{OUT} = +28.0\text{dBm}$   
22% at  $P_{OUT} = +18.0\text{dBm}$   
11% at  $P_{OUT} = +10.0\text{dBm}$
- Low Quiescent Current in Low Power Mode: 6mA
- Internal Voltage Regulator Eliminates the Need for External Reference Voltage ( $V_{REF}$ )
- 3-Mode Power States with Digital Control Interface
- Integrated Power Coupler
- Integrated Blocking and Collector Decoupling Capacitors

**Applications**

- WCDMA/HSDPA/HSUPA Wireless Handsets and Data Cards
- Dual-Mode UMTS Wireless Handsets



Functional Block Diagram

**Product Description**

The RF7225 is a high-power, high-efficiency, linear power amplifier designed for use as the final RF amplifier in 3V, 50Ω W-CDMA mobile cellular equipment and spread-spectrum systems. This PA is developed for UMTS Band 5 which operates in the 824MHz to 849MHz frequency band. The RF7225 has two digital control pins to select one of three power modes to optimize performance and current drain at lower power levels. The part also has an integrated directional coupler which eliminates the need for an external discrete coupler at the output. The RF7225 is fully HSDPA and HSPA+ compliant and is assembled in a 10-pin, 3mmx3mm module.

**Ordering Information**

RF7225                      3V W-CDMA Band 5 Linear PA Module  
 RF7225PCBA-410       Fully Assembled Evaluation Board

**Optimum Technology Matching® Applied**

- |   |                                      |                                     |                                   |
|---|--------------------------------------|-------------------------------------|-----------------------------------|
| <input type="checkbox"/> GaAs HBT             | <input type="checkbox"/> SiGe BiCMOS | <input type="checkbox"/> GaAs pHEMT | <input type="checkbox"/> GaN HEMT |
| <input type="checkbox"/> GaAs MESFET          | <input type="checkbox"/> Si BiCMOS   | <input type="checkbox"/> Si CMOS    | <input type="checkbox"/> RF MEMS  |
| <input checked="" type="checkbox"/> InGaP HBT | <input type="checkbox"/> SiGe HBT    | <input type="checkbox"/> Si BJT     | <input type="checkbox"/> LDMOS    |

RF MICRO DEVICES®, RFMD®, Optimum Technology Matching®, Enabling Wireless Connectivity™, PowerStart®, POLARIS™ TOTAL RADIO™ and UltimateBlue™ are trademarks of RFMD, LLC. BLUETOOTH is a trademark owned by Bluetooth SIG, Inc., U.S.A. and licensed for use by RFMD. All other trade names, trademarks and registered trademarks are the property of their respective owners. ©2006, RF Micro Devices, Inc.

## Absolute Maximum Ratings

Parameter	Rating	Unit
Supply Voltage in Standby Mode	6.0	V
Supply Voltage in Idle Mode	6.0	V
Supply Voltage in Operating Mode, 50Ω Load	6.0	V
Supply Voltage, $V_{BAT}$	6.0	V
Control Voltage, $V_{MODE0}$ , $V_{MODE1}$	3.5	V
Control Voltage, $V_{EN}$	3.5	V
RF - Input Power	+10	dBm
RF - Output Power	+30	dBm
Output Load VSWR (Ruggedness)	10:1	
Operating Ambient Temperature	-30 to +110	°C
Storage Temperature	-55 to +150	°C



**Caution!** ESD sensitive device.

Exceeding any one or a combination of the Absolute Maximum Rating conditions may cause permanent damage to the device. Extended application of Absolute Maximum Rating conditions to the device may reduce device reliability. Specified typical performance or functional operation of the device under Absolute Maximum Rating conditions is not implied.

RoHS status based on EUDirective2002/95/EC (at time of this document revision).

The information in this publication is believed to be accurate and reliable. However, no responsibility is assumed by RF Micro Devices, Inc. ("RFMD") for its use, nor for any infringement of patents, or other rights of third parties, resulting from its use. No license is granted by implication or otherwise under any patent or patent rights of RFMD. RFMD reserves the right to change component circuitry, recommended application circuitry and specifications at any time without prior notice.

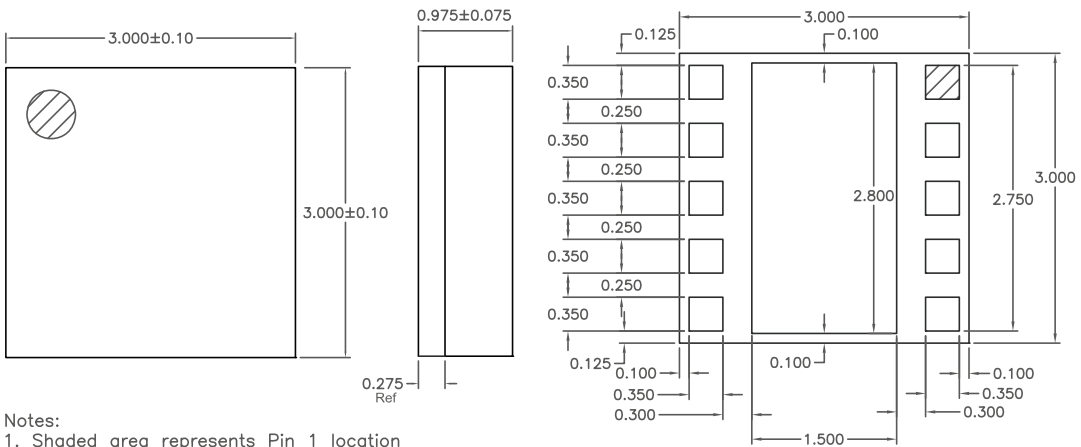
Parameter	Specification			Unit	Condition
	Min.	Typ.	Max.		
<b>Recommended Operating Conditions</b>					
Operating Frequency Range	824		849	MHz	
$V_{BAT}$	+3.0	+3.4	+4.35	V	
$V_{CC}$	+3.0 <sup>1</sup>	+3.4	+4.35	V	
$V_{EN}$	0		0.5	V	PA disabled.
	1.4	1.8	3.0	V	PA enabled.
$V_{MODE0}$ , $V_{MODE1}$	0		0.5	V	Logic "low".
	1.5	1.8	3.0	V	Logic "high".
$P_{OUT}$					
Maximum Linear Output (HPM)	28.0 <sup>2,3</sup>			dBm	High Power Mode (HPM)
Maximum Linear Output (MPM)	18.0 <sup>2,3</sup>			dBm	Medium Power Mode (MPM)
Maximum Linear Output (LPM)	10.0 <sup>2,3</sup>			dBm	Low Power Mode (LPM)
Ambient Temperature	-30	+25	+85	°C	
Notes:					
<sup>1</sup> Minimum $V_{CC}$ for max $P_{OUT}$ is indicated.					
<sup>2</sup> For operation at $V_{CC}$ =+3.2V, derate $P_{OUT}$ by 0.6dB. For operation at $V_{CC}$ =3.0V, derate $P_{OUT}$ by 1.3dB.					
<sup>3</sup> $P_{OUT}$ is specified for 3GPP (Rel99) modulation. For HSDPA and HSPA+ operation, derate $P_{OUT}$ by 1.5dB: HSDPA Configuration: $\beta_c=12$ , $\beta_d=15$ , $\beta_{hs}=24$ HSPA+ Configuration: Rel7 Subtest 1					

Parameter	Specification			Unit	Condition
	Min.	Typ.	Max.		
<b>Electrical Specifications</b>					T = +25 °C, V <sub>CC</sub> = V <sub>BAT</sub> = +3.4V, V <sub>EN</sub> = +1.8V, 50Ω system, W-CDMA Rel 99 Modulation unless otherwise specified.
Gain	27	30		dB	HPM, P <sub>OUT</sub> = 28.0dBm
	16	19		dB	MPM, P <sub>OUT</sub> ≤ 18.0dBm
	10	14		dB	LPM, P <sub>OUT</sub> ≤ 10.0dBm
Gain Linearity		±0.7		dB	HPM, 18.0dBm ≤ P <sub>OUT</sub> ≤ 28.0dBm
ACLR - 5 MHz Offset		-40		dBc	HPM, P <sub>OUT</sub> = 28.0dBm
		-40		dBc	MPM, P <sub>OUT</sub> = 18.0dBm
		-40		dBc	LPM, P <sub>OUT</sub> = 10.0dBm
ACLR - 10MHz Offset		-52		dBc	HPM, P <sub>OUT</sub> = 28.0dBm
		-60		dBc	MPM, P <sub>OUT</sub> = 18.0dBm
		-60		dBc	LPM, P <sub>OUT</sub> = 10.0dBm
PAE		41		%	HPM, P <sub>OUT</sub> = 28.0dBm
		22		%	MPM, P <sub>OUT</sub> = 18.0dBm
		11		%	LPM P <sub>OUT</sub> = 10.0dBm
Current Drain		450		mA	HPM, P <sub>OUT</sub> = 28dBm
		85		mA	MPM, P <sub>OUT</sub> = 18dBm
		30		mA	LPM, P <sub>OUT</sub> = 10dBm
Quiescent Current		100		mA	HPM, DC only
		27		mA	MPM, DC only
		6		mA	LPM, DC only
Enable Current		0.1		mA	Source or sink current. V <sub>EN</sub> = 1.8V.
Mode Current (I <sub>MODE0</sub> , I <sub>MODE1</sub> )		0.1		mA	Source or sink current. V <sub>MODE0</sub> , V <sub>MODE1</sub> = 1.8V.
Leakage Current		5.0	15.0	μA	DC only. V <sub>CC</sub> = V <sub>BAT</sub> = 4.35V, V <sub>EN</sub> = V <sub>MODE0</sub> = V <sub>MODE1</sub> = 0.5V.
Noise Power in Receive Band		-135		dBm/Hz	All power modes, measured at duplex offset frequency (FTX + 45 MHz). Rx: 869 MHz to 894 MHz, P <sub>OUT</sub> ≤ 28.0dBm
Input Impedance		1.5:1		VSWR	No ext. matching, P <sub>OUT</sub> ≤ 28dBm, all modes.
Harmonic, 2FO		-15		dBm	P <sub>OUT</sub> ≤ 28.0dBm, all power modes.
Harmonic, 3FO		-25		dBm	P <sub>OUT</sub> ≤ 28.0dBm, all power modes.
Spurious Output Level			-70	dBc	All spurious, P <sub>OUT</sub> ≤ 28dBm, all conditions, load VSWR ≤ 6:1, all phase angles.
Insertion Phase Shift		±25		°	Phase shift at 18dBm when switching from HPM to MPM and MPM to LPM at 10 dBm.
DC Enable Time			10	μS	DC only. Time from V <sub>EN</sub> = high to stable idle current (90% of steady state value).
RF Rise/Fall Time			6	μS	P <sub>OUT</sub> ≤ 28.0dBm, all modes. 90% of target, DC settled prior to RF.
Coupling Factor		-20		dB	P <sub>OUT</sub> ≤ 28.0dBm, all modes.
Coupling Accuracy - Temp/Voltage		±0.5		dB	P <sub>OUT</sub> ≤ 28.0dBm, all modes. -30 °C ≤ T ≤ 85 °C, 3.0V ≤ V <sub>CC</sub> & V <sub>BAT</sub> ≤ 4.35V, referenced to 25 °C, 3.4V conditions.
Coupling Accuracy - VSWR		±0.25		dB	P <sub>OUT</sub> ≤ 28dBm, all modes, load VSWR = 2:1, ±0.25dB accuracy corresponds to 20dB directivity.

Pin	Function	Description
1	<b>VBAT</b>	Supply voltage for bias circuitry.
2	<b>RF IN</b>	RF input internally matched to 50Ω and DC blocked. Input matching includes a shunt inductor to ground which would short DC voltage placed on this pin.
3	<b>VMODE1</b>	Digital control input for power mode selection (see Operating Modes truth table).
4	<b>VMODE0</b>	Digital control input for power mode selection (see Operating Modes truth table).
5	<b>VEN</b>	Digital control input for PA enable and disable (see Operating Modes truth table).
6	<b>CPL_OUT</b>	Coupler output.
7	<b>GND</b>	This pin must be grounded.
8	<b>CPL_IN</b>	Coupler input used for cascading couplers in series. Terminate this pin with a 50Ω resistor if not connected to another coupler.
9	<b>RF OUT</b>	RF output internally matched to 50Ω and DC blocked.
10	<b>VCC</b>	Supply voltage for the first and second stage amplifier.
<b>Pkg Base</b>	<b>GND</b>	Ground connection. The package backside should be soldered to a topside ground pad connecting to the PCB ground plane with multiple ground vias. The pad should have a low thermal resistance and low electrical impedance to the ground plane.

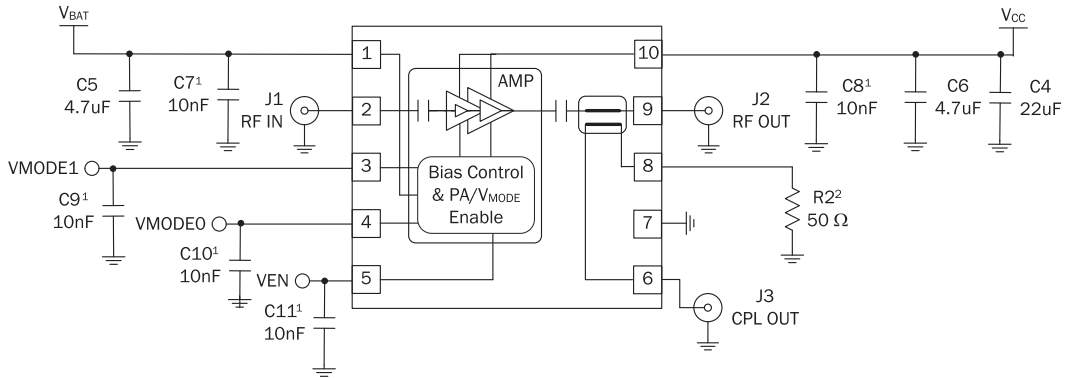
V <sub>EN</sub>	V <sub>MODE0</sub>	V <sub>MODE1</sub>	V <sub>BAT</sub>	V <sub>CC</sub>	Conditions/Comments
Low	Low	Low	3.0V to 4.35V	3.0V to 4.35V	Power down mode
Low	X	X	3.0V to 4.35V	3.0V to 4.35V	Standby Mode
High	Low	Low	3.0V to 4.35V	3.0V to 4.35V	High power mode
High	High	Low	3.0V to 4.35V	3.0V to 4.35V	Medium power mode
High	High	High	3.0V to 4.35V	3.0V to 4.35V	Low power mode

## Package Drawing



Notes:  
1. Shaded area represents Pin 1 location

**Preliminary Application Schematic**



**NOTES:**

- 1 Place these capacitors as close to PA as possible.
- 2 50 Ω resistor will be removed if pin 8 is connected to another coupler.

**PCB Design Requirements**

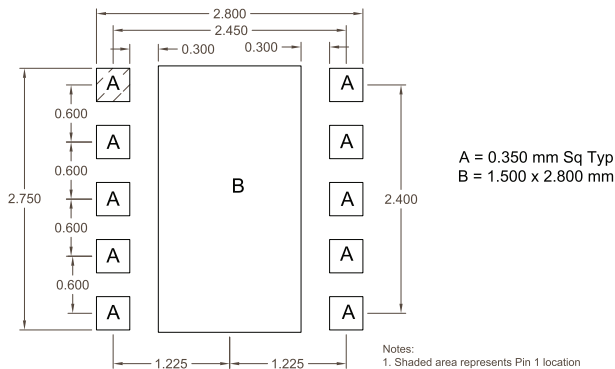
**PCB Surface Finish**

The PCB surface finish used for RFMD's qualification process is electroless nickel, immersion gold. Typical thickness is 3µinch to 8µinch gold over 180µinch nickel.

**PCB Land Pattern Recommendation**

PCB land patterns for RFMD components are based on IPC-7351 standards and RFMD empirical data. The pad pattern shown has been developed and tested for optimized assembly at RFMD. The PCB land pattern has been developed to accommodate lead and package tolerances. Since surface mount processes vary from company to company, careful process development is recommended.

**PCB Metal Land Pattern**



**PCB Metal Land Pattern (Top View)**

