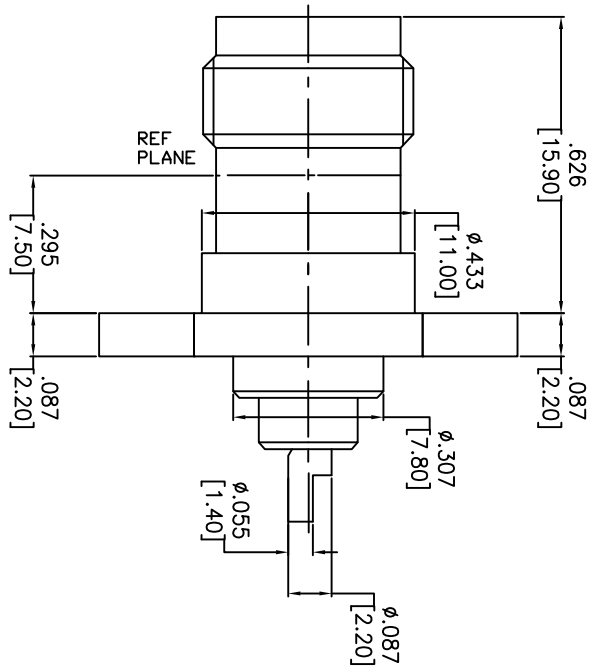
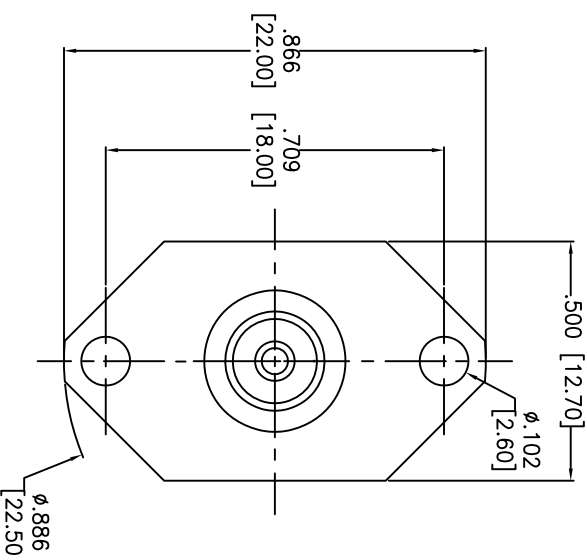


Rev	AWO #	Description	Date	Appr
-		RELEASED	9/16/10	

APPROVED: \_\_\_\_\_

DATE: \_\_\_\_\_ TITLE: \_\_\_\_\_



NO	DESCRIPTION	Q'ty	MATERIAL	FINISH
4	DIELECTRIC	1	TEFLON	NONE
3	PIN	1	BRASS	GOLD
2	BARREL	1	BRASS	NICKEL
1	BODY	1	BRASS	NICKEL

**SPECIFICATIONS**

Electrical  
 Nominal Impedance: 50 Ohms  
 Temperature Rating:  
 Operating temperature: -55°C to +125°C  
 Environmental:  
 Lead free, RoHS compliant.  
 Recommended soldering temp: 235 for 5 sec.



UNLESS OTHERWISE SPECIFIED  
 ALL DIMENSIONS ARE INCHES [MM]  
 TOLERANCES: EXCEPT AS NOTED  
 INCHES: .X ± .10 Ø.X ± .10  
 .XX ± .020 Ø.XXX ± .015  
 .XXX ± .015 Ø.XXXX ± .010

**ADAM TECH**  
 909 Rahway Avenue, Union, NJ 07083  
 Phone: 908-687-5000 Fax: 908-687-5710

APPROVALS		DATE
DRAWN	AY	9/16/10
CHECKED	VW	9/16/10
APPROVED		

TITLE	TNC JACK PANEL 2 HOLES FOR PCB	
SIZE	PART NO.	REV.
X	RF7-500-2	-
REF: S0001T	SCALE: NTS	SHEET 1 OF 1

6 5 4 3 2 1