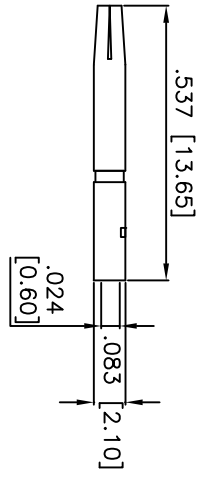
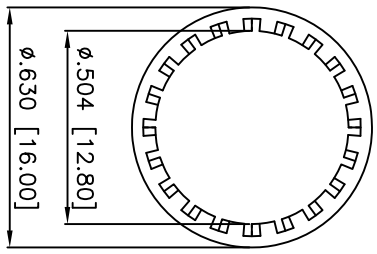
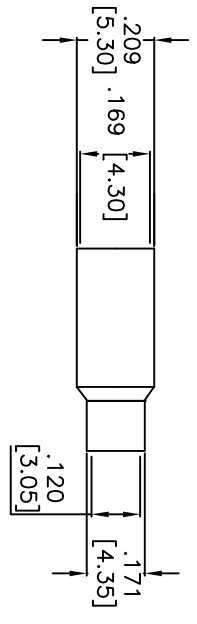
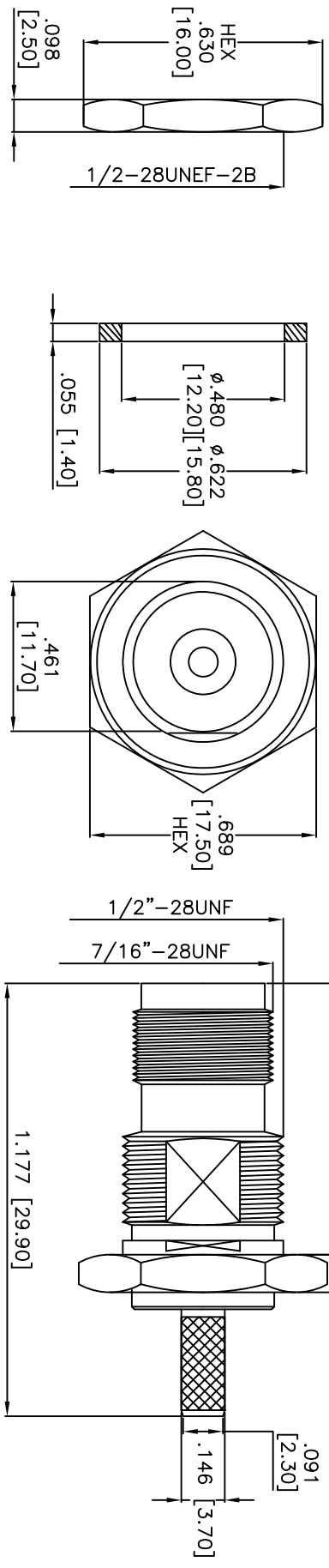


APPROVED: _____
 DATE: _____ TITLE: _____

Rev	AWO #	Description	Date	Appr
-	9347	RELEASED	2/13/09	
A		REVISED DIM.	11/17/10	



DESCRIPTION	MATERIAL	FINISH
FERRULE	BRASS	NICKEL
PIN	BRASS	GOLD
BARREL	BRASS	NICKEL
INSULATOR	TEFLON	NONE
BODY	BRASS	NICKEL
GASKET	SILICONE	NONE
WASHER	IRON	NICKEL
NUT	BRASS	NICKEL

SPECIFICATIONS:

Electrical:
 Nominal Impedance: 50 ohms
 Frequency range: 0-10 GHz
 Working Voltage: 500 VRMS max.
 Dielectric Withstanding Voltage: 1500 VRMS min.
 Contact Resistance: 3 Milliohms max. (Center Contact)
 2 Milliohms max. (Outer Contact)
 Insulator Resistance: 5000 Megohms min.
 Environmental:
 Lead free, RoHS compliant.

ADAM TECH

909 Rahway Avenue, Union, NJ 07083
 Phone: 908-687-5000 Fax: 908-687-5710

TNC JACK BKD CRIMP FOR RG174

APPROVALS		DATE
DRAWN	DY	2/13/09
CHECKED		
APPROVED		

SIZE	PART NO.	REV.
X	RF7-11-T-02-50-HDW	A

REF: S00011T SCALE: NTS SHEET 1 OF 1

