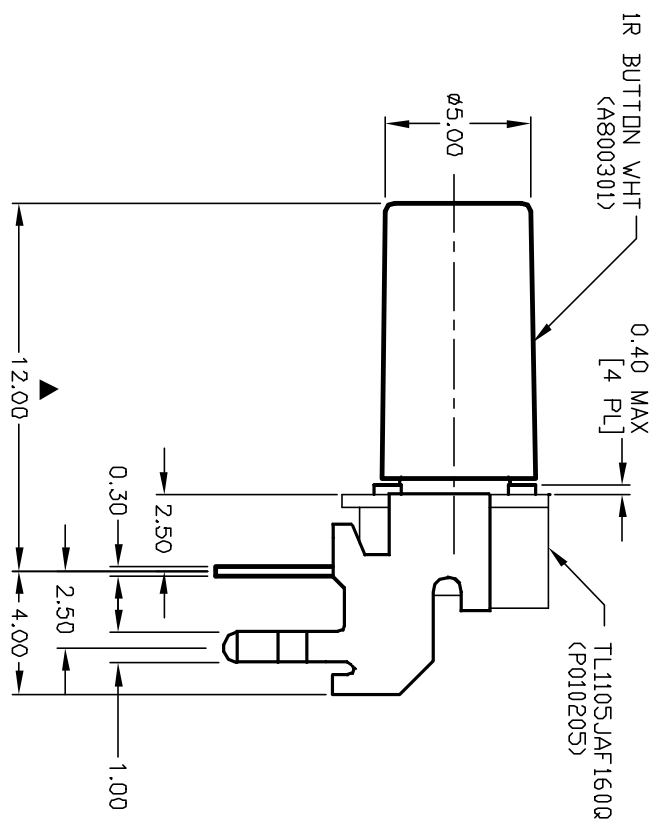
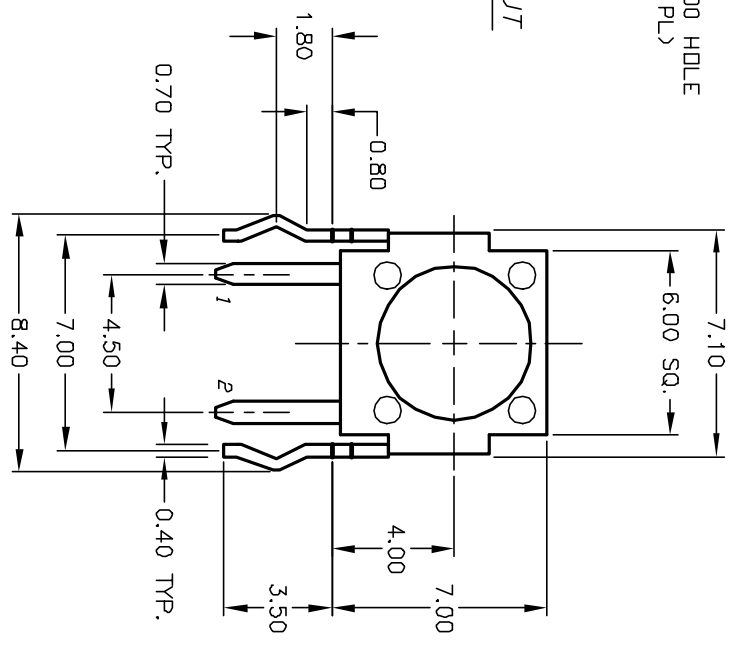
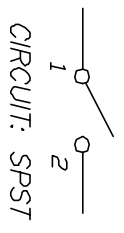


RECOMMENDED P.C.B. LAYOUT



NOTES:

1. ALL DIMENSIONS IN MM
2. GENERAL TOLERANCE: X.X=±0.4
X.XX=±0.25
3. TERM. NOS. FOR REF. ONLY
4. RATING: 50mA, @12V DC
5. TRAVEL: 0.25±0.1mm
6. OPERATING FORCE: 160±50gf
7. CONTACT RESISTANCE: 100 milliohms Max.
8. ELECTRICAL LIFE: 100,000 CYCLES MIN.
9. DESIGNATE MAJOR DIMENSIONS

| | | | | |
|--|---------|-------------------------|------|------|
| REV. | ECN No. | DESCRIPTION | DATE | CHKD |
| A | 11253 | RELEASED FOR PRODUCTION | -- | -- |
| THE INFORMATION CONTAINED IN THIS DOCUMENT IS PROPRIETARY TO E-SWITCH AND IS NOT TO BE COPIED OR TRANSFERRED | | | | |

| | | | | | |
|-----------------------------|-------|------|----|---------|-----|
| TITLE | SCALE | DATE | DR | DWG | REV |
| TL 1105 JA F160 Q (1R/WHIT) | 4:1 | -- | -- | XP0118A | A |

E-SWITCH®