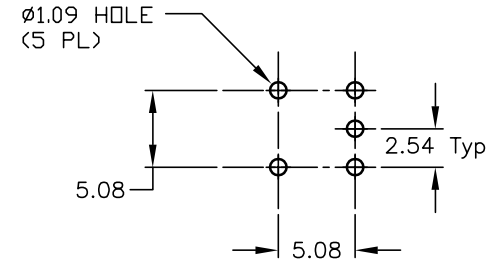
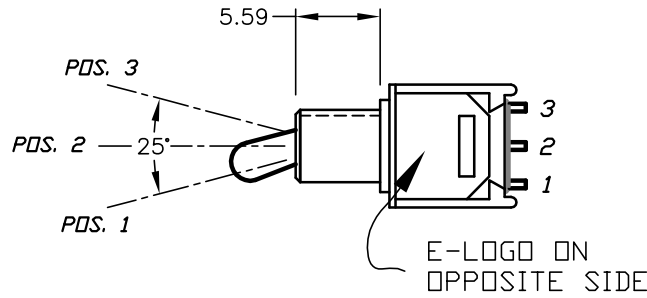
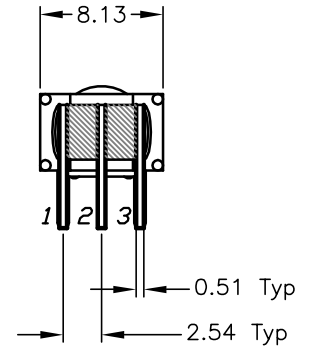
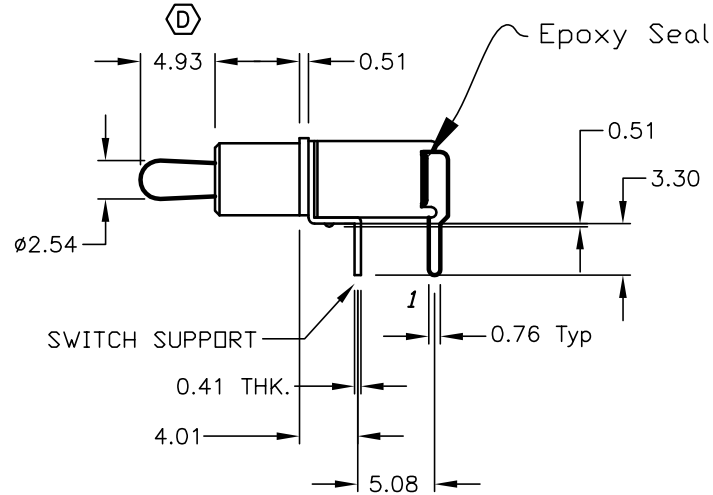
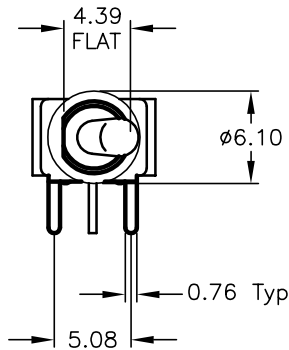


CIRCUIT: SPDT

SWITCH FUNCTION		
PDS. 1	PDS. 2	PDS. 3
ON	NONE	ON
2-3	OPEN	2-1



RECOMMENDED P.C.B LAYOUT



NOTES:

- ALL DIMENSIONS IN MM
- GENERAL TOLERANCE: X.X=±0.4
X.XX=±0.25
- TERM. NOS. FOR REF. ONLY
- CONTACT RATING: 0.4(VA) @20V max. (AC or dC)
- ▲ FIXED TERMINAL & MOVING CONTACT:
Copper Alloy w/Gold plate over Nickel plate.
- ELECTRIC LIFE: 30,000 make-and-break cycles at full load.
- INSULATION RESISTANCE: 1,000 M ohm min.
- DIELECTRIC STRENGTH: 1,000 V RMS @sea level.
- OPERATING TEMP.: -30°C to 85°C

E-SWITCH®

D	14465	CORRECT ACTUATOR LENGTH	11/8/04	AR
C	12325	REVISED AND REDRAWN	7/23/02	CJB
REV.	ECN No.	DESCRIPTION	DATE	CHKD

TITLE				
200MSP1T2B2M6RE				
SCALE	DATE	DR	DWG	REV
2:1	7/23/02	CJB	T211001	D

THE INFORMATION CONTAINED IN THIS DOCUMENT IS PROPRIETARY TO E-SWITCH AND IS NOT TO BE COPIED OR TRANSFERRED