

NTE7173 NTE7173SM Integrated Circuit 1.5A Step-Up/Down Inverting Switching Regulator

Description:

The NTE7173 and NTE 7173SM are monolithic circuits containing the primary functions required for DC-to-DC converters. These devices consist of an internal temperature compensated reference, comparator, controlled duty cycle oscillator with an active current limit circuit, driver and high current output switch. This series was specifically designed to be incorporated in Step-Down and Step-Up and Voltage-Inverting applications with a minimum number of external components.

Features:

- Operation from 3V to 40V Input
- Low Standby Current
- Output Switch Current 1.5A
- Output Voltage Adjustable
- Frequency Operation to 100kHz
- Precision 2% Reference

Absolute Maximum Ratings:

Power Supply Voltage, V_{CC}	40Vdc
Comparator Input Voltage Range, V_{IR}	-0.3 to +40Vdc
Switch Collector Voltage, $V_{C(switch)}$	40Vdc
Switch Emitter Voltage (V_{Pin1}), V_E	40Vdc
Switch Collector-to-Emitter Voltage, $V_{CE(switch)}$	40Vdc
Driver Collector Voltage, $V_{C(driver)}$	40Vdc
Driver Collector Current (Note1), $I_{C(driver)}$	100mA
Switch Current, I_{SW}	1.5A
Power Dissipation ($T_A = +25^{\circ}C$), P_D	
NTE7173	1.25W
NTE7173SM	625mW
Thermal Resistance, Junction-to-Ambient, R_{thJA}	
NTE7173	+100°C/W
NTE7173SM	+160°C/W
Operating Ambient Temperature Range, T_A	0° to +70°C
Storage Temperature Range, T_{stg}	-65° to +150°C

Note 1. Maximum package power dissipation limits must be observed.

Electrical Characteristics: ($V_{CC} = 5V$, $T_A = 0^{\circ}C$ to $+70^{\circ}C$, unless otherwise specified)

www.DataSheet4U.com

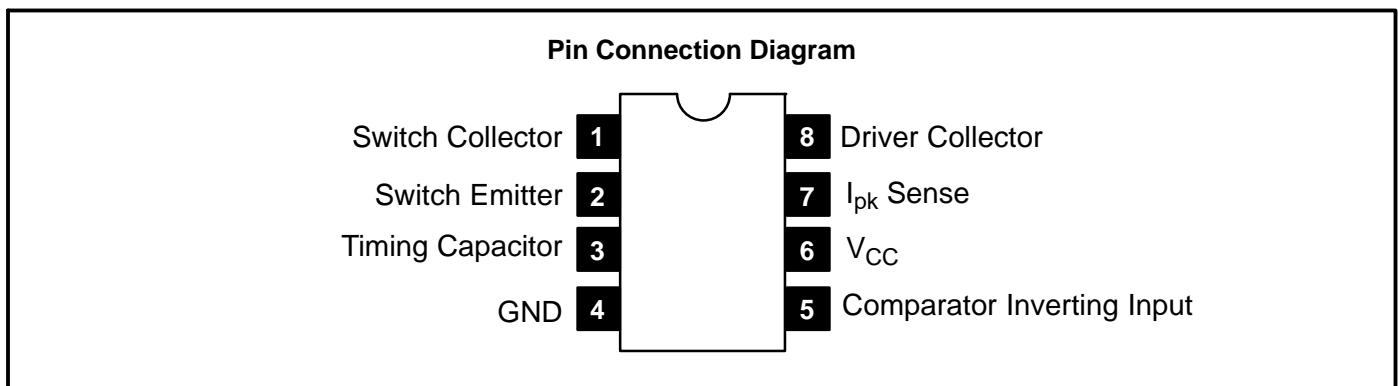
Parameter	Symbol	Test Conditions	Min	Typ	Max	Unit
Oscillator						
Frequency	f_{OSC}	$V_{Pin5} = 0V$, $C_T = 1.0nF$, $T_A = +25^{\circ}C$	24	33	42	kHz
Charge Current	I_{chg}	$V_{CC} = 5V$ to $40V$, $T_A = +25^{\circ}C$	24	35	42	μA
Discharge Current	I_{dischg}	$V_{CC} = 5.0V$ to $40V$, $T_A = +25^{\circ}C$	140	220	260	μA
Discharge to Charge Current Ratio	I_{dischg}/I_{chg}	Pin7 to V_{CC} , $T_A = +25^{\circ}C$	5.2	6.5	7.5	-
Current Limit Sense Voltage	$V_{ipk(sense)}$	$I_{chg} = I_{dischg}$, $T_A = +25^{\circ}C$	250	300	350	mV
Output Switch (Note 2)						
Saturation Voltage, Darlington Connection	$V_{CE(sat)}$	$I_{SW} = 1.0A$ Pin1 and Pin8 connected	-	1.0	1.3	V
Saturation Voltage	$V_{CE(sat)}$	$I_{SW} = 1.0A$, $R_{Pin8} = 82\Omega$ to V_{CC} , Forced $\beta \approx 20$, Note 3	-	0.45	0.7	V
DC Current Gain	h_{FE}	$I_{SW} = 1A$, $V_{CE} = 5V$, $T_A = +25^{\circ}C$	50	75	-	-
Collector Off-State Current	$I_{C(off)}$	$V_{CE} = 40V$	-	0.01	100	μA
Comparator						
Threshold Voltage	V_{Th}	$T_A = +25^{\circ}C$	1.225	1.25	1.275	V
		$T_A = 0^{\circ}$ to $+70^{\circ}C$	1.21	-	1.29	V
Threshold Voltage Line Regulation	Reg_{line}	$V_{CC} = 5V$ to $40V$	-	1.4	5.0	mV
Input Bias Current	I_{IB}	$V_{in} = 0V$	-	-20	-400	nA
Total Device						
Supply Current	I_{CC}	$V_{CC} = 5V$ to $40V$, $C_T = 1nF$, Pin7 = V_{CC} , $V_{Pin5} > V_{th}$, Pin2 = GND, remaining pins open	-	-	4	mA

Note 2. Low duty cycle pulse techniques are used during test to maintain junction temperature as close to ambient temperature as possible

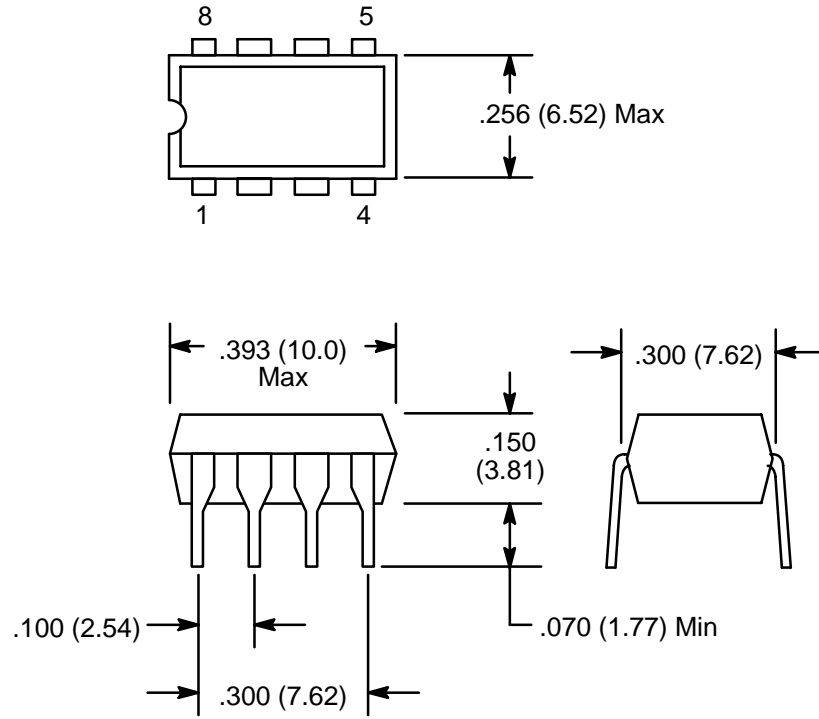
Note 3. If the output switch is driven into hard saturation (non-Darlington configuration) at low switch currents ($\leq 300mA$) and high driver currents ($\geq 30mA$), it may take up to $2\mu s$ for it to come out of saturation. This condition will shorten the off time at frequencies $\geq 30kHz$, and is magnified at high temperatures. This condition does not occur with a Darlington configuration, since the output switch cannot saturate. If a non-Darlington configuration is used, the following output condition is recommended:

$$\text{Forced } \beta \text{ of output switch: } \frac{I_C \text{ output}}{I_C \text{ driver} - 7mA} \geq 10$$

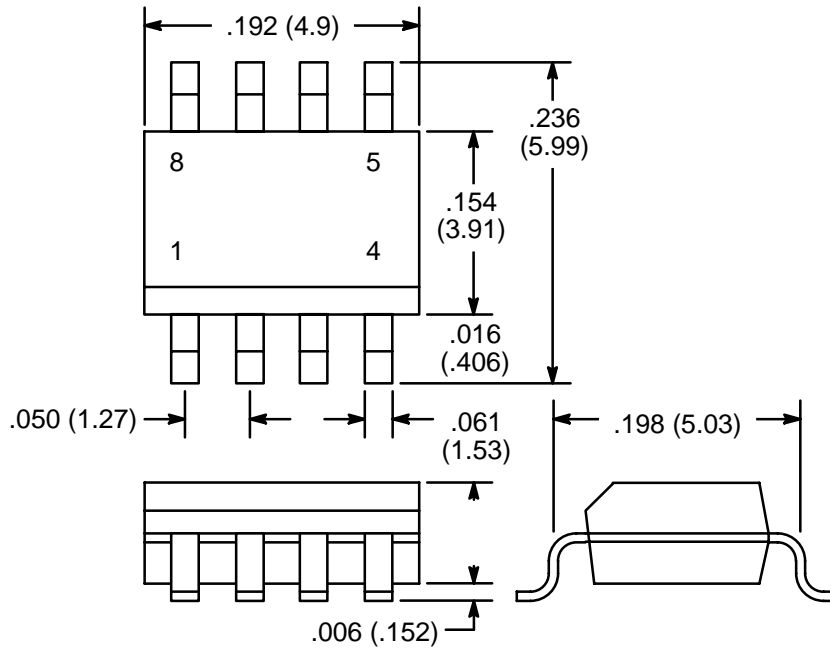
* The 100Ω resistor is the emitter of the driver device requires about 7mA before the output switch conducts.



NTE7173



NTE7173SM



NOTE: Pin1 on Beveled Edge