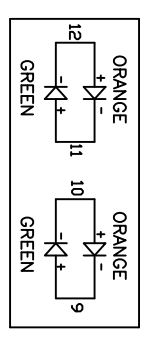
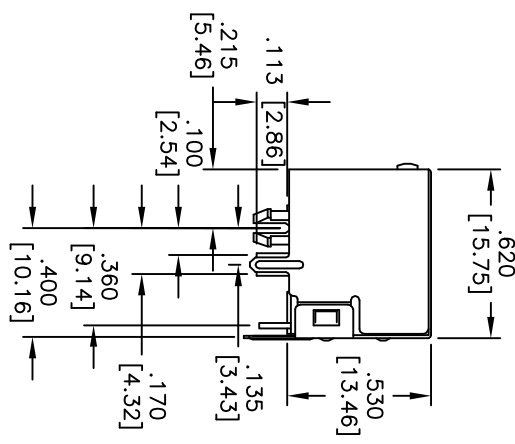
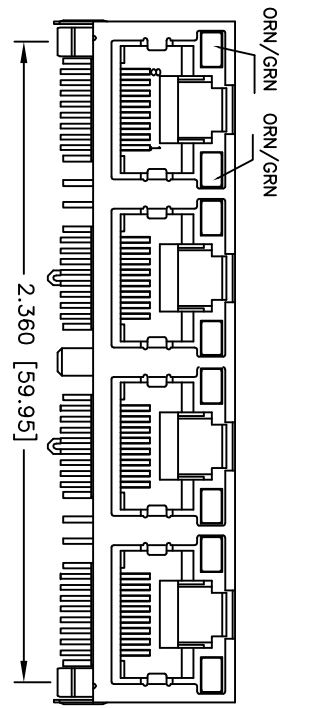
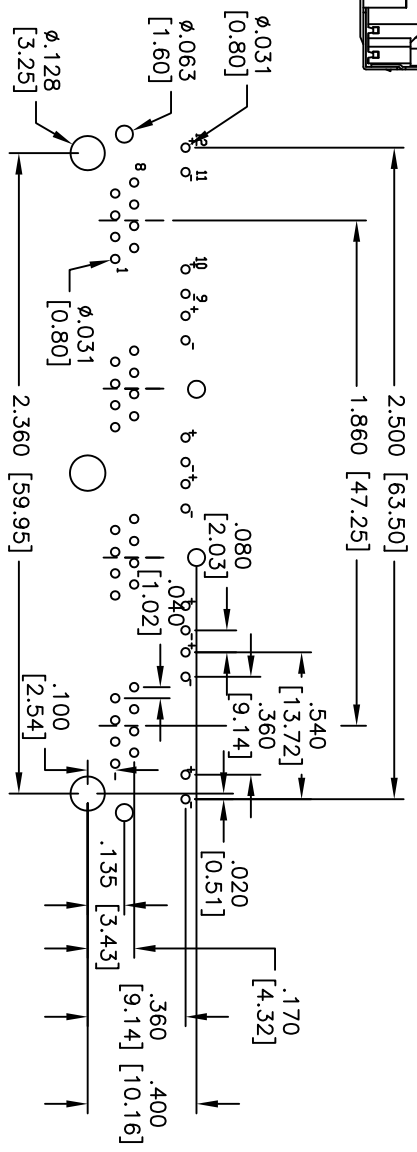
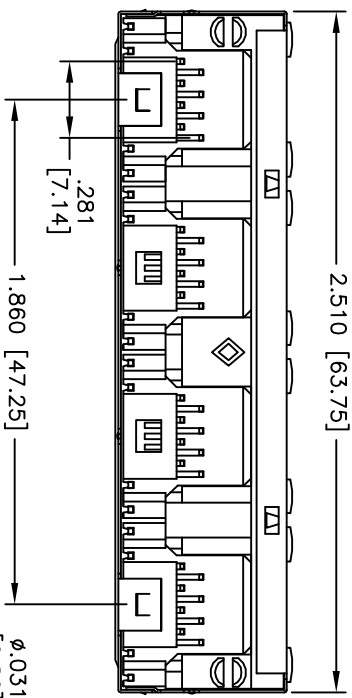


Rev	AWO #	Description	Date	Appr
-		RELEASED	11/18/09	

APPROVED: _____
 DATE: _____ TITLE: _____



X	PLATING
0	15 μ m Gold
1	30 μ m Gold
2	50 μ m Gold



RECOMMENDED PCB LAYOUT

SPECIFICATIONS:

Material:
 Insulator: PBT, rated UL 94V-0
 Insulator color: Yellow, P114C follow Pantone color
 Contacts: Phosphor Bronze
 Shield: Brass, Nickel plated
 Plating:
 Gold over Nickel underplate on contact area, Tin over Copper underplate on PCB tails

Electrical:
 Operating voltage: 125 VAC max
 Current rating: 1.5 Amps max
 Contact resistance: 45 mohms max
 Insulation resistance: 1000 Mohms min @ 500 VDC
 Dielectric withstanding voltage: 1000 VAC for 1 minute
 Temperature Rating:
 Operating temperature: -40°C to +85°C

Environmental:
 Lead free, RoHS compliant.
 Recommended soldering temp: 235°C for 5 sec.



ADAM TECH

909 Rahway Avenue, Union, NJ 07083
 Phone: 908-687-5000 Fax: 908-687-5710

TITLE: GANGED MODULAR TELEPHONE JACK, 8P8C, R/A, Cat.5
 COLOR: YELLOW P114C, W/ LED1 ORN/GRN, LED2 ORN/GRN

UNLESS OTHERWISE SPECIFIED ALL DIMENSIONS ARE IN INCHES [MM]		TOLERANCES: EXCEPT AS NOTED	
INCHES		HOLDS	
.X	± .10	ØX	± .10
.XX	± .020	ØXXX	± .015
.XXX	± .015	ØXXXX	± .010
APPROVALS	DATE	DRAWN	
CHECKED	DATE	DY	
APPROVED	DATE	11/18/09	
SIZE	PART NO.	TITLE	
X	MTJG-4-88ARX1-FSM-L-P114C	GANGED MODULAR TELEPHONE JACK, 8P8C, R/A, Cat.5	
REF: S0003C	SCALE: NTS	COLOR YELLOW P114C, W/ LED1 ORN/GRN, LED2 ORN/GRN	
SHEET 1 OF 1	REV.		