

±60V Fault Protected, 3.3V to 5V, ±20V Common Mode Range, RS-485/RS-422 Transceivers with Cable Invert and ±15kV ESD

ISL32450E, ISL32452E, ISL32453E, ISL32455E, ISL32457E

The ISL32450E through ISL32457E are 3.3V to 5V powered, fault protected, extended common mode range differential transceivers for balanced communication. The RS-485 bus pins (driver outputs and receiver inputs) are protected against overvoltages up to ±60V, and against ±15kV ESD strikes. These transceivers operate in environments with common mode voltages up to ±20V (exceeds the RS-485 requirement), making this RS-485 family one of the more robust on the market.

Transmitters are RS-485 compliant with $V_{CC} \geq 4.5V$ and deliver a 1.1V differential output voltage into the RS-485 specified 54Ω load even with $V_{CC} = 3V$.

Receiver (Rx) inputs feature a “Full Fail-Safe” design, which ensures a logic-high Rx output if Rx inputs are floating, shorted, or on a terminated but undriven (idle) bus. Rx full fail-safe operation is maintained even when the Rx input polarity is switched (cable invert function on ISL32457E).

The ISL32457E includes a cable invert function that reverses the polarity of the Rx and Tx bus pins in case the cable is misconnected during installation.

See Table 1 on page 2 for key features and configurations by device number.

Related Literature

- See [FN7784](#), “ISL32470E, ISL32472E, ISL32475E, ISL32478E: Fault Protected, Extended Common Mode Range, RS-485/RS-422 Transceivers with ±16.5kV ESD”

Features

- Fault Protected RS-485 Bus Pins Up to ±60V
- Extended Common Mode Range ±20V Larger Than Required for RS-485
- ±15kV HBM ESD Protection on RS-485 Bus Pins
- Wide Supply Range 3V to 5.5V
- Cable Invert Pin (ISL32457E Only)
Corrects for Reversed Cable Connections While Maintaining Rx Full Fail-safe Functionality
- 1/4 Unit Load for Up to 128 Devices on the Bus
- High Transient Overvoltage Tolerance ±80V
- Full Fail-safe (Open, Short, Terminated) RS-485 Receivers
- Choice of RS-485 Data Rates 250kbps or 1Mbps
- Low Quiescent Supply Current 2.1mA
Ultra Low Shutdown Supply Current 10μA
- Pb-Free (RoHS Compliant)

Applications

- Utility Meters/Automated Meter Reading Systems
- Air Conditioning Systems
- Security Camera Networks
- Building Lighting and Environmental Control Systems
- Industrial/Process Control Networks

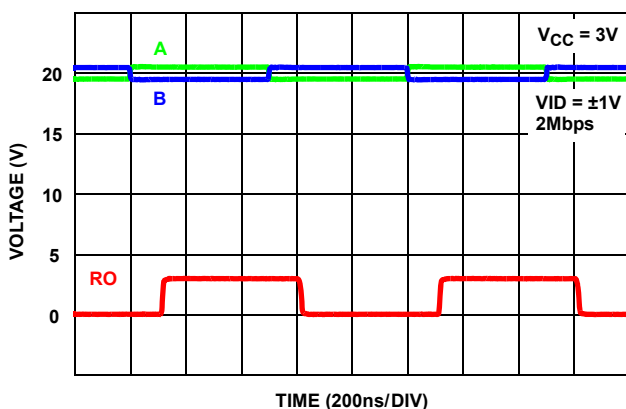


FIGURE 1. EXCEPTIONAL ISL32453E RX OPERATES AT >1Mbps EVEN WITH ±20V COMMON MODE VOLTAGE

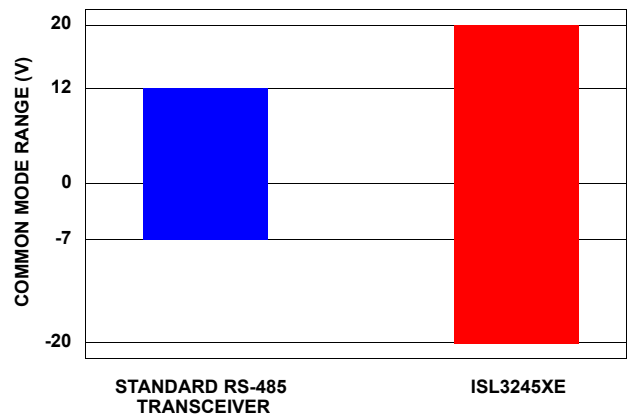


FIGURE 2. TRANSCEIVERS DELIVER SUPERIOR COMMON MODE RANGE vs STANDARD RS-485 DEVICES

ISL32450E, ISL32452E, ISL32453E, ISL32455E, ISL32457E

TABLE 1. SUMMARY OF FEATURES

PART NUMBER	HALF/FULL DUPLEX	DATA RATE (Mbps)	SLEW-RATE LIMITED?	EN PINS?	HOT PLUG	CABLE INVERT (INV) PIN?	QUIESCENT I _{CC} (mA)	LOW POWER SHDN?	PIN COUNT
ISL32450E	Full	0.25	Yes	Yes	No	No	2.1	Yes	10, 14
ISL32452E	Half	0.25	Yes	Yes	No	No	2.1	Yes	8
ISL32453E	Full	1	Yes	Yes	No	No	2.1	Yes	10, 14
ISL32455E	Half	1	Yes	Yes	No	No	2.1	Yes	8
ISL32457E	Half	0.25	Yes	Tx Only	No	Yes	2.1	No	8

Ordering Information

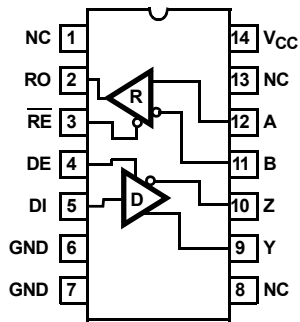
PART NUMBER (Notes 1, 2, 3)	PART MARKING	TEMP. RANGE (°C)	PACKAGE (Pb-Free)	PKG. DWG. #
ISL32450EIBZ	ISL32450 EIBZ	-40 to +85	14 Ld SOIC	M14.15
ISL32450EIUZ	2450E	-40 to +85	10 Ld MSOP	M10.118
ISL32452EIBZ	32452 EIBZ	-40 to +85	8 Ld SOIC	M8.15
ISL32452EIUZ	2452E	-40 to +85	8 Ld MSOP	M8.118
ISL32453EIBZ	ISL32453 EIBZ	-40 to +85	14 Ld SOIC	M14.15
ISL32453EIUZ	2453E	-40 to +85	10 Ld MSOP	M10.118
ISL32455EIBZ	32455 EIBZ	-40 to +85	8 Ld SOIC	M8.15
ISL32455EIUZ	2455E	-40 to +85	8 Ld MSOP	M8.118
ISL32457EIBZ	32457 EIBZ	-40 to +85	8 Ld SOIC	M8.15
ISL32457EIUZ	2457E	-40 to +85	8 Ld MSOP	M8.118

NOTES:

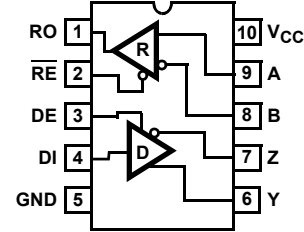
1. Add "-T*" suffix for tape and reel. Please refer to Tech Brief [TB347](#) for details on reel specifications.
2. These Intersil Pb-free plastic packaged products employ special Pb-free material sets, molding compounds/die attach materials, and 100% matte tin plate plus anneal (e3 termination finish, which is RoHS compliant and compatible with both SnPb and Pb-free soldering operations). Intersil Pb-free products are MSL classified at Pb-free peak reflow temperatures that meet or exceed the Pb-free requirements of IPC/JEDEC J STD-020.
3. For Moisture Sensitivity Level (MSL), please see device information pages for [ISL32450E](#), [ISL32452E](#), [ISL32453E](#), [ISL32455E](#), [ISL32457E](#). For more information on MSL please see Tech Brief [TB363](#).

Pin Configurations

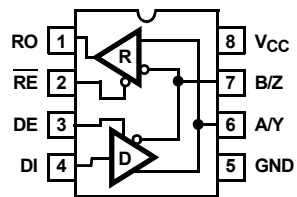
ISL32450E, ISL32453E
(14 LD SOIC)
TOP VIEW



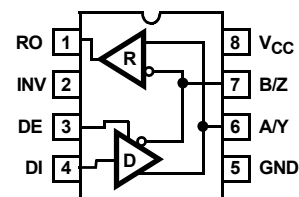
ISL32450E, ISL32453E
(10 LD MSOP)
TOP VIEW



ISL32452E, ISL32455E
(8 LD SOIC, 8 LD MSOP)
TOP VIEW



ISL32457E
(8 LD SOIC, 8 LD MSOP)
TOP VIEW



NOTE: Evaluate creepage and clearance requirements at your maximum fault voltage before using small pitch packages (e.g., MSOP).

Truth Tables

TRANSMITTING					
INPUTS				OUTPUTS	
\overline{RE}	DE	DI	INV (Note 4)	Y	Z
X	1	1	0	1	0
X	1	0	0	0	1
X	1	1	1	0	1
X	1	0	1	1	0
0	0	X	X	High-Z	High-Z
1	0	X	X	High-Z (Note 5)	High-Z (Note 5)

NOTES:

- Parts without the INV pin follow the rows with INV = "0" and "X".
- Low Power Shutdown Mode (see Notes 14 and 19).

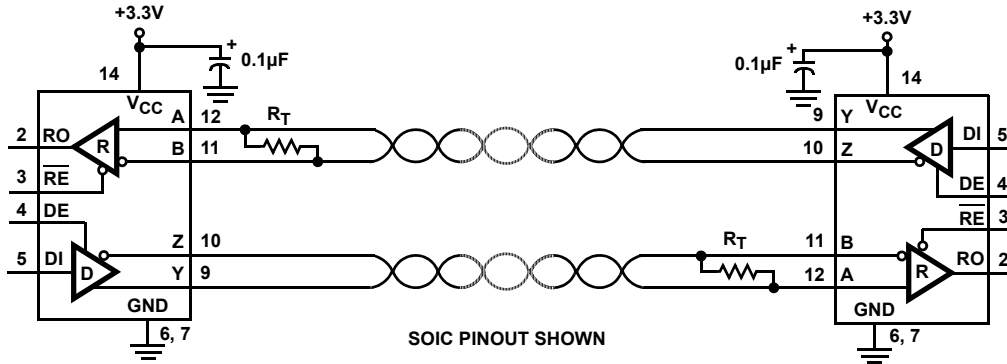
RECEIVING					
INPUTS					OUTPUT
\overline{RE} (Note 19)	DE (Half Duplex)	DE (Full Duplex)	A-B	INV (Note 4)	RO
0	0	X	$\geq -0.01V$	0	1
0	0	X	$\leq -0.2V$	0	0
0	0	X	$\leq 0.01V$	1	1
0	0	X	$\geq 0.2V$	1	0
0	0	X	Inputs Open or Shorted	X	1
1	0	0	X	X	High-Z (Note 5)
1	1	1	X	X	High-Z

ISL32450E, ISL32452E, ISL32453E, ISL32455E, ISL32457E

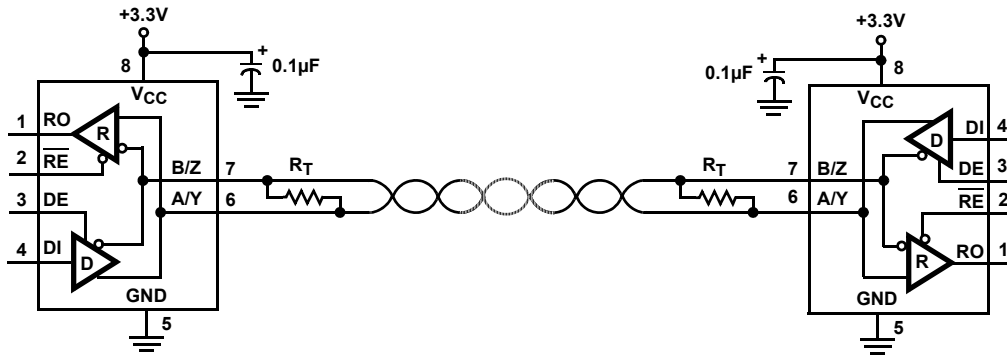
Pin Descriptions

PIN NAME	ISL32450E, ISL32453E, (14 LD SOIC) PIN #	ISL32450E, ISL32453E, (10 LD MSOP) PIN #	ISL32452E, ISL32455E (8 LD SOIC, 8 LD MSOP) PIN #	ISL32457E (8 LD SOIC, 8 LD MSOP) PIN #	FUNCTION
RO	2	1	1	1	Receiver output. For parts without the cable invert function - or if INV is low - then: if $A - B \geq -10\text{mV}$, RO is high; if $A - B \leq -200\text{mV}$, RO is low. If INV is high, then: if $B - A \geq -10\text{mV}$, RO is high; if $B - A \leq -200\text{mV}$, RO is low. In all cases, RO = High if A and B are unconnected (floating), or shorted together, or connected to an undriven, terminated bus (i.e., Rx is always failsafe open, shorted, and idle, even if polarity is inverted).
$\overline{\text{RE}}$	3	2	2	N/A	Receiver output enable. RO is enabled when $\overline{\text{RE}}$ is low; RO is high impedance when $\overline{\text{RE}}$ is high. Internally pulled low.
DE	4	3	3	3	Driver output enable. The driver outputs, Y and Z, are enabled by bringing DE high, and they are high impedance when DE is low. Internally pulled high.
DI	5	4	4	4	Driver input. For parts without the cable invert function - or if INV is low - a low on DI forces output Y low and output Z high, while a high on DI forces output Y high and output Z low. The output states, relative to DI, invert if INV is high.
GND	6, 7	5	5	5	Ground connection.
A/Y	N/A	N/A	6	6	$\pm 60\text{V}$ Fault Protected and $\pm 15\text{kV}$ ESD protected RS-485/RS-422 I/O pin. For parts without the cable invert function - or if INV is low - A/Y is the non-inverting receiver input and non-inverting driver output. If INV is high, A/Y is the inverting receiver input and the inverting driver output. Pin is an input if DE = 0; pin is an output if DE = 1.
B/Z	N/A	N/A	7	7	$\pm 60\text{V}$ Fault Protected and $\pm 15\text{kV}$ ESD protected RS-485/RS-422 I/O pin. For parts without the cable invert function - or if INV is low - B/Z is the inverting receiver input and inverting driver output. If INV is high, B/Z is the non-inverting receiver input and the non-inverting driver output. Pin is an input if DE = 0; pin is an output if DE = 1.
A	12	9	N/A	N/A	$\pm 60\text{V}$ Fault Protected and $\pm 15\text{kV}$ ESD protected RS-485/RS-422 non-inverting receiver input.
B	11	8	N/A	N/A	$\pm 60\text{V}$ Fault Protected and $\pm 15\text{kV}$ ESD protected RS-485/RS-422 inverting receiver input.
Y	9	6	N/A	N/A	$\pm 60\text{V}$ Fault Protected and $\pm 15\text{kV}$ ESD protected RS-485/RS-422 non-inverting driver output.
Z	10	7	N/A	N/A	$\pm 60\text{V}$ Fault Protected and $\pm 15\text{kV}$ ESD protected RS-485/RS-422 inverting driver output.
V _{CC}	14	10	8	8	System power supply input (3V to 5.5V).
INV	N/A	N/A	N/A	2	Receiver and driver Cable Invert (polarity selection) input. When driven high this pin swaps the polarity of the driver output and receiver input pins. If unconnected (floating) or connected low, normal RS-485 polarity conventions apply. Internally pulled low.
NC	1, 8, 13	N/A	N/A	N/A	No Internal Connection.

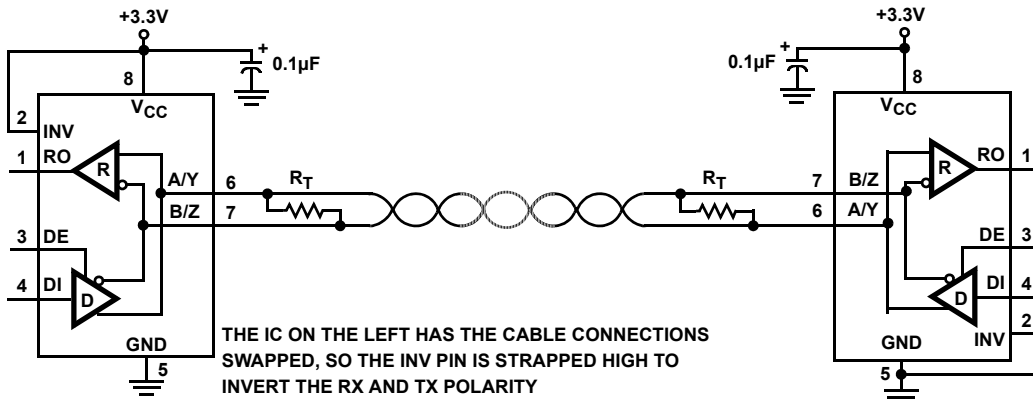
Typical Operating Circuits



ISL32450E, ISL32453E FULL DUPLEX NETWORK



ISL32452E, ISL32455E HALF DUPLEX NETWORK



ISL32457E HALF DUPLEX NETWORK USING CABLE INVERT FUNCTION

ISL32450E, ISL32452E, ISL32453E, ISL32455E, ISL32457E

Absolute Maximum Ratings

V _{CC} to Ground	7V
Input Voltages	
DI, DE, \overline{RE} , INV	-0.3V to V _{CC} + 0.3V
Input/Output Voltages	
A/Y, B/Z, A, B, Y, Z	±60V
A/Y, B/Z, A, B, Y, Z (Transient Pulse Through 100Ω, Note 6)	±80V
RO	-0.3V to (V _{CC} + 0.3V)
Short Circuit Duration	
Y, Z	Indefinite
ESD Rating	see "Electrical Specifications"
Latch-up (per JESD78, Level 2, Class A)	+125°C

Thermal Information

Thermal Resistance (Typical)	θ_{JA} (°C/W)	θ_{JC} (°C/W)
8 Ld SOIC Package (Notes 7, 8)	108	47
8 Ld MSOP Package (Notes 7, 8)	140	40
10 Ld MSOP Package (Notes 7, 8)	135	50
14 Ld SOIC Package (Notes 7, 8)	88	39
Maximum Junction Temperature (Plastic Package)	+150°C	
Maximum Storage Temperature Range	-65°C to +150°C	
Pb-free Reflow Profile	see link below	
	http://www.intersil.com/pbfree/Pb-FreeReflow.asp	

Recommended Operating Conditions

Supply Voltage (V _{CC})	3.3V or 5V
Temperature Range	-40°C to +85°C
Bus Pin Common Mode Voltage Range	-20V to +20V

CAUTION: Do not operate at or near the maximum ratings listed for extended periods of time. Exposure to such conditions may adversely impact product reliability and result in failures not covered by warranty.

NOTES:

- Tested according to TIA/EIA-485-A, Section 4.2.6 (±80V for 15μs at a 1% duty cycle).
- θ_{JA} is measured with the component mounted on a high effective thermal conductivity test board in free air. See Tech Brief [TB379](#) for details.
- For θ_{JC} , the "case temp" location is taken at the package top center.

Electrical Specifications Test Conditions: V_{CC} = 3V to 3.6V and 4.5V to 5.5V, unless otherwise specified. Typicals are at the worst case of V_{CC} = 5V or V_{CC} = 3.3V, T_A = +25°C (Note 9). **Boldface limits apply over the operating temperature range, -40°C to +85°C.**

PARAMETER	SYMBOL	TEST CONDITIONS	TEMP (°C)	MIN (Note 17)	TYP	MAX (Note 17)	UNITS	
DC CHARACTERISTICS								
Driver Differential V _{OUT} (No load)	V _{OD1}		Full	-	-	V _{CC}	V	
Driver Differential V _{OUT} (Loaded, Figure 3A)	V _{OD2}	R _L = 100Ω (RS-422), V _{CC} ≥ 4.5V	Full	2	3	-	V	
		R _L = 54Ω (RS-485)	V _{CC} ≥ 4.5V	Full	1.7	2.3	V _{CC}	V
			V _{CC} ≥ 3V	Full	1.1	1.3	V _{CC}	V
Change in Magnitude of Driver Differential V _{OUT} for Complementary Output States	ΔV _{OD}	R _L = 54Ω or 100Ω (Figure 3A)	Full	-	-	0.2	V	
Driver Differential V _{OUT} with Common Mode Load (Figure 3B)	V _{OD3}	R _L = 60Ω, -20V ≤ V _{CM} ≤ 20V, V _{CC} ≥ 4.5V	Full	1.5	-	-	V	
Driver Common-Mode V _{OUT} (Figure 3A)	V _{OC}	R _L = 54Ω or 100Ω	Full	-1	-	3	V	
Change in Magnitude of Driver Common-Mode V _{OUT} for Complementary Output States	ΔV _{OC}	R _L = 54Ω or 100Ω (Figure 3A)	Full	-	-	0.2	V	
Driver Short-Circuit Current	I _{OSD}	DE = V _{CC} , -20V ≤ V _O ≤ 20V (Note 11)	Full	-250	-	250	mA	
		At First Fold-back, 24V ≤ V _O ≤ -24V	Full	-83	-	83	mA	
		At Second Fold-back, 35V ≤ V _O ≤ -35V	Full	-13	-	13	mA	
Logic Input High Voltage	V _{IH}	DE, DI, \overline{RE} , INV (See Figure 25)	Full	2.35	-	-	V	
Logic Input Low Voltage	V _{IL}	DE, DI, \overline{RE} , INV	Full	-	-	0.8	V	
Logic Input Current	I _{IN1}	DI	Full	-1	-	1	μA	
		DE, \overline{RE} , INV	Full	-15	6	15	μA	

ISL32450E, ISL32452E, ISL32453E, ISL32455E, ISL32457E

Electrical Specifications Test Conditions: $V_{CC} = 3V$ to $3.6V$ and $4.5V$ to $5.5V$, unless otherwise specified. Typical values are at the worst case of $V_{CC} = 5V$ or $V_{CC} = 3.3V$, $T_A = +25^\circ C$ (Note 9). **Boldface limits apply over the operating temperature range, $-40^\circ C$ to $+85^\circ C$.** (Continued)

PARAMETER	SYMBOL	TEST CONDITIONS	TEMP ($^\circ C$)	MIN (Note 17)	TYP	MAX (Note 17)	UNITS	
Input/Output Current (A/Y, B/Z)	I_{IN2}	DE = 0V, $V_{CC} = 0V$ or 3.6V or 5.5V	$V_{IN} = 12V$	Full	-	-	250	μA
			$V_{IN} = -7V$	Full	-200	-	-	μA
			$V_{IN} = \pm 20V$	Full	-800	-	850	μA
			$V_{IN} = \pm 60V$, (Note 18)	Full	-6	-	6	mA
Input Current (A, B) (Full Duplex Versions Only)	I_{IN3}	$V_{CC} = 0V$ or 3.6V or 5.5V	$V_{IN} = 12V$	Full	-	-	125	μA
			$V_{IN} = -7V$	Full	-100	-	-	μA
			$V_{IN} = \pm 20V$	Full	-500	-	500	μA
			$V_{IN} = \pm 60V$, (Note 18)	Full	-3	-	3	mA
Output Leakage Current (Y, Z) (Full Duplex Versions Only)	I_{OZD}	$\overline{RE} = 0V$, DE = 0V, $V_{CC} = 0V$ or 3.6V or 5.5V	$V_{IN} = 12V$	Full	-	-	200	μA
			$V_{IN} = -7V$	Full	-100	-	-	μA
			$V_{IN} = \pm 20V$	Full	-500	-	500	μA
			$V_{IN} = \pm 60V$, (Note 18)	Full	-3	-	3	mA
Receiver Differential Threshold Voltage	V_{TH}	$-20V \leq V_{CM} \leq 20V$, (For ISL32457E only, A-B if INV = 0; B-A if INV = 1)	$V_{CC} \leq 3.6V$	Full	-200	-120	-10	mV
			$V_{CC} \geq 4.5V$	Full	-250	-180	-10	mV
Receiver Input Hysteresis	ΔV_{TH}	$-20V \leq V_{CM} \leq 20V$	+25	-	30	-	mV	
Receiver Output High Voltage	V_{OH1}	$V_{ID} = -10mV$	$I_O = -4mA$, $V_{CC} \geq 3V$	Full	2.4	-	-	V
	V_{OH2}		$I_O = -8mA$, $V_{CC} \geq 4.5V$	Full	2.4	-	-	V
Receiver Output Low Voltage	V_{OL}	$I_O = 4mA$, $V_{CC} \geq 3V$, $V_{ID} = -200mV$		Full	-	-	0.4	V
			$I_O = 5mA$, $V_{CC} \geq 4.5V$, $V_{ID} = -250mV$	Full	-	-	0.4	V
Three-State (High Impedance) Receiver Output Current (Note 19)	I_{OZR}	$0V \leq V_O \leq V_{CC}$	Full	-1	0.01	1	μA	
Receiver Short-Circuit Current	I_{OSR}	$0V \leq V_O \leq V_{CC}$	Full	-	-	± 115	mA	
SUPPLY CURRENT								
No-Load Supply Current (Note 10)	I_{CC}	DE = V_{CC} , $\overline{RE} = 0V$ or V_{CC} , DI = 0V or V_{CC}	Full	-	2.1	4.5	mA	
Shutdown Supply Current (Note 19)	I_{SHDN}	DE = 0V, $\overline{RE} = V_{CC}$, DI = 0V or V_{CC}	Full	-	10	35	μA	
ESD PERFORMANCE								
All Pins		Human Body Model (Tested per JESD22-A114E)	+25	-	± 8	-	kV	
		Machine Model (Tested per JESD22-A115-A)	+25	-	± 700	-	V	
RS-485 Pins (A, B, Y, Z, A/Y, B/Z)		Human Body Model, From Bus Pins to GND	Full Duplex	+25	-	± 15	-	kV
			Half Duplex	+25	-	± 16.5	-	kV
DRIVER SWITCHING CHARACTERISTICS (250kbps VERSIONS; ISL32450E, ISL32452E, ISL32457E)								
Driver Differential Output Delay	t_{PLH} , t_{PHL}	$R_D = 54\Omega$, $C_D = 50pF$ (Figure 4)	Full	-	280	1000	ns	
Driver Differential Output Skew	t_{SKEW}	$R_D = 54\Omega$, $C_D = 50pF$ (Figure 4)	Full	-	4	100	ns	
Driver Differential Rise or Fall Time	t_R , t_F	$R_D = 54\Omega$, $C_D = 50pF$ (Figure 4)	Full	250	650	1500	ns	
Maximum Data Rate	f_{MAX}	$C_D = 820pF$ (Figure 6)	Full	250	-	-	kbps	
Driver Enable to Output High	t_{ZH}	SW = GND (Figure 5), (Note 12)	Full	-	-	1600	ns	

ISL32450E, ISL32452E, ISL32453E, ISL32455E, ISL32457E

Electrical Specifications Test Conditions: $V_{CC} = 3V$ to $3.6V$ and $4.5V$ to $5.5V$, unless otherwise specified. Typical values are at the worst case of $V_{CC} = 5V$ or $V_{CC} = 3.3V$, $T_A = +25^\circ C$ (Note 9). **Boldface limits apply over the operating temperature range, $-40^\circ C$ to $+85^\circ C$.** (Continued)

PARAMETER	SYMBOL	TEST CONDITIONS	TEMP (°C)	MIN (Note 17)	TYP	MAX (Note 17)	UNITS
Driver Enable to Output Low	t_{ZL}	SW = V_{CC} (Figure 5), (Note 12)	Full	-	-	1600	ns
Driver Disable from Output Low	t_{LZ}	SW = V_{CC} (Figure 5)	Full	-	-	300	ns
Driver Disable from Output High	t_{HZ}	SW = GND (Figure 5)	Full	-	-	300	ns
Time to Shutdown	t_{SHDN}	(Notes 14, 19)	Full	60	160	600	ns
Driver Enable from Shutdown to Output High	$t_{ZH(SHDN)}$	SW = GND (Figure 5), (Notes 14, 15, 19)	Full	-	-	3000	ns
Driver Enable from Shutdown to Output Low	$t_{ZL(SHDN)}$	SW = V_{CC} (Figure 5), (Notes 14, 15, 19)	Full	-	-	3000	ns
DRIVER SWITCHING CHARACTERISTICS (1Mbps VERSIONS; ISL32453E, ISL32455E)							
Driver Differential Output Delay	t_{PLH}, t_{PHL}	$R_D = 54\Omega, C_D = 50pF$ (Figure 4)	Full	-	70	200	ns
Driver Differential Output Skew	t_{SKEW}	$R_D = 54\Omega, C_D = 50pF$ (Figure 4)	Full	-	4	25	ns
Driver Differential Rise or Fall Time	t_R, t_F	$R_D = 54\Omega, C_D = 50pF$ (Figure 4)	Full	50	130	300	ns
Maximum Data Rate	f_{MAX}	$C_D = 820pF$ (Figure 6)	Full	1	-	-	Mbps
Driver Enable to Output High	t_{ZH}	SW = GND (Figure 5), (Note 12)	Full	-	-	300	ns
Driver Enable to Output Low	t_{ZL}	SW = V_{CC} (Figure 5), (Note 12)	Full	-	-	300	ns
Driver Disable from Output Low	t_{LZ}	SW = V_{CC} (Figure 5)	Full	-	-	300	ns
Driver Disable from Output High	t_{HZ}	SW = GND (Figure 5)	Full	-	-	300	ns
Time to Shutdown	t_{SHDN}	(Note 14)	Full	60	160	600	ns
Driver Enable from Shutdown to Output High	$t_{ZH(SHDN)}$	SW = GND (Figure 5), (Notes 14, 15)	Full	-	-	3000	ns
Driver Enable from Shutdown to Output Low	$t_{ZL(SHDN)}$	SW = V_{CC} (Figure 5), (Notes 14, 15)	Full	-	-	3000	ns
RECEIVER SWITCHING CHARACTERISTICS (250kbps VERSIONS; ISL32450E, ISL32452E, ISL32457E)							
Maximum Data Rate	f_{MAX}	(Figure 7)	Full	250	-	-	kbps
Receiver Input to Output Delay	t_{PLH}, t_{PHL}	(Figure 7)	Full	-	240	325	ns
Receiver Skew $t_{PLH} - t_{PHL}$	t_{SKD}	(Figure 7)	Full	-	6	25	ns
Receiver Enable to Output Low	t_{ZL}	$R_L = 1k\Omega, C_L = 15pF, SW = V_{CC}$ (Figure 8), (Notes 13, 19)	Full	-	-	80	ns
Receiver Enable to Output High	t_{ZH}	$R_L = 1k\Omega, C_L = 15pF, SW = GND$ (Figure 8), (Notes 13, 19)	Full	-	-	80	ns
Receiver Disable from Output Low	t_{LZ}	$R_L = 1k\Omega, C_L = 15pF, SW = V_{CC}$ (Figure 8), (Note 19)	Full	-	-	80	ns
Receiver Disable from Output High	t_{HZ}	$R_L = 1k\Omega, C_L = 15pF, SW = GND$ (Figure 8), (Note 19)	Full	-	-	80	ns
Time to Shutdown	t_{SHDN}	(Notes 14, 19)	Full	60	160	600	ns
Receiver Enable from Shutdown to Output High	$t_{ZH(SHDN)}$	$R_L = 1k\Omega, C_L = 15pF, SW = GND$ (Figure 8), (Notes 14, 16, 19)	Full	-	-	2500	ns
Receiver Enable from Shutdown to Output Low	$t_{ZL(SHDN)}$	$R_L = 1k\Omega, C_L = 15pF, SW = V_{CC}$ (Figure 8), (Notes 14, 16, 19)	Full	-	-	2500	ns
RECEIVER SWITCHING CHARACTERISTICS (1Mbps VERSIONS; ISL32453E, ISL32455E)							
Maximum Data Rate	f_{MAX}	(Figure 7)	Full	1	-	-	Mbps
Receiver Input to Output Delay	t_{PLH}, t_{PHL}	(Figure 7)	Full	-	115	200	ns

ISL32450E, ISL32452E, ISL32453E, ISL32455E, ISL32457E

Electrical Specifications Test Conditions: $V_{CC} = 3V$ to $3.6V$ and $4.5V$ to $5.5V$, unless otherwise specified. Typical values are at the worst case of $V_{CC} = 5V$ or $V_{CC} = 3.3V$, $T_A = +25^\circ C$ (Note 9). **Boldface limits apply over the operating temperature range, $-40^\circ C$ to $+85^\circ C$.** (Continued)

PARAMETER	SYMBOL	TEST CONDITIONS	TEMP (°C)	MIN (Note 17)	TYP	MAX (Note 17)	UNITS
Receiver Skew $ t_{PLH} - t_{PHL} $	t_{SKD}	(Figure 7)	Full	-	4	20	ns
Receiver Enable to Output Low	t_{ZL}	$R_L = 1k\Omega$, $C_L = 15pF$, $SW = V_{CC}$ (Figure 8), (Note 13)	Full	-	-	80	ns
Receiver Enable to Output High	t_{ZH}	$R_L = 1k\Omega$, $C_L = 15pF$, $SW = GND$ (Figure 8), (Note 13)	Full	-	-	80	ns
Receiver Disable from Output Low	t_{LZ}	$R_L = 1k\Omega$, $C_L = 15pF$, $SW = V_{CC}$ (Figure 8)	Full	-	-	80	ns
Receiver Disable from Output High	t_{HZ}	$R_L = 1k\Omega$, $C_L = 15pF$, $SW = GND$ (Figure 8)	Full	-	-	80	ns
Time to Shutdown	t_{SHDN}	(Note 14)	Full	60	160	600	ns
Receiver Enable from Shutdown to Output High	$t_{ZH(SHDN)}$	$R_L = 1k\Omega$, $C_L = 15pF$, $SW = GND$ (Figure 8), (Notes 14, 16)	Full	-	-	2500	ns
Receiver Enable from Shutdown to Output Low	$t_{ZL(SHDN)}$	$R_L = 1k\Omega$, $C_L = 15pF$, $SW = V_{CC}$ (Figure 8), (Notes 14, 16)	Full	-	-	2500	ns

NOTES:

- All currents into device pins are positive; all currents out of device pins are negative. All voltages are referenced to device ground unless otherwise specified.
- Supply current specification is valid for loaded drivers when $DE = 0V$.
- Applies to peak current. See "Typical Performance Curves" beginning on page 14 for more information.
- Keep $\overline{RE} = 0$ to prevent the device from entering SHDN (does not apply to the ISL32457E).
- The \overline{RE} signal high time must be short enough (typically $<100ns$) to prevent the device from entering SHDN.
- Transceivers are put into shutdown by bringing \overline{RE} high and DE low. If the inputs are in this state for less than $60ns$, the parts are guaranteed not to enter shutdown. If the inputs are in this state for at least $600ns$, the parts are guaranteed to have entered shutdown. See "Low Power Shutdown Mode" on page 13.
- Keep $\overline{RE} = V_{CC}$, and set the DE signal low time $>600ns$ to ensure that the device enters SHDN.
- Set the \overline{RE} signal high time $>600ns$ to ensure that the device enters SHDN.
- Compliance to data sheet limits is assured by one or more methods: production test, characterization and/or design.
- See "Caution" statement below the "Recommended Operating Conditions" on page 6.
- Does not apply to the ISL32457E. The ISL32457E has no Rx enable function, and thus no SHDN function.

Test Circuits and Waveforms

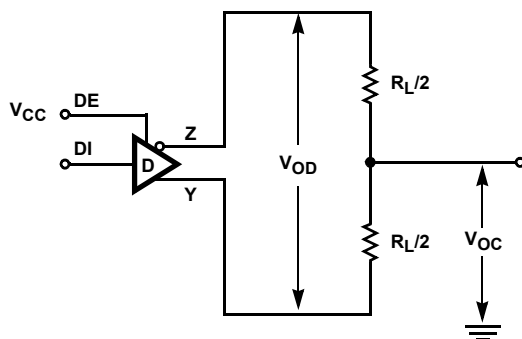


FIGURE 3A. V_{OD} AND V_{OC}

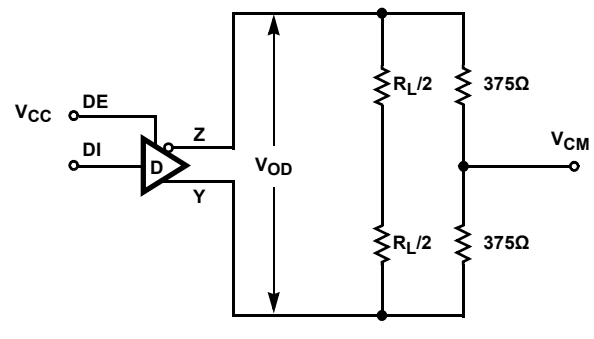


FIGURE 3B. V_{OD} WITH COMMON MODE LOAD

FIGURE 3. DC DRIVER TEST CIRCUITS

Test Circuits and Waveforms (Continued)

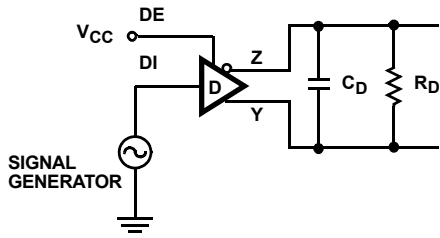


FIGURE 4A. TEST CIRCUIT

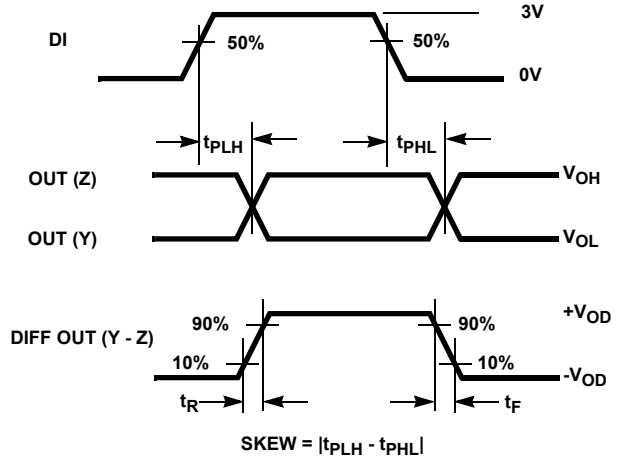


FIGURE 4B. MEASUREMENT POINTS

FIGURE 4. DRIVER PROPAGATION DELAY AND DIFFERENTIAL TRANSITION TIMES

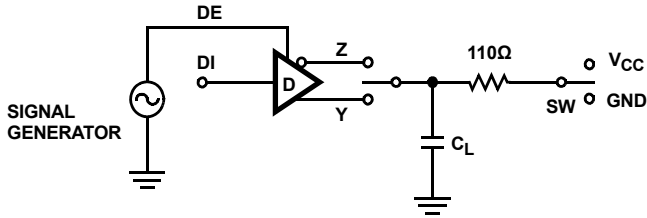


FIGURE 5A. TEST CIRCUIT

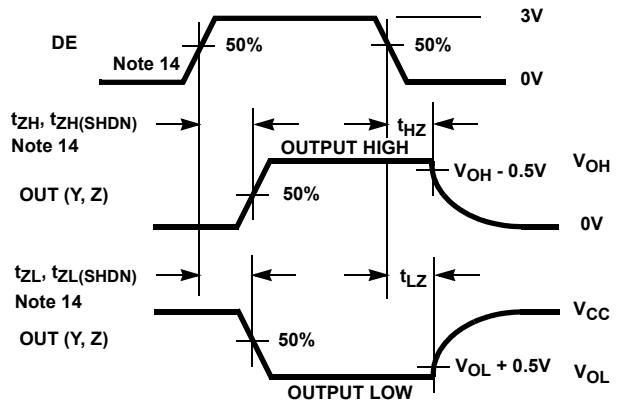


FIGURE 5B. MEASUREMENT POINTS

FIGURE 5. DRIVER ENABLE AND DISABLE TIMES

PARAMETER	OUTPUT	RE	DI	SW	CL (pF)
tHZ	Y/Z	X	1/0	GND	50
tLZ	Y/Z	X	0/1	VCC	50
tZH	Y/Z	0 (Note 12)	1/0	GND	100
tZL	Y/Z	0 (Note 12)	0/1	VCC	100
tZH(SHDN)	Y/Z	1 (Note 15)	1/0	GND	100
tZL(SHDN)	Y/Z	1 (Note 15)	0/1	VCC	100

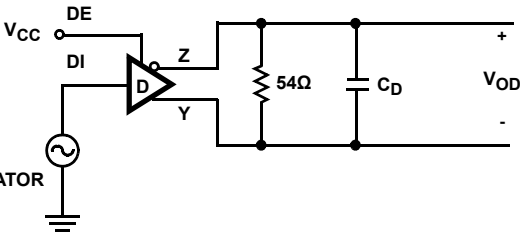


FIGURE 6A. TEST CIRCUIT

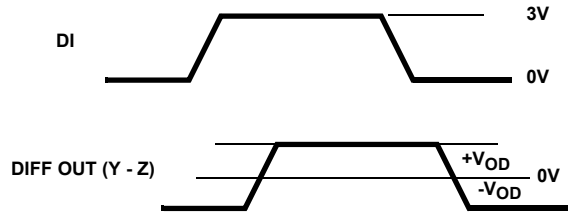


FIGURE 6B. MEASUREMENT POINTS

FIGURE 6. DRIVER DATA RATE

Test Circuits and Waveforms (Continued)

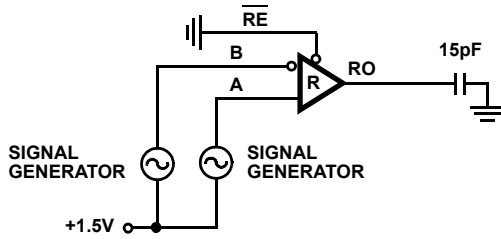


FIGURE 7A. TEST CIRCUIT

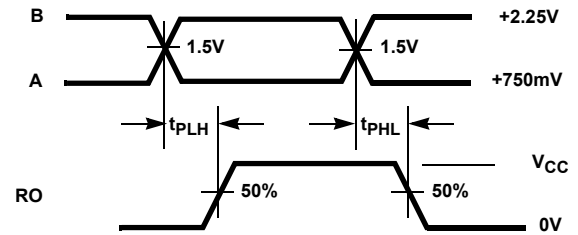
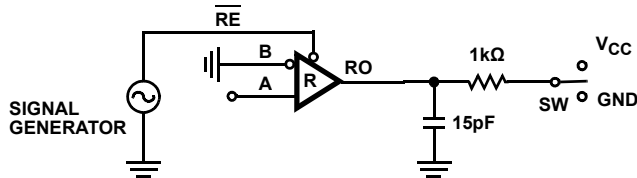


FIGURE 7B. MEASUREMENT POINTS

FIGURE 7. RECEIVER PROPAGATION DELAY AND DATA RATE



PARAMETER	DE	A	SW
t_{HZ}	0	+1.5V	GND
t_{LZ}	0	-1.5V	V_{CC}
t_{ZH} (Note 13)	0	+1.5V	GND
t_{ZL} (Note 13)	0	-1.5V	V_{CC}
$t_{ZH(SHDN)}$ (Note 16)	0	+1.5V	GND
$t_{ZL(SHDN)}$ (Note 16)	0	-1.5V	V_{CC}

FIGURE 8A. TEST CIRCUIT

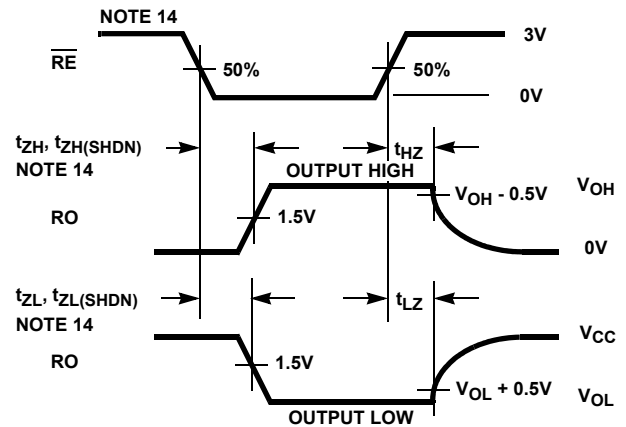


FIGURE 8B. MEASUREMENT POINTS

FIGURE 8. RECEIVER ENABLE AND DISABLE TIMES

Application Information

RS-485 and RS-422 are differential (balanced) data transmission standards used for long haul or noisy environments. RS-422 is a subset of RS-485, so RS-485 transceivers are also RS-422 compliant. RS-422 is a point-to-multipoint (multidrop) standard, which allows only one driver and up to 10 (assuming one unit load devices) receivers on each bus. RS-485 is a true multipoint standard, which allows up to 32 one unit load devices (any combination of drivers and receivers) on each bus. To allow for multipoint operation, the RS-485 specification requires that drivers must handle bus contention without sustaining any damage.

Another important advantage of RS-485 is the extended common mode range (CMR), which specifies that the driver outputs and receiver inputs withstand signals that range from +12V to -7V. RS-422 and RS-485 are intended for runs as long as 4000 feet; thus, the wide CMR is necessary to handle ground potential differences, as well as voltages induced in the cable by external fields.

The ISL32450E, ISL32452E, ISL32453E, ISL32455E, ISL32457E are a family of ruggedized RS-485 transceivers that improve on the RS-485 basic requirements and therefore increases system reliability. The CMR increases to $\pm 20V$, while the RS-485 bus pins (receiver inputs and driver outputs) include fault protection against voltages and transients up to $\pm 60V$. Additionally, the $\pm 15kV$ to $\pm 16.5kV$ built-in ESD protection complements the fault protection.

Receiver (Rx) Features

These devices utilize a differential input receiver for maximum noise immunity and common mode rejection. Input sensitivity is better than $\pm 200mV$ (3.3V operation), as required by the RS-422 and RS-485 specifications.

Receiver input (load) current surpasses the RS-422 specification of 3mA, and is four times lower than the RS-485 "Unit Load (UL)" requirement of 1mA maximum. Thus, these products are known as "one-quarter UL" transceivers, and there can be up to 128 of these devices on a network while still complying with the RS-485 loading specification.

The Rx functions with common mode voltages as great as $\pm 20V$, making them ideal for industrial or long networks where induced voltages are a realistic concern.

All the receivers include a "full fail-safe" function that guarantees a high level receiver output if the receiver inputs are unconnected (floating), shorted together, or connected to a terminated bus with all the transmitters disabled (i.e., an idle bus).

Receivers easily meet the data rates supported by the corresponding driver, and most receiver outputs are three-statable via the active low \overline{RE} input.

The Rx in the 250kbps and 1Mbps versions include noise filtering circuitry to reject high frequency signals. The 1Mbps version typically rejects pulses narrower than 50ns (equivalent to 20Mbps), while the 250kbps Rx rejects pulses below 150ns (6.7Mbps).

Driver (Tx) Features

The RS-485/RS-422 driver is a differential output device that delivers at least 1.7V across a 54Ω load (RS-485), and at least 2V across a 100Ω load (RS-422) with $V_{CC} \geq 4.5V$. The drivers feature low propagation delay skew to maximize bit width and to minimize EMI, and all drivers are three-statable via the active high DE input.

The 250kbps and 1Mbps driver outputs are slew rate limited to minimize EMI and to minimize reflections in unterminated or improperly terminated networks.

High Overvoltage (Fault) Protection Increases Ruggedness

NOTE: The available smaller pitch package (MSOP) may not meet the creepage and clearance (C&C) requirements for $\pm 60V$ levels. The user is advised to determine his C&C requirements before selecting a package type.

The $\pm 60V$ (referenced to the IC GND) fault protection on the RS-485 pins makes these transceivers some of the most rugged on the market. This level of protection makes the ISL32450E, ISL32452E, ISL32453E, ISL32455E, ISL32457E ideal for applications in which power (e.g., 24V and 48V supplies) must be routed in the conduit with the data lines and for outdoor applications where large transients are likely to occur. When power is routed with the data lines, even a momentary short between the supply and data lines will destroy an unprotected device. The $\pm 60V$ fault levels of this family are at least four times higher than the levels specified for standard RS-485 ICs. The ISL32450E, ISL32452E, ISL32453E, ISL32455E, ISL32457E protection is active whether the Tx is enabled or disabled, and even if the IC is powered down.

If transients or voltages (including overshoots and ringing) greater than $\pm 60V$ are possible, then additional external protection is required. Use a protection device with the lowest clamping voltage acceptable for the application, and remember that TVS type devices typically clamp 5V to 10V above the designated stand-off voltage (e.g., a "54V TVS" clamps between 60V and 66V).

Wide Common Mode Voltage (CMV) Tolerance Improves Operating Range

RS-485 networks operating in industrial complexes or over long distances are susceptible to large CMV variations. Either of these operating environments may suffer from large node-to-node ground potential differences or CMV pickup from external electromagnetic sources, and devices with only the minimum required +12V to -7V CMR may malfunction. The ISL32450E, ISL32452E, ISL32453E, ISL32455E, ISL32457E extended $\pm 20V$ CMR allows for operation in environments that would overwhelm lesser transceivers. Additionally, the Rx will not phase invert (erroneously change state) even with CMVs of $\pm 25V$ or differential voltages as large as 40V.

Cable Invert (Polarity Reversal) Function

With large node count RS-485 networks, it is common for some cable data lines to be wired backwards during installation. When this happens, the node is unable to communicate over the network. Once a technician finds the miswired node, he must then rewire the connector, which is time consuming.

ISL32450E, ISL32452E, ISL32453E, ISL32455E, ISL32457E

The ISL32457E simplifies this task by including a cable invert pin (INV) that allows the technician to invert the polarity of the Rx input and the Tx output pins simply by moving a jumper to change the state of the invert pin. When the invert pin is low, the IC operates like any standard RS-485 transceiver, and the bus pins have their normal polarity definition of A and Y as noninverting and B and Z as inverting. With the invert pin high, the corresponding bus pins reverse their polarity, so B and Z become noninverting, and A and Y become inverting.

Intersil's unique cable invert function is superior to that found on competing devices, because the Rx full fail-safe function is maintained, even when the Rx polarity is reversed. Competitor devices implement the Rx invert function simply by inverting the Rx output. This means that with the Rx inputs floating or shorted together, the Rx appropriately delivers a logic 1 in normal polarity, but outputs a logic low when the IC is operated in the inverted mode. Intersil's innovative Rx design guarantees that, with the Rx inputs floating or shorted together ($V_{ID} = 0V$), the Rx output remains high, regardless of the state of the invert pin.

Data Rate, Cables, and Terminations

RS-485/RS-422 are intended for network lengths up to 4000ft, but the maximum system data rate decreases as the transmission length increases. Devices operating at 1Mbps can operate at full data rates with lengths up to 800ft (244m). Jitter is the limiting parameter at this faster data rate, so employing encoded data streams (e.g., Manchester coded or Return-to-Zero) may allow increased transmission distances. The slow versions can operate at 115kbps or less at the full 4000ft (1220m) distance, or at 250kbps for lengths up to 3000ft (915m). DC cable attenuation is the limiting parameter, so using better quality cables (e.g., 22 AWG) may allow increased transmission distance.

Twisted pair is the cable of choice for RS-485/RS-422 networks. Twisted pair cables tend to pick up noise and other electromagnetically induced voltages as common mode signals, which are effectively rejected by the differential receivers in these ICs.

Short networks using the 250kbps versions need not be terminated; however, terminations are recommended unless power dissipation is an overriding concern.

In point-to-point or point-to-multipoint (single driver on bus like RS-422) networks, the main cable should be terminated in its characteristic impedance (typically 120Ω) at the end farthest from the driver. In multi-receiver applications, stubs connecting receivers to the main cable should be kept as short as possible. Multipoint (multi-driver) systems require that the main cable be terminated in its characteristic impedance at both ends. Stubs connecting a transceiver to the main cable should be kept as short as possible.

Built-In Driver Overload Protection

As stated previously, the RS-485 specification requires that drivers survive worst-case bus contentions undamaged. These transceivers meet this requirement via driver output short-circuit current limits and on-chip thermal shutdown circuitry.

The driver output stages incorporate a double fold-back short-circuit current limiting scheme, which ensures that the

output current never exceeds the RS-485 specification, even at the common mode and fault condition voltage range extremes. The first fold-back current level ($\approx 83mA$) is set to ensure that the driver never folds back when driving loads with common mode voltages up to $\pm 20V$. The very low second fold-back current setting ($\approx 13mA$) minimizes power dissipation if the Tx is enabled when a fault occurs.

In the event of a major short-circuit condition, devices also include a thermal shutdown feature that disables the drivers whenever the die temperature becomes excessive. This eliminates the power dissipation, allowing the die to cool. The drivers automatically re-enable after the die temperature drops about $+15^\circ C$. If the contention persists, the thermal shutdown/re-enable cycle repeats until the fault is cleared. Receivers stay operational during thermal shutdown.

Low Power Shutdown Mode

These BiCMOS transceivers all use a fraction of the power required by competitive devices, but they (excluding ISL32457E) also include a shutdown feature that reduces the already low quiescent I_{CC} to a $10\mu A$ trickle. These devices enter shutdown whenever the receiver and driver are *simultaneously* disabled ($\overline{RE} = V_{CC}$ and $DE = GND$) for a period of at least 600ns. Disabling both the driver and the receiver for less than 60ns guarantees that the transceiver will not enter shutdown.

Note that receiver and driver enable times increase when the transceiver enables from shutdown. Refer to Notes 12, 13, 14, 15 and 16, at the end of the "Electrical Specification" table on page 9, for more information.

Typical Performance Curves $T_A = +25^\circ\text{C}$; Unless Otherwise Specified.

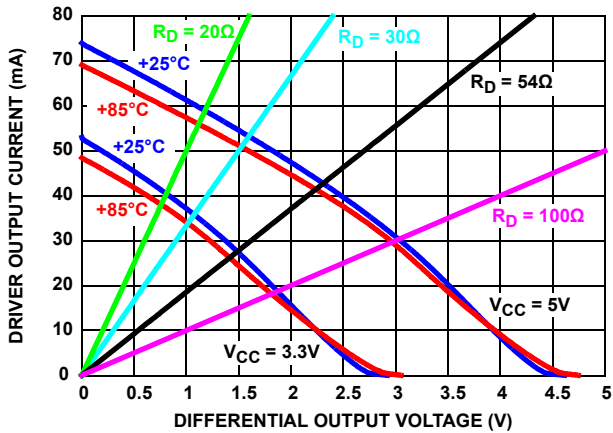


FIGURE 9. DRIVER OUTPUT CURRENT vs DIFFERENTIAL OUTPUT VOLTAGE

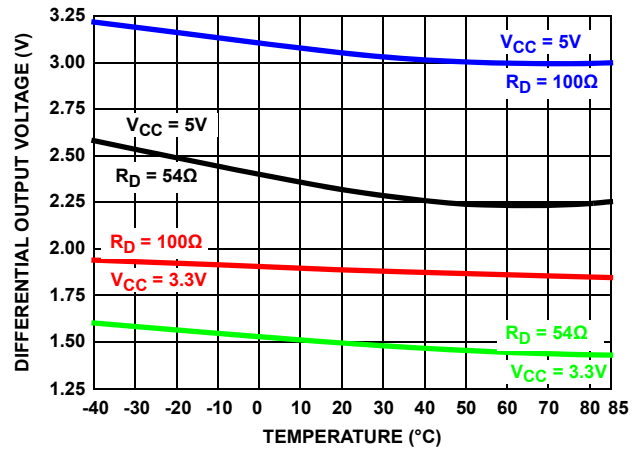


FIGURE 10. DRIVER DIFFERENTIAL OUTPUT VOLTAGE vs TEMPERATURE

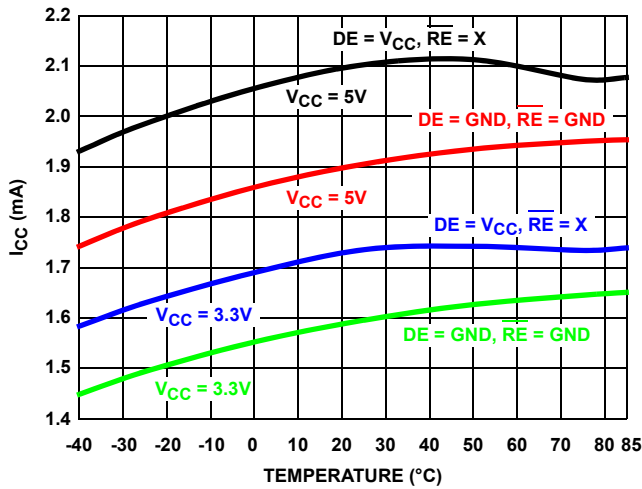


FIGURE 11. SUPPLY CURRENT vs TEMPERATURE

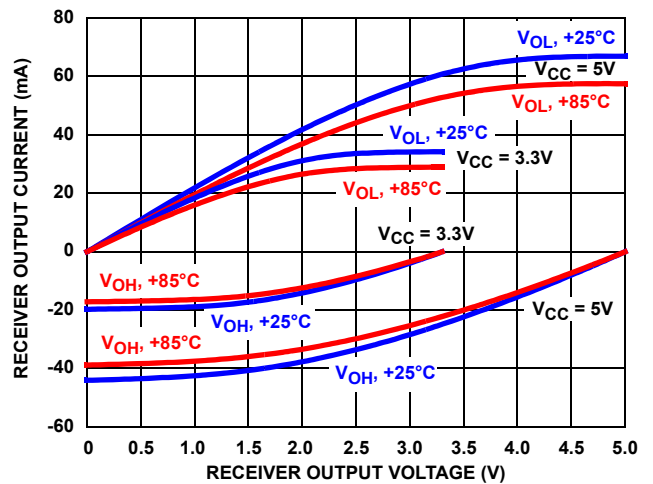


FIGURE 12. RECEIVER OUTPUT CURRENT vs RECEIVER OUTPUT VOLTAGE

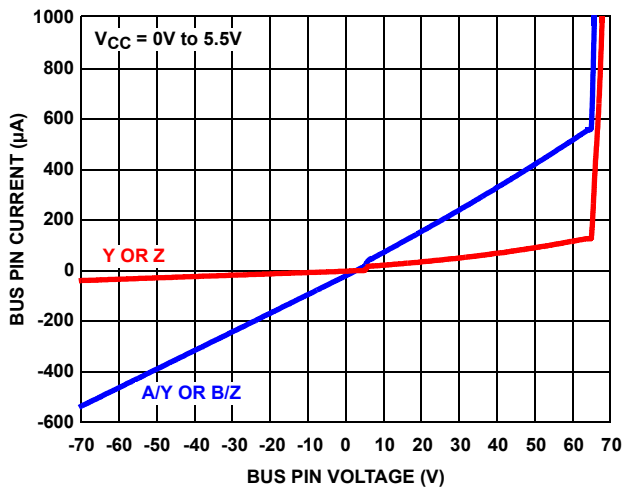


FIGURE 13. BUS PIN CURRENT vs BUS PIN VOLTAGE

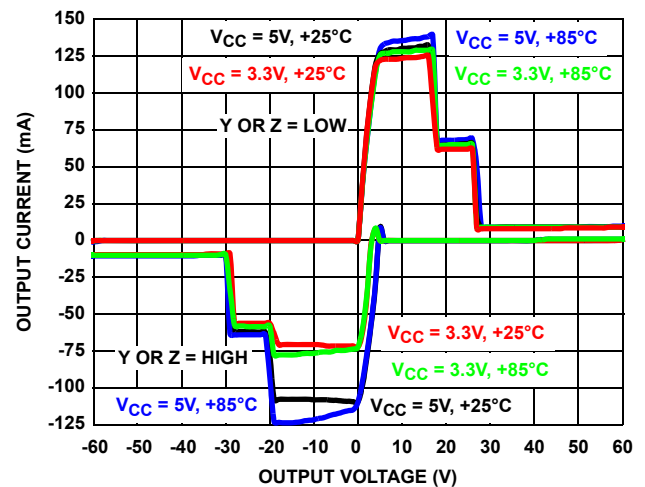


FIGURE 14. DRIVER OUTPUT CURRENT vs SHORT CIRCUIT VOLTAGE

ISL32450E, ISL32452E, ISL32453E, ISL32455E, ISL32457E

Typical Performance Curves $T_A = +25^\circ\text{C}$; Unless Otherwise Specified. (Continued)

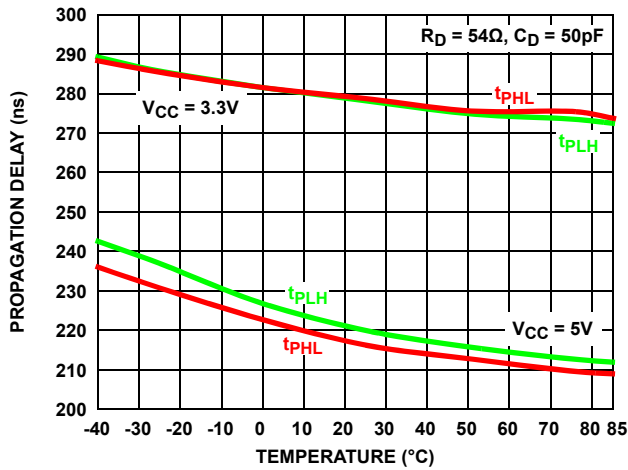


FIGURE 15. DRIVER DIFFERENTIAL PROPAGATION DELAY vs TEMPERATURE (ISL32450E, ISL32452E, ISL32457E)

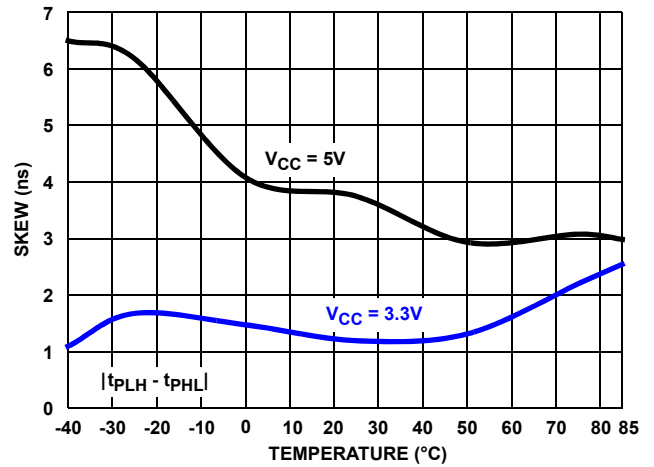


FIGURE 16. DRIVER DIFFERENTIAL SKEW vs TEMPERATURE (ISL32450E, ISL32452E, ISL32457E)

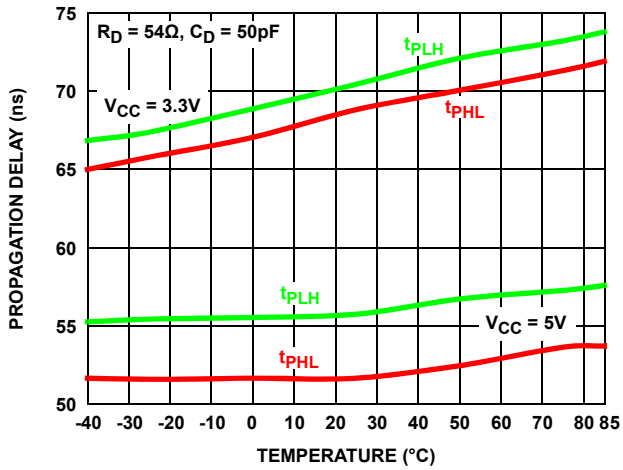


FIGURE 17. DRIVER DIFFERENTIAL PROPAGATION DELAY vs TEMPERATURE (ISL32453E, ISL32455E)

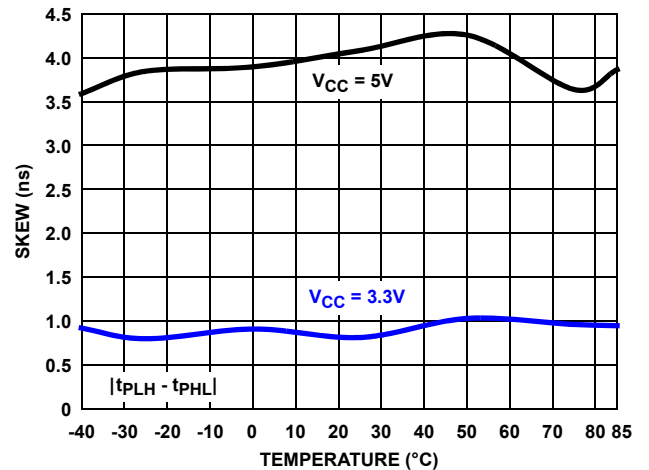


FIGURE 18. DRIVER DIFFERENTIAL SKEW vs TEMPERATURE (ISL32453E, ISL32455E)

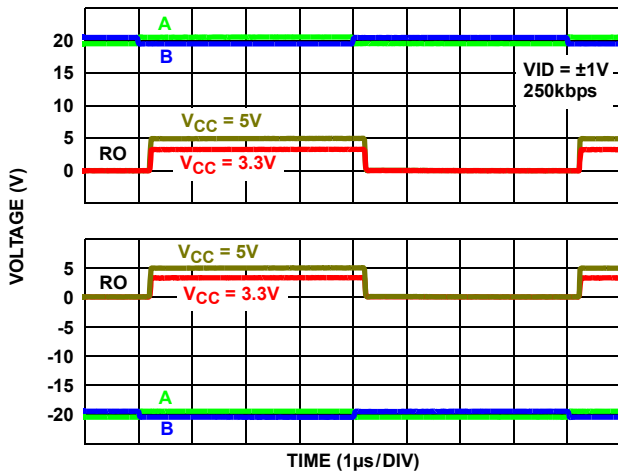


FIGURE 19. $\pm 20\text{V}$ RECEIVER PERFORMANCE (ISL32450E, ISL32452E, ISL32457E)

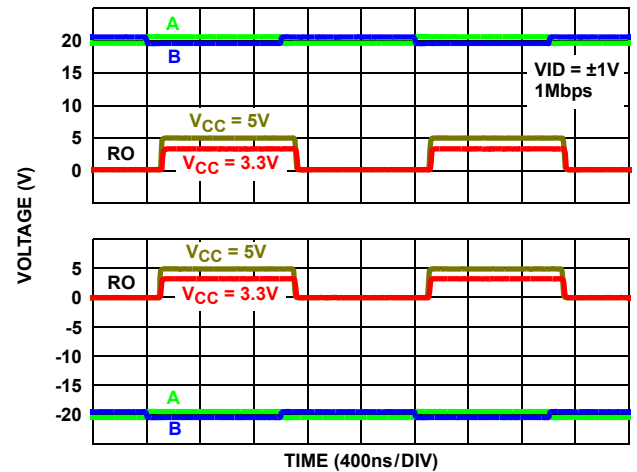


FIGURE 20. $\pm 20\text{V}$ RECEIVER PERFORMANCE (ISL32453E, ISL32455E)

Typical Performance Curves

$T_A = +25^\circ\text{C}$; Unless Otherwise Specified. (Continued)

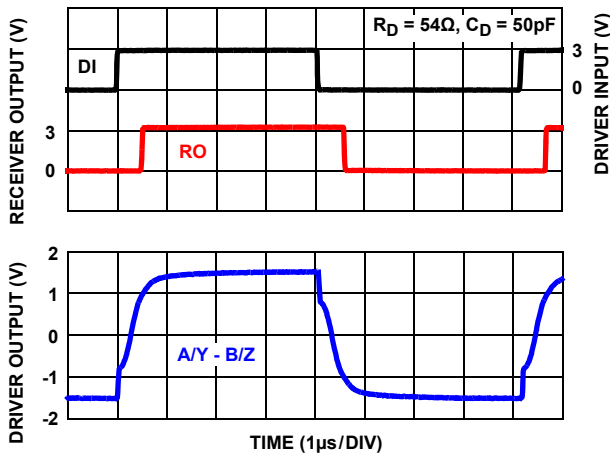


FIGURE 21. $V_{CC} = 3.3\text{V}$, DRIVER AND RECEIVER WAVEFORMS (ISL32450E, ISL32452E, ISL32457E)

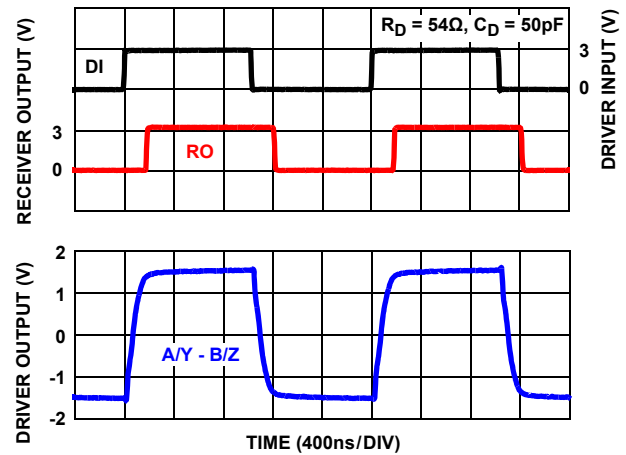


FIGURE 22. $V_{CC} = 3.3\text{V}$, DRIVER AND RECEIVER WAVEFORMS (ISL32453E, ISL32455E)

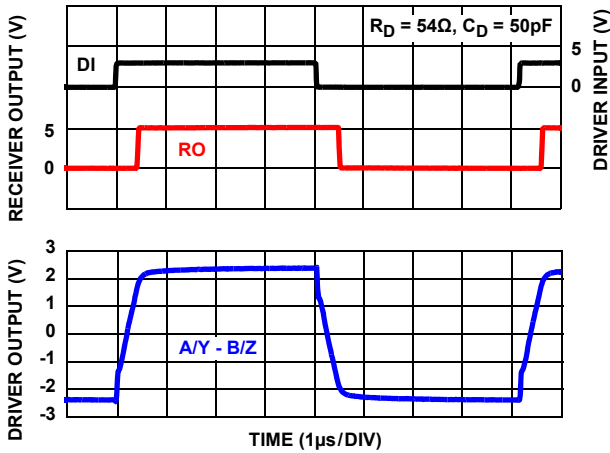


FIGURE 23. $V_{CC} = 5\text{V}$, DRIVER AND RECEIVER WAVEFORMS (ISL32450E, ISL32452E, ISL32457E)

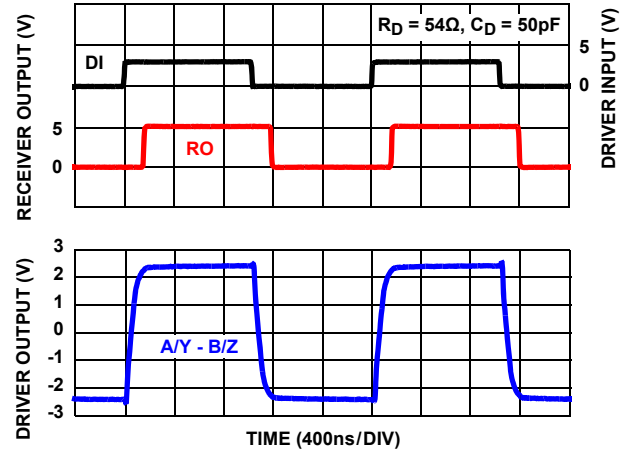


FIGURE 24. $V_{CC} = 5\text{V}$, DRIVER AND RECEIVER WAVEFORMS (ISL32453E, ISL32455E)

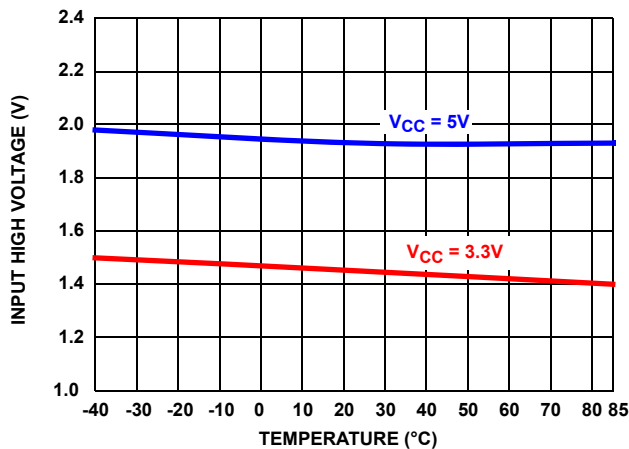


FIGURE 25. LOGIC INPUT HIGH VOLTAGE vs TEMPERATURE

Die Characteristics

SUBSTRATE POTENTIAL (POWERED UP):

GND

PROCESS:

Si Gate BiCMOS

ISL32450E, ISL32452E, ISL32453E, ISL32455E, ISL32457E

Revision History

The revision history provided is for informational purposes only and is believed to be accurate, but not warranted. Please go to web to make sure you have the latest Rev.

DATE	REVISION	CHANGE
February 20, 2012	FN7921.0	Initial Release

Products

Intersil Corporation is a leader in the design and manufacture of high-performance analog semiconductors. The Company's products address some of the industry's fastest growing markets, such as, flat panel displays, cell phones, handheld products, and notebooks. Intersil's product families address power management and analog signal processing functions. Go to www.intersil.com/products for a complete list of Intersil product families.

For a complete listing of Applications, Related Documentation and Related Parts, please see the respective device information page on intersil.com: [ISL32450E](http://www.intersil.com/products), [ISL32452E](http://www.intersil.com/products), [ISL32453E](http://www.intersil.com/products), [ISL32455E](http://www.intersil.com/products), [ISL32457E](http://www.intersil.com/products)

To report errors or suggestions for this datasheet, please go to www.intersil.com/askourstaff

FITs are available from our website at <http://rel.intersil.com/reports/search.php>

For additional products, see www.intersil.com/product_tree

Intersil products are manufactured, assembled and tested utilizing ISO9000 quality systems as noted in the quality certifications found at www.intersil.com/design/quality

Intersil products are sold by description only. Intersil Corporation reserves the right to make changes in circuit design, software and/or specifications at any time without notice. Accordingly, the reader is cautioned to verify that data sheets are current before placing orders. Information furnished by Intersil is believed to be accurate and reliable. However, no responsibility is assumed by Intersil or its subsidiaries for its use; nor for any infringements of patents or other rights of third parties which may result from its use. No license is granted by implication or otherwise under any patent or patent rights of Intersil or its subsidiaries.

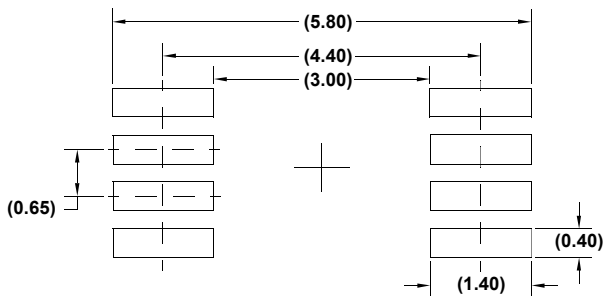
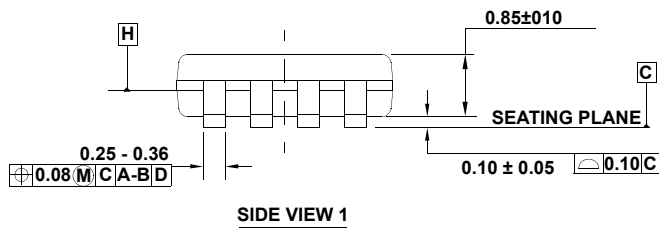
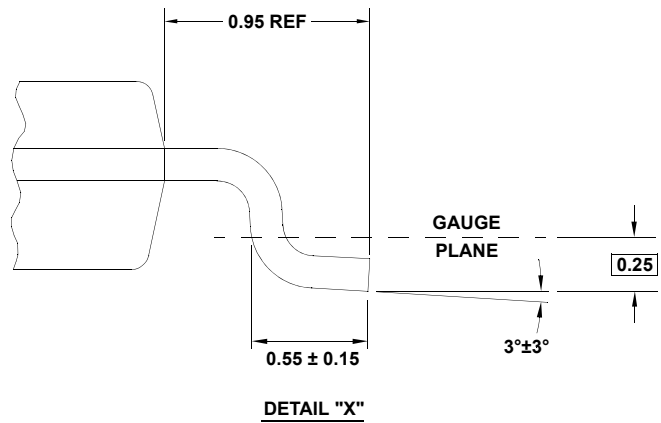
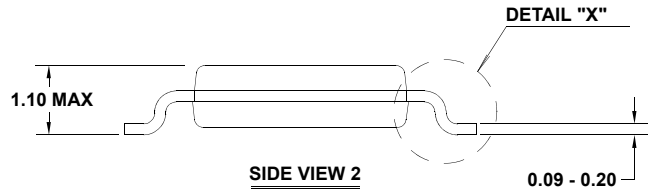
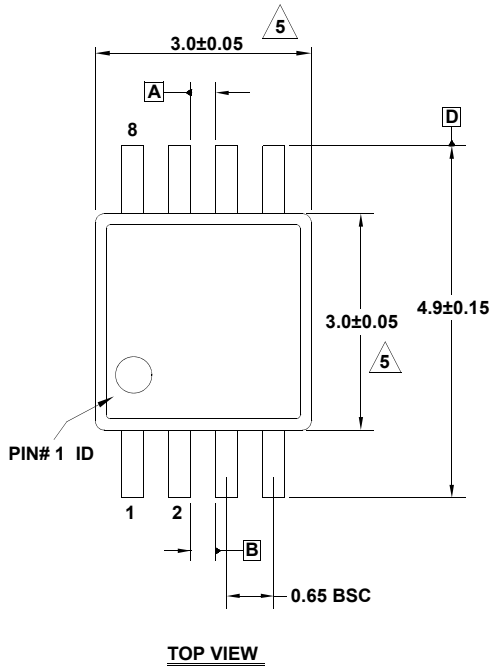
For information regarding Intersil Corporation and its products, see www.intersil.com

Package Outline Drawing

M8.118

8 LEAD MINI SMALL OUTLINE PLASTIC PACKAGE

Rev 4, 7/11



NOTES:

1. Dimensions are in millimeters.
2. Dimensioning and tolerancing conform to JEDEC MO-187-AA and AMSEY14.5m-1994.
3. Plastic or metal protrusions of 0.15mm max per side are not included.
4. Plastic interlead protrusions of 0.15mm max per side are not included.

5. Dimensions are measured at Datum Plane "H".

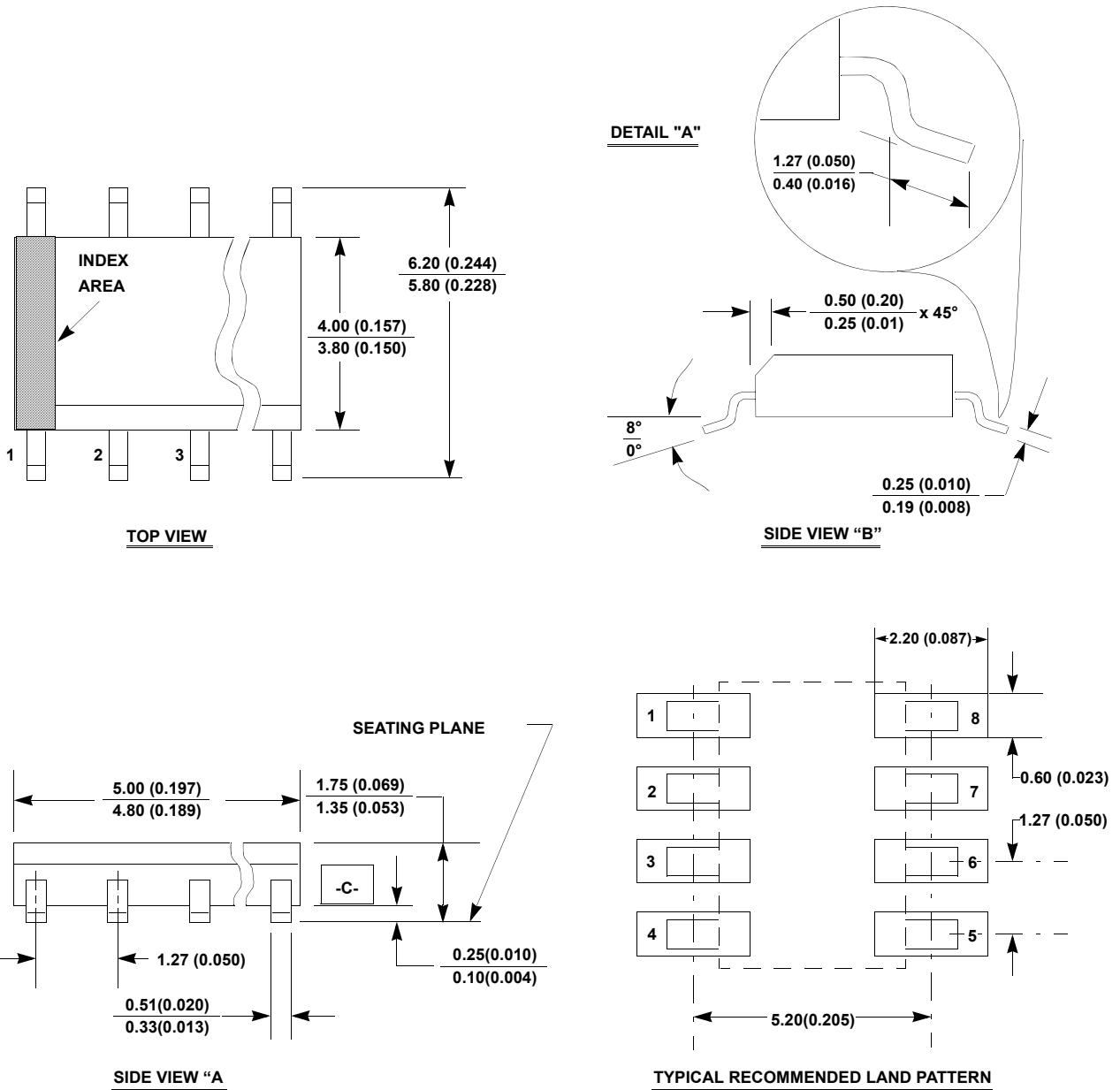
6. Dimensions in () are for reference only.

Package Outline Drawing

M8.15

8 LEAD NARROW BODY SMALL OUTLINE PLASTIC PACKAGE

Rev 4, 1/12

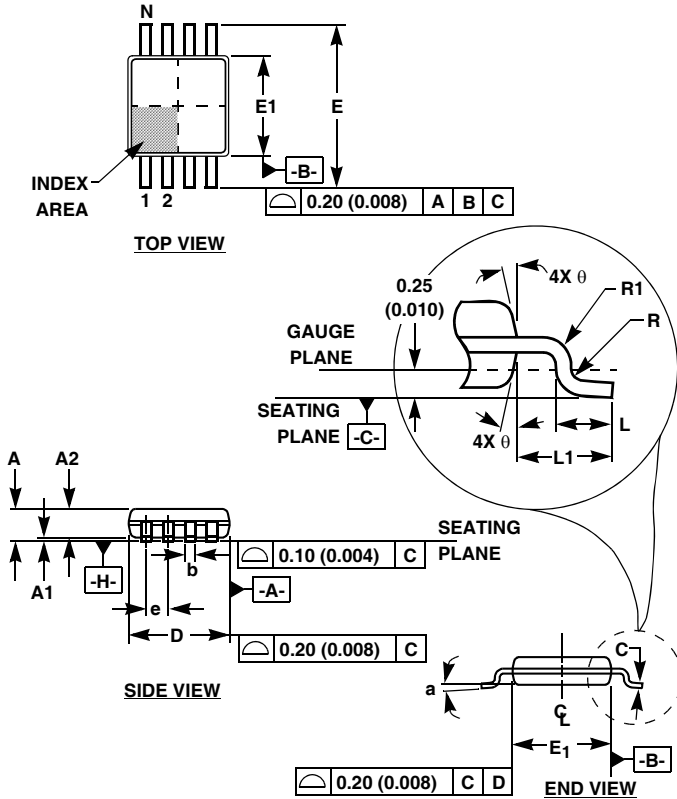


NOTES:

1. Dimensioning and tolerancing per ANSI Y14.5M-1994.
2. Package length does not include mold flash, protrusions or gate burrs. Mold flash, protrusion and gate burrs shall not exceed 0.15mm (0.006 inch) per side.
3. Package width does not include interlead flash or protrusions. Interlead flash and protrusions shall not exceed 0.25mm (0.010 inch) per side.
4. The chamfer on the body is optional. If it is not present, a visual index feature must be located within the crosshatched area.
5. Terminal numbers are shown for reference only.
6. The lead width as measured 0.36mm (0.014 inch) or greater above the seating plane, shall not exceed a maximum value of 0.61mm (0.024 inch).
7. Controlling dimension: MILLIMETER. Converted inch dimensions are not necessarily exact.
8. This outline conforms to JEDEC publication MS-012-AA ISSUE C.

ISL32450E, ISL32452E, ISL32453E, ISL32455E, ISL32457E

Mini Small Outline Plastic Packages (MSOP)



M10.118 (JEDEC MO-187BA) 10 LEAD MINI SMALL OUTLINE PLASTIC PACKAGE

SYMBOL	INCHES		MILLIMETERS		NOTES
	MIN	MAX	MIN	MAX	
A	0.037	0.043	0.94	1.10	-
A1	0.002	0.006	0.05	0.15	-
A2	0.030	0.037	0.75	0.95	-
b	0.007	0.011	0.18	0.27	9
c	0.004	0.008	0.09	0.20	-
D	0.116	0.120	2.95	3.05	3
E1	0.116	0.120	2.95	3.05	4
e	0.020 BSC		0.50 BSC		-
E	0.187	0.199	4.75	5.05	-
L	0.016	0.028	0.40	0.70	6
L1	0.037 REF		0.95 REF		-
N	10		10		7
R	0.003	-	0.07	-	-
R1	0.003	-	0.07	-	-
θ	5°	15°	5°	15°	-
α	0°	6°	0°	6°	-

Rev. 0 12/02

NOTES:

- These package dimensions are within allowable dimensions of JEDEC MO-187BA.
- Dimensioning and tolerancing per ANSI Y14.5M-1994.
- Dimension "D" does not include mold flash, protrusions or gate burrs and are measured at Datum Plane. Mold flash, protrusion and gate burrs shall not exceed 0.15mm (0.006 inch) per side.
- Dimension "E1" does not include interlead flash or protrusions and are measured at Datum Plane. [-H-] Interlead flash and protrusions shall not exceed 0.15mm (0.006 inch) per side.
- Formed leads shall be planar with respect to one another within 0.10mm (.004) at seating Plane.
- "L" is the length of terminal for soldering to a substrate.
- "N" is the number of terminal positions.
- Terminal numbers are shown for reference only.
- Dimension "b" does not include dambar protrusion. Allowable dambar protrusion shall be 0.08mm (0.003 inch) total in excess of "b" dimension at maximum material condition. Minimum space between protrusion and adjacent lead is 0.07mm (0.0027 inch).
- Datums [-A-] and [-B-] to be determined at Datum plane [-H-].
- Controlling dimension: MILLIMETER. Converted inch dimensions are for reference only

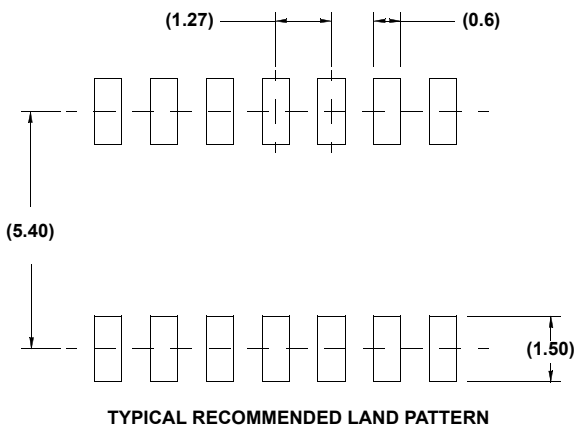
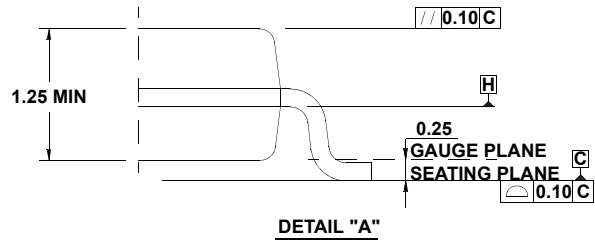
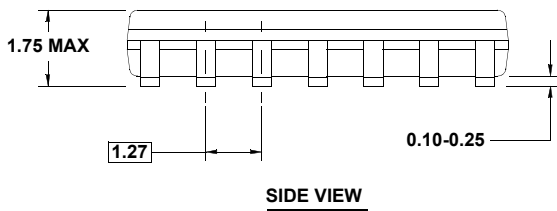
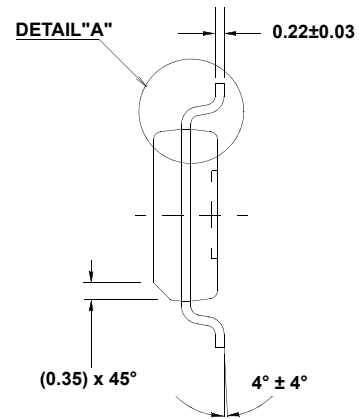
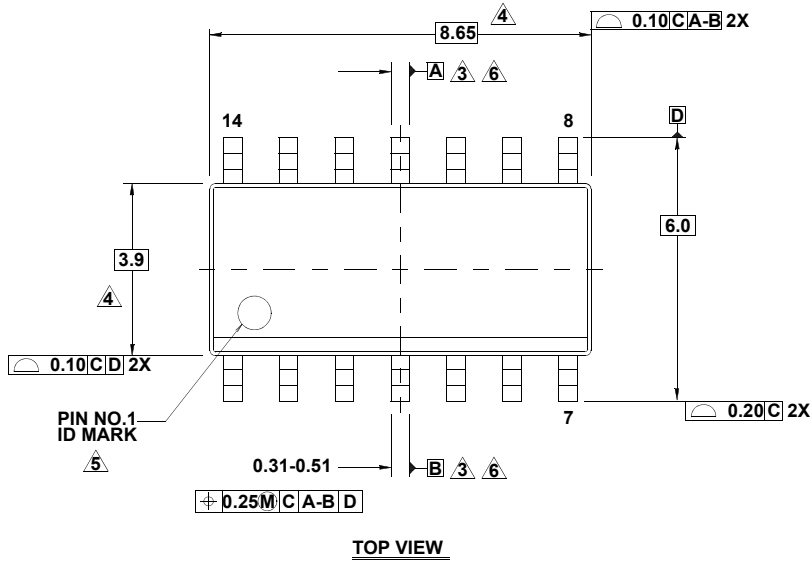
ISL32450E, ISL32452E, ISL32453E, ISL32455E, ISL32457E

Package Outline Drawing

M14.15

14 LEAD NARROW BODY SMALL OUTLINE PLASTIC PACKAGE

Rev 1, 10/09



NOTES:

1. Dimensions are in millimeters.
Dimensions in () for Reference Only.
2. Dimensioning and tolerancing conform to AMSEY14.5m-1994.
3. Datums A and B to be determined at Datum H.
4. Dimension does not include interlead flash or protrusions.
Interlead flash or protrusions shall not exceed 0.25mm per side.
5. The pin #1 identifier may be either a mold or mark feature.
6. Does not include dambar protrusion. Allowable dambar protrusion shall be 0.10mm total in excess of lead width at maximum condition.
7. Reference to JEDEC MS-012-AB.