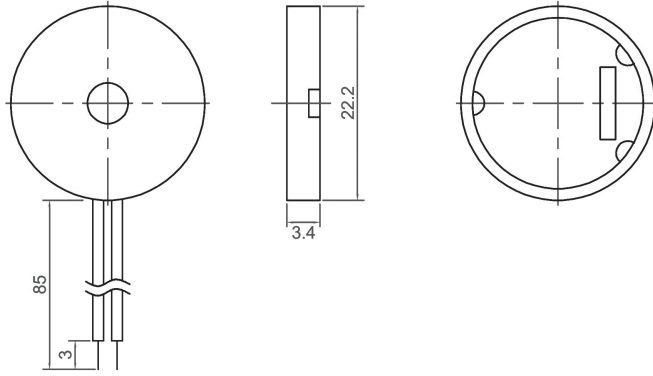


# Piezo Receiver

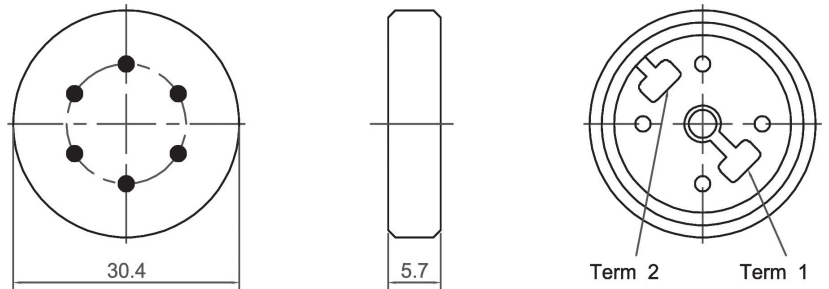


**CPR2203**

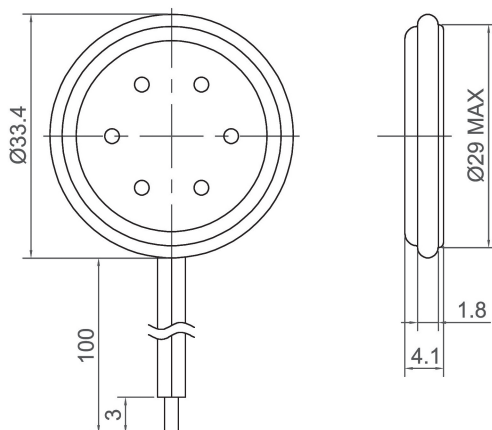
Canopus Part no.	Capacitance (pF)	Frequency Range (Hz)	Housing	Terminal	Weight (g)
CPR2203A106BW	90000 ±30%	300 - 3400	ABS	Leadwire	1.3



**CPR3006**



Canopus Part no.	Capacitance (pF)	Frequency Range (Hz)	Housing	Terminal	Weight (g)
CPR3006A110A	70000 ±30%	300 - 3400	Aluminum	NIL	5



**CPR3304**

Canopus Part no.	Capacitance (pF)	Frequency Range (Hz)	Housing	Terminal	Weight (g)
CPR3304A107AW	65000 ±30%	300 - 3400	Aluminum	Leadwire	5.5

**CANOPUS**

**Your Efficient Supplier**  
[www.canopus.com.hk](http://www.canopus.com.hk)

TEL.: (852) 2806 2812

Fax: (852) 2652 2216