

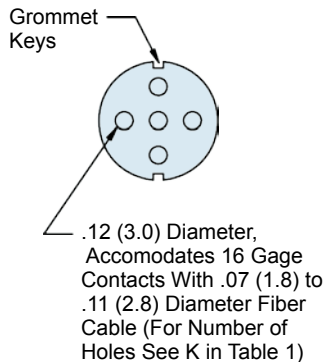
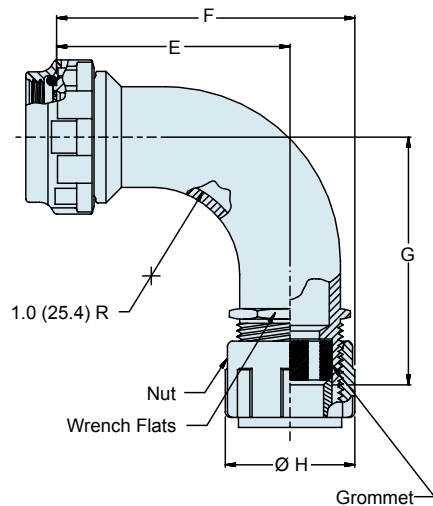
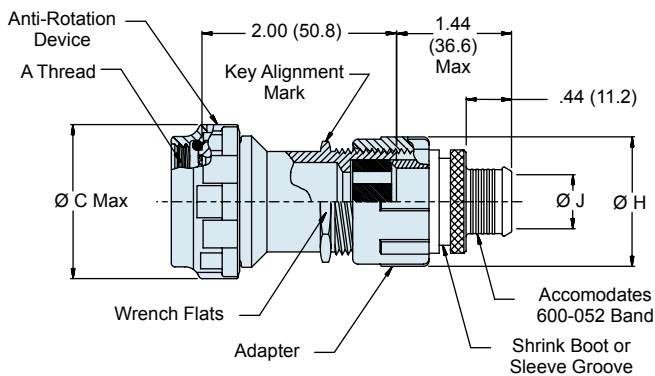
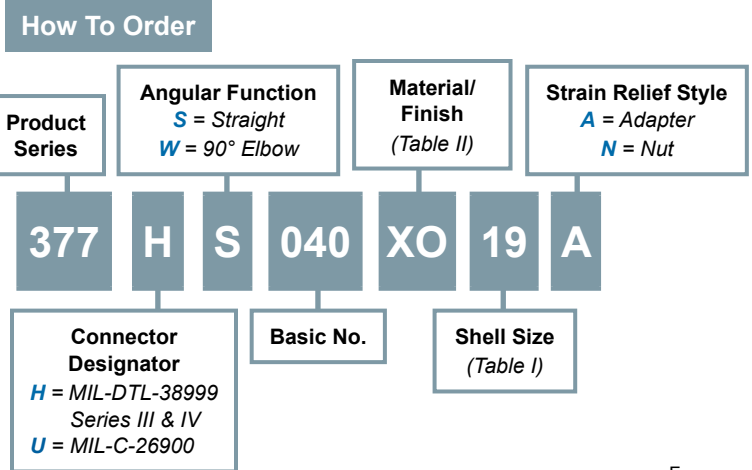


377-040
Composite Strain-Relief Backshell
for Fiber Optic MIL-DTL-38999 Series III Connectors

D38999
Series III

B

Composite MIL-DTL-38999 series III strain-relief backshell



Material and Finish

Adapters, Elbow: Hi-grade engineering thermoplastic/see table II
Coupling Nut & Gland Nut: Thermoplastic/unplated
Grommet, O-Ring: Silicone
Anti-Rotation Device: Corrosion resistant material

Notes

Glenair 600 Series Backshell assembly tools are recommended for assembly and installation.

377-040
Composite Strain-Relief Backshell
for Fiber Optic MIL-DTL-38999 Series III Connectors



MIL-DTL-38999
Series III Type

B

Table I

Connector Designator H				Connector Designator U				E ±.06 (1.5)	F ±.09 (2.3)	G ±.06 (1.5)	Ø H Max	Ø J Ref
Shell Size	A Thread	Ø C	K (# of Holes) *	Shell Size	A Thread	Ø C	K (# Of Holes) *					
11	M15 X 1 - 6H	.98 (24.9)	2	-	-	-	-	1.70 (43.2)	2.39 (60.7)	1.90 (48.3)	1.41 (35.8)	.27 (6.9)
13	M18 X 1 - 6H	1.16 (29.4)	4	11	5/8-28 UN	1.16 (29.4)	2	1.78 (45.2)	2.47 (62.7)	1.96 (49.8)	1.41 (35.8)	.33 (8.4)
15	M22 X 1 - 6H	1.28 (32.5)	5	13	3/4-28 UNS	1.28 (32.5)	4	1.82 (46.2)	2.51 (63.8)	2.02 (51.3)	1.41 (35.8)	.39 (9.9)
17	M25 X 1 - 6H	1.41 (35.7)	8	15	7/8-28 UN	1.41 (35.7)	5	1.89 (48.0)	2.70 (68.6)	2.09 (53.1)	1.64 (41.7)	.51 (13.0)
19	M28 X 1 - 6H	1.52 (38.5)	11	17	1-28 UN	1.52 (38.5)	8	1.93 (49.0)	2.74 (69.6)	2.13 (54.1)	1.64 (41.7)	.64 (16.3)
21	M31 X 1 - 6H	1.64 (41.7)	16	19	1-1/8-28 UN	1.64 (41.7)	11	2.00 (50.8)	2.94 (74.7)	2.19 (55.6)	1.89 (48.0)	.77 (19.6)
23	M34 X 1 - 6H	1.77 (44.9)	21	21	1-1/4-28 UN	1.77 (44.9)	16	2.08 (52.8)	3.02 (76.7)	2.25 (57.2)	1.89 (48.0)	.84 (21.3)
25	M37 X 1 - 6H	1.89 (48.0)	29	23	1-3/8-28 UN	1.89 (48.0)	21	2.14 (54.4)	3.20 (81.3)	2.32 (58.9)	2.16 (54.9)	.84 (21.3)
-	-	-	-	25	1-1/2-28 UN	2.02 (51.2)	29	2.22 (56.4)	3.28 (83.3)	2.39 (60.7)	2.16 (54.9)	.89 (22.6)

*Use Glenair 687-142 seal plug in vacant holes

Table II: Material and Finish

Code	Material	Finish Description
XB	Composite	No Plating - Black Color
XO		No Plating - Amber Color
XM		Electroless Nickel
XW		Cadmium Olive Drab over Electroless Nickel

Refer to Appendix for material/finish details