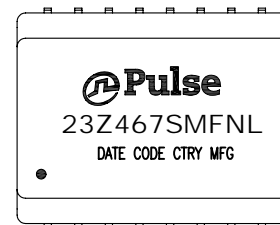


NOTES:

1. ROHS COMPLIANT
2. HEADER: PHENOLIC WITH FLAMMABILITY RATING UL 94V-0 OR BETTER.
3. STORAGE TEMPERATURE: -20°C TO +125°C
4. COMPLIANCE TO J-STD:
  - A. J-STD-002: SOLDERABILITY AT 245°C REFLOW PROFILE
  - B. J-STD-020: LEVEL 1, NO MOISTURE SENSITIVE
  - C. J-STD-075: R7, 245°C MAXIMUM THROUGH REFLOW SOLDER
5. TO ORDER TAPE & REEL PACKAGING ADD A "T" SUFFIX TO THE PART NUMBER(i.e 23Z467SMFNL BECOMES 23Z467SMFNLT).

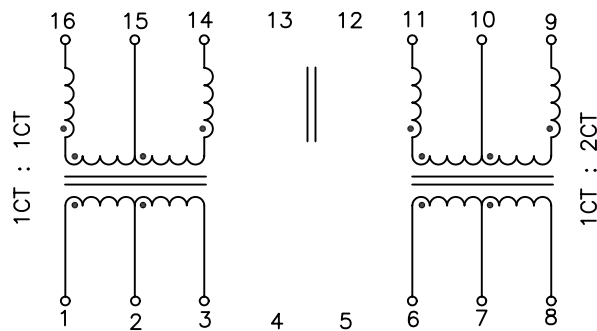


FINAL OUTLINE

© Copyright, 2014. Pulse Electronics Corp. All rights reserved. Pulse confidential & proprietary. (06/11/14)

| PRODUCT DESCRIPTION    | TLA DRAWING    | PS DRAWING    | SHEET  | PART NO.    | DATASHEET REV. |
|------------------------|----------------|---------------|--------|-------------|----------------|
| XFMR,SIN,10D,1:2,SM,TU | 23Z467SMFNL-11 | PS-2755.001-A | 1 OF 3 | 23Z467SMFNL | A              |

ELECTRICAL CHARACTERISTICS AT +25°C UNLESS OTHER SPECIFIED

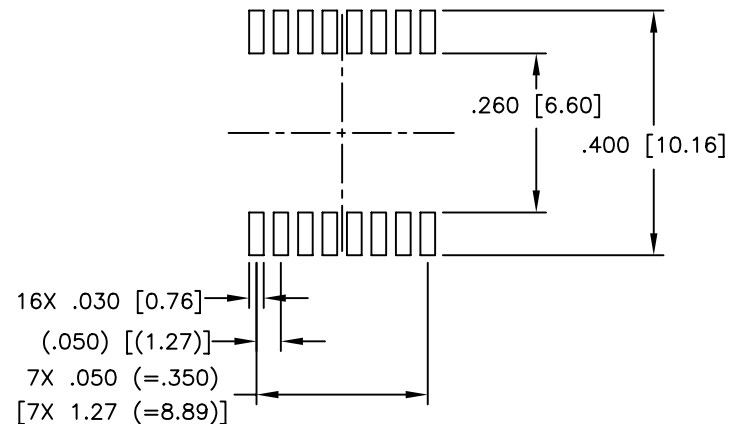
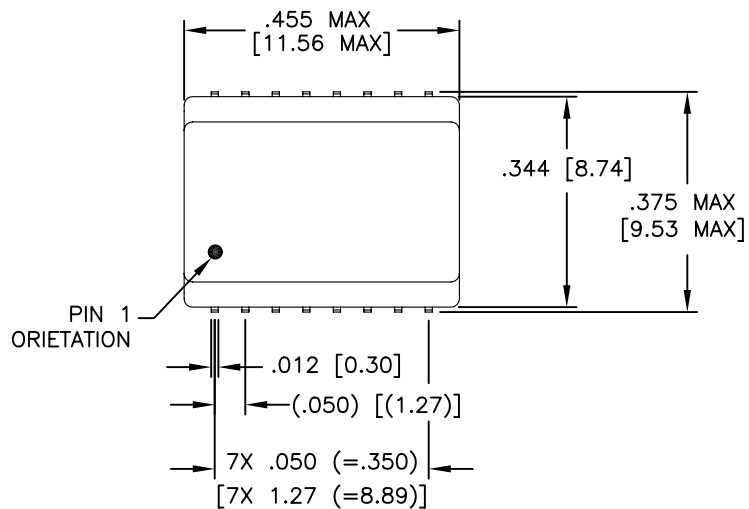


SCHMATIC

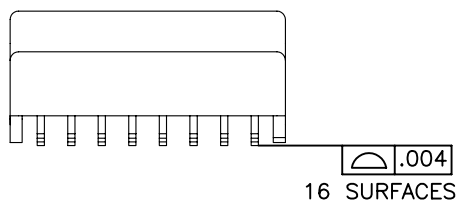
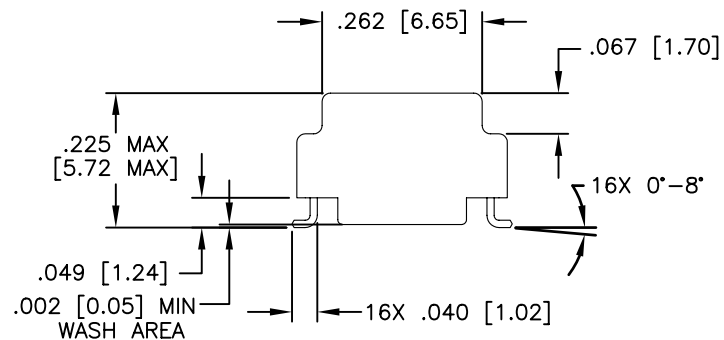
| PARAMETER                 | SPECIFICATIONS  |
|---------------------------|---|
| OPERATING TEMPERATURE     | 0°C – 70 °C   |
| POLARITY                  | PER SCHEMATIC   |
| URNS RATIO<br>(F=10 KHZ)  | (1-3) : (16-14) = 1CT : 1CT ±2%<br>(6-8) : (11-9) = 1CT : 2CT ±2%<br>(16-15) : (15-14) = 1:1±2% WITH PINS (1-3) SHORTED<br>(11-10) : (10-9) = 1:1± 2% WITH PINS (6-8) SHORTED |
| COUPLING CAPACITANCE      | (1-3)-(16-14) = 8.0 pF MAX.<br>(6-8)-(11- 9) = 12.0 pF MAX.<br>( V=20mV, F=100 KHz)   |
| LEAKAGE INDUCTANCE        | (1-3)-(16-14) = 0.3 uH MAX.<br>(6-8)-(11- 9) = 0.20 uH MAX.<br>( V=20mV, F=100 KHz)   |
| LP<br>( V=20mV, F=10 KHz) | (1-3) = 98 uH MIN.<br>(11- 9) = 70 uH MIN.<br>15 - (16- 14) = 42 uH MIN.  |
| DCR                       | (1-3), (16-14) = 0.6 OHM MAX.<br>(6-8), (11-9) = 0.6 OHM MAX.<br>(15-16), (15-14) = 0.3 OHM MAX.<br>(10-11), (10-9) = 0.3 OHM MAX.  |
| BETWEEN CHANNEL ISOLATION | 1500 VAC FOR 60 SECONDS   |

© Copyright, 2014. Pulse Electronics Corp. All rights reserved. Pulse confidential & proprietary. (06/11/14)

| PRODUCT DESCRIPTION    | TLA DRAWING    | PS DRAWING    | SHEET  | PART NO.    | DATASHEET REV. |
|------------------------|----------------|---------------|--------|-------------|----------------|
| XFMR,SIN,10D,1:2,SM,TU | 23Z467SMFNL-11 | PS-2755.001-A | 2 OF 3 | 23Z467SMFNL | A              |



SUGGESTED LAND PATTERN



DIMENSIONS ARE IN INCHES [MILLIMETERS] WITH THE FOLLOWING TOLERANCES: [MILLIMETERS] ARE FOR REFERENCE ONLY.  
 .XX= ±.01 [±0.25]  
 .XXX= ±.005 [±0.13]

© Copyright, 2014. Pulse Electronics Corp. All rights reserved. Pulse confidential & proprietary. (06/11/14)

| PRODUCT DESCRIPTION    | TLA DRAWING    | PS DRAWING    | SHEET  | PART NO.    | DATASHEET REV. |
|------------------------|----------------|---------------|--------|-------------|----------------|
| XFMR,SIN,10D,1:2,SM,TU | 23Z467SMFNL-11 | PS-2755.001-A | 3 OF 3 | 23Z467SMFNL | A              |