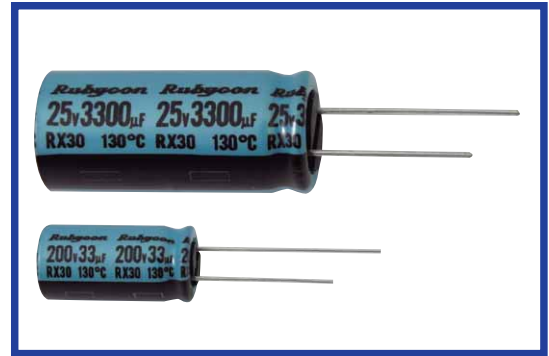


RX30 SERIES

Load Life : 130°C 1000~4000 hours

◆FEATURES

- For LED Lighting.
- For Automotive applications.
- RoHS compliance.



◆SPECIFICATIONS

Items	Characteristics																														
Category Temperature Range	-40~+130°C	-25~+130°C																													
Rated Voltage Range	10~100Vdc	200, 400Vdc																													
Capacitance Tolerance	±20% (20°C, 120Hz)																														
Leakage Current(MAX)	I=0.01CV or 3µA whichever is greater. (After 2 minutes application of rated voltage)	CV≤1000																													
		CV>1000																													
		I=0.1CV+40µA (1 minute) I=0.03CV+15µA (5 minutes)																													
		I=0.04CV+100µA (1 minute) I=0.02CV+25µA (5 minutes)																													
	I=Leakage Current(µA)	C=Capacitance(µF) V=Rated Voltage(Vdc)																													
(tanδ) Dissipation Factor(MAX)	Rated Voltage (Vdc)																														
	tanδ																														
Endurance	After applying rated voltage with rated ripple current for specified time at 130°C, the capacitors shall meet the following requirements.																														
	<table border="1"> <thead> <tr> <th></th> <th>10~100Vdc</th> <th>200, 400Vdc</th> </tr> </thead> <tbody> <tr> <td>Capacitance Change</td> <td>Within ±30% of the initial value.</td> <td>Within ±20% of the initial value.</td> </tr> <tr> <td>Dissipation Factor</td> <td>Not more than 300% of the specified value.</td> <td>Not more than 200% of the specified value.</td> </tr> <tr> <td>Leakage Current</td> <td colspan="2">Not more than the specified value.</td> </tr> </tbody> </table>			10~100Vdc	200, 400Vdc	Capacitance Change	Within ±30% of the initial value.	Within ±20% of the initial value.	Dissipation Factor	Not more than 300% of the specified value.	Not more than 200% of the specified value.	Leakage Current	Not more than the specified value.																		
		10~100Vdc	200, 400Vdc																												
	Capacitance Change	Within ±30% of the initial value.	Within ±20% of the initial value.																												
Dissipation Factor	Not more than 300% of the specified value.	Not more than 200% of the specified value.																													
Leakage Current	Not more than the specified value.																														
<table border="1"> <thead> <tr> <th rowspan="2">Case Size</th> <th colspan="2">Life Time (hrs)</th> </tr> <tr> <th>10~100Vdc</th> <th>200, 400Vdc</th> </tr> </thead> <tbody> <tr> <td>φD=6.3</td> <td>—</td> <td>1000</td> </tr> <tr> <td>φD=8, 10</td> <td>2000</td> <td>2000</td> </tr> <tr> <td>φD≥12.5</td> <td>4000</td> <td>—</td> </tr> </tbody> </table>		Case Size	Life Time (hrs)		10~100Vdc	200, 400Vdc	φD=6.3	—	1000	φD=8, 10	2000	2000	φD≥12.5	4000	—																
Case Size	Life Time (hrs)																														
	10~100Vdc	200, 400Vdc																													
φD=6.3	—	1000																													
φD=8, 10	2000	2000																													
φD≥12.5	4000	—																													
<table border="1"> <thead> <tr> <th>Rated Voltage (Vdc)</th> <th>10</th> <th>16</th> <th>25</th> <th>35</th> <th>50</th> <th>63</th> <th>100</th> <th>200</th> <th>400</th> </tr> </thead> <tbody> <tr> <td>Z(-25°C)/Z(20°C)</td> <td>3</td> <td>2</td> <td>2</td> <td>2</td> <td>2</td> <td>2</td> <td>2</td> <td>3</td> <td>6</td> </tr> <tr> <td>Z(-40°C)/Z(20°C)</td> <td>6</td> <td>4</td> <td>3</td> <td>3</td> <td>3</td> <td>3</td> <td>3</td> <td>—</td> <td>—</td> </tr> </tbody> </table>		Rated Voltage (Vdc)	10	16	25	35	50	63	100	200	400	Z(-25°C)/Z(20°C)	3	2	2	2	2	2	2	3	6	Z(-40°C)/Z(20°C)	6	4	3	3	3	3	3	—	—
Rated Voltage (Vdc)	10	16	25	35	50	63	100	200	400																						
Z(-25°C)/Z(20°C)	3	2	2	2	2	2	2	3	6																						
Z(-40°C)/Z(20°C)	6	4	3	3	3	3	3	—	—																						

◆MULTIPLIER FOR RIPPLE CURRENT

10~100Vdc

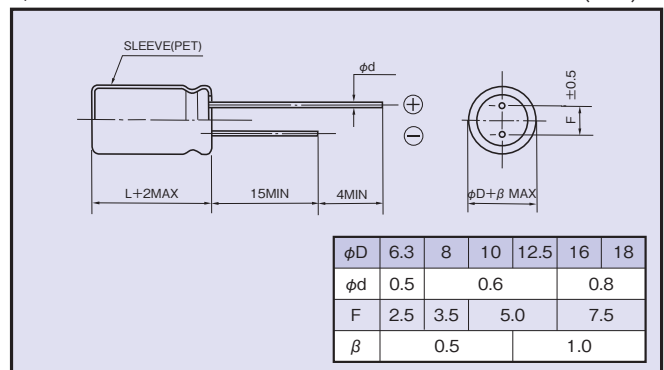
Frequency (Hz)	60(50)	120	1k	10k	100k≤
4.7µF	0.35	0.42	0.60	0.80	1.00
10~33µF	0.45	0.55	0.75	0.90	1.00
47~330µF	0.60	0.70	0.85	0.95	1.00
470~1500µF	0.65	0.75	0.90	0.98	1.00
2200~4700µF	0.75	0.80	0.95	1.00	1.00

200, 400Vdc

Frequency (Hz)	120	1k	10k	100k≤
1~5.6µF	0.20	0.40	0.80	1.00
6.8~15µF	0.30	0.60	0.90	1.00
22~33µF	0.50	0.80	0.90	1.00

◆DIMENSIONS

(mm)



◆PART NUMBER

□□□ RX30 □□□□□ M □□□ □□ D×L
 Rated Voltage Series Capacitance Capacitance Tolerance Option Lead Forming Case Size

◆OPTION

	Code
PET Sleeve	Blank

◆STANDARD SIZE

Rated Voltage (Vdc)	Capacitance (μF)	Size φD×L(mm)	Rated ripple current (mA r.m.s./130°C, 100kHz)	Impedance (Ω MAX)
				20°C, 100kHz
10	330	8×11.5	360	0.22
	470	10×12.5	620	0.15
	1000	10×20	960	0.073
	2200	12.5×25	1430	0.040
	3300	16×25	1900	0.038
	4700	16×31.5	2300	0.034
16	330	8×11.5	360	0.22
	470	10×12.5	620	0.15
	1000	10×20	960	0.073
	2200	12.5×25	1430	0.040
	3300	16×31.5	2300	0.034
	4700	16×35.5	2550	0.031
25	220	8×11.5	360	0.22
	330	10×12.5	620	0.15
	470	10×16	800	0.10
	1000	12.5×20	1100	0.055
	2200	16×31.5	2300	0.034
35	100	8×11.5	360	0.22
	220	10×12.5	620	0.15
	330	10×16	800	0.10
	470	10×20	960	0.073
	1000	12.5×25	1430	0.040
	2200	16×35.5	2550	0.031
	3300	18×35.5	2800	0.028
50	4.7	8×11.5	100	0.85
	10	8×11.5	200	0.60
	22	8×11.5	260	0.35
	33	8×11.5	300	0.28
	47	8×11.5	300	0.28
	100	10×12.5	520	0.18
	220	10×20	890	0.082
	330	12.5×20	1000	0.065
	470	12.5×25	1200	0.051
	1000	16×31.5	2180	0.037
63	33	8×11.5	250	0.40
	47	10×12.5	400	0.27
	100	10×16	450	0.20
	220	12.5×20	820	0.10
	330	12.5×25	1000	0.072
	470	16×25	1500	0.069
	1000	16×31.5	1850	0.056
	1500	18×40	2350	0.043
100	4.7	8×11.5	100	1.3
	10	8×11.5	200	1.0
	22	8×11.5	220	0.67
	33	10×12.5	260	0.45
	47	10×16	330	0.33
	100	12.5×20	670	0.17
	220	16×25	1100	0.13
	330	16×31.5	1300	0.10
470	18×31.5	1600	0.092	

Rated Voltage (Vdc)	Capacitance (μF)	Size φD×L(mm)	Rated ripple current (mA r.m.s./130°C, 100kHz)
8×11.5	120		
5.6	8×11.5	130	
	8×16	180	
6.8	8×11.5	130	
	8×16	180	
10	8×16	200	
	8×20	240	
15	8×16	200	
	8×20	240	
22	8×20	300	
	10×16	240	
33	10×20	320	
400	1	6.3×11	60
		8×11.5	65
	1.5	8×11.5	75
		8×16	80
	1.8	8×11.5	75
		8×16	85
	2.2	8×11.5	75
		8×16	90
	2.2	8×20	110
		8×16	95
	2.7	8×20	115
		8×16	100
	3.3	8×20	120
		8×16	125
4.7	8×20	120	
	10×16	125	
5.6	10×16	130	
	10×20	145	
6.8	10×20	150	