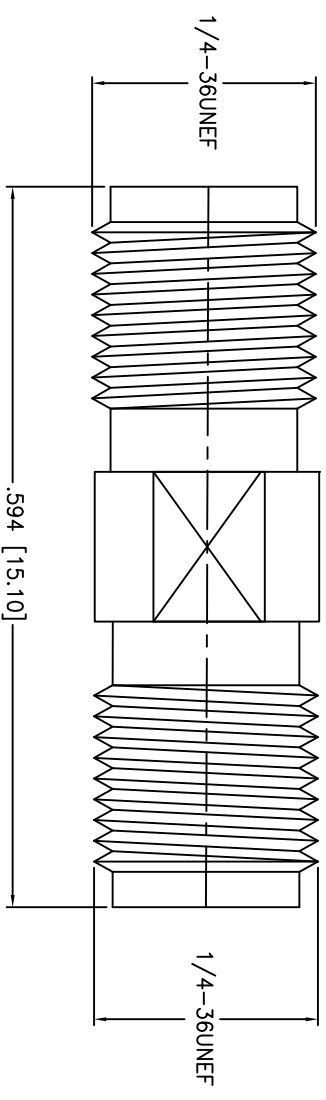


Rev	AWO #	Description	Date	Appr
-		RELEASED	5/21/10	

APPROVED: \_\_\_\_\_  
 DATE: \_\_\_\_\_ TITLE: \_\_\_\_\_



PIN	Be Cu	GOLD
INSULATOR	TEFLON	NONE
BODY	BRASS	GOLD
DESCRIPTION	MATERIAL	FINISH

**SPECIFICATIONS:**  
 Electrical:  
 Nominal Impedance: 50 ohms  
 Frequency range: 0-18 GHz  
 Working Voltage: 250 VRMS max.  
 Dielectric Withstanding Voltage: 750 VRMS min.  
 Contact Resistance: 6 Milliohms max. (Center Contact)  
 2 Milliohms max. (Outer Contact)  
 Insulator Resistance: 5000 Megohms min.  
 Environmental:  
 Lead free, RoHS compliant.



UNLESS OTHERWISE SPECIFIED  
 ALL DIMENSIONS ARE INCHES [MM]  
 TOLERANCES: EXCEPT AS NOTED  
 INCHES Holes  
 .X ± .10 Ø.X ± .10  
 .XX ± .020 Ø.XXX ± .015  
 .XXX ± .015 Ø.XXXX ± .010

**ADAM TECH**  
 909 Ratway Avenue, Union, NJ 07083  
 Phone: 908-687-5000 Fax: 908-687-5710

TITLE: SMA JACK TO SMA JACK

DRAWN	DY	DATE	5/21/10
CHECKED			
APPROVED			
SIZE	PART NO.	REV.	
X	RF2-500-10		
REF:	S00011T	SCALE:	NTS
		SHEET	1 OF 1

6 5 4 3 2 1