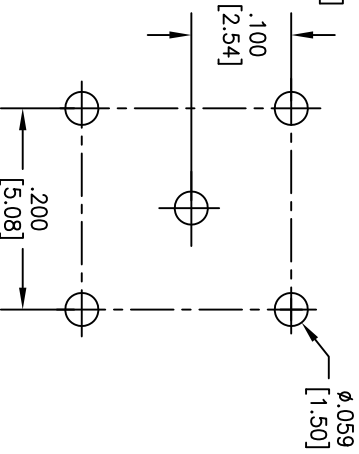
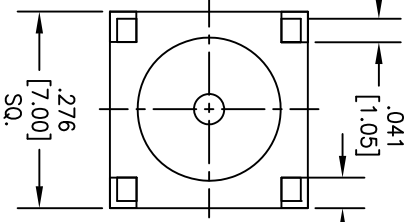
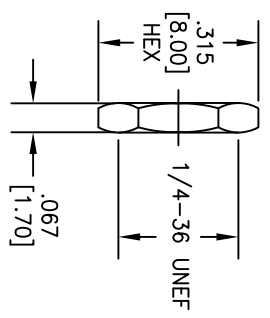
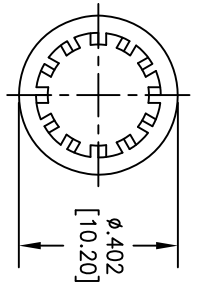
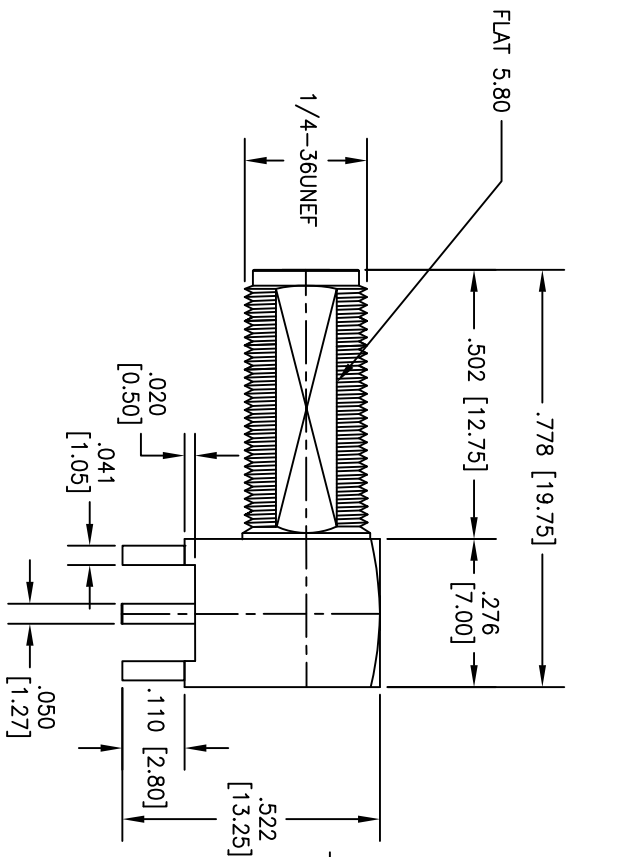


Rev	AWO #	Description	Date	Appr
-	9990	RELEASED	2/02/10	

APPROVED: _____
 DATE: _____ TITLE: _____



RECOMMENDED HOLE

DESCRIPTION	MATERIAL	FINISH
NUT	BRASS	GOLD
CHASDSIS	BRASS	GOLD
INSULATOR B	TEFLON	NONE
PIN	Be Cu	GOLD
INSULATOR A	TEFLON	NONE
WASHER	BRASS	GOLD
BODY	BRASS	GOLD
DESCRIPTION	MATERIAL	FINISH

SPECIFICATIONS:

Electrical:
 Nominal Impedance: 50 ohms
 Frequency range: 0-12.4 GHz
 Working Voltage: 250 VRMS max.
 Dielectric Withstanding Voltage: 750 VRMS min.
 Contact Resistance: 6 Milliohms max. (Center Contact)
 2 Milliohms max. (Outer Contact)
 Insulator Resistance: 5000 Megohms min.
 Environmental:
 Lead free, RoHS compliant.



ADAM TECH

909 Rahway Avenue, Union, NJ 07083
 Phone: 908-687-5000 Fax: 908-687-5710

SMA JACK BKD R/A FOR PCB

UNLESS OTHERWISE SPECIFIED ALL DIMENSIONS ARE INCHES [MM]	
TOLERANCES: EXCEPT AS NOTED	
.X INCHES	HOLES
.XX ± .10	∅:XX ± .10
.XXX ± .020	∅:XXX ± .015
.XXX ± .015	∅:XXX ± .010
APPROVALS	
DRAWN	DATE
CHECKED	
APPROVED	

SIZE	PART NO.	REV.
X	RF249-T-00-50-G-HDW	
REF:	S0001T	
SCALE:	NTS	
SHEET	1 OF 1	