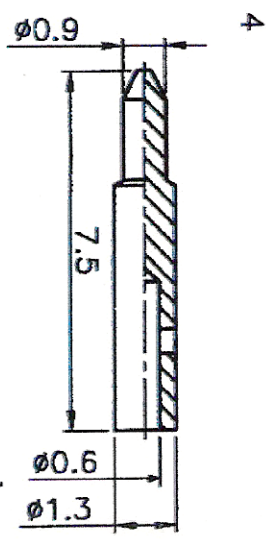
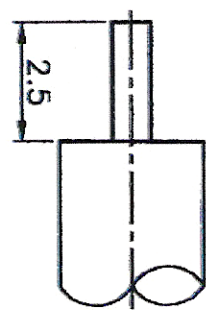
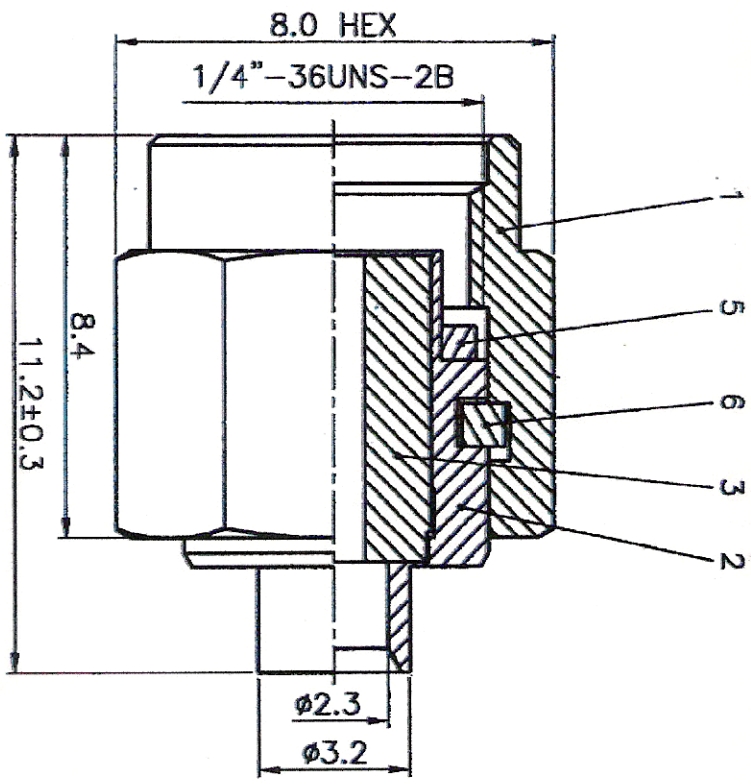


APPROVED: \_\_\_\_\_  
 DATE: \_\_\_\_\_ TITLE: \_\_\_\_\_

Rev	AWO #	Description	Date	Appr
.		RELEASED	4/2/04	



NO	DESCRIPTION	MATERIAL	Q'TY	FINISH
6	C RING	SS	1	
5	GASKET	SILICONE	1	RED
4	PIN	BRASS	1	30u" GOLD
3	INSULATOR	TEFLON	1	WHITE
2	BODY	BRASS	1	5u" GOLD
1	SHELL	BRASS	1	5u" GOLD

UNLESS OTHERWISE SPECIFIED  
 ALL DIMENSIONS ARE MM [INCHES]  
 TOLERANCES: EXCEPT AS NOTED

INCHES: .10 .020 .015 .010  
 .XX ± .020 ØXX ± .015  
 .XXX ± .015 ØXXX ± .010

HOLES: ± .10

APPROVALS: \_\_\_\_\_ DATE: 4/2/04

DRAWN: SLS

CHECKED: \_\_\_\_\_

APPROVED: \_\_\_\_\_

**ADAM TECH**  
 909 Rahway Avenue, Union, NJ 07083  
 Phone: 908-687-5000 Fax: 908-687-5710

TITLE: SMA MALE, SEMI RIGID .085"

SIZE: X PART NO.: RF2-02-D-02-50  
 REF: SCALE: NTS SHEET 1 OF 1