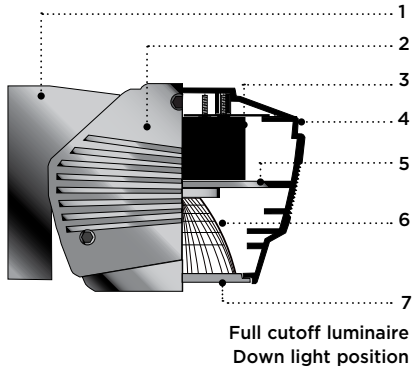


TYPE: _____ QUANTITY: _____ PROJECT: _____

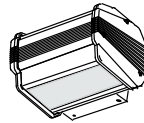
CATALOG NUMBER:

FIXTURE WATTAGE VOLTAGE FINISH OPTION OPTION OPTION OPTION

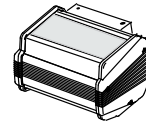


- 1- Cast aluminum mounting plate.
- 2- Removable sealed cast aluminum end cover, with embedded silicone one piece molded gasket.
- 3- Driver sliding tray for ease of access and maintenance.
- 4- One piece extruded aluminum housing.
- 5- LED heat dissipating plate.
- 6- LED optical light control.
- 7- Clear tempered sealed lens.

QT500



Down light position



Up light position

MATERIALS

Quanta is made of corrosion resistant 356 aluminum alloy with a copper (CU) content of less than 0.1% or 6063-T5 alloy for extruded parts. LED light engine is assembled with a carefully engineered heat dissipating chamber designed with a heat sink pattern to optimize luminaire efficacy. The integral driver is assembled with a sliding plate allowing a quick access. Quanta 500 series is standard with an R37 37° light beam reflector. A selection of high performance alternate reflectors with various light distributions are offered.

- R17** 17° light beam
- R37** 37° light beam
- R60** 60° light beam
- FWT** Forward throw

ELECTRICAL

LED

DRIVER Standard 0-10V dimming ready, 120/277V multi volt (50-60HZ) with operating temperatures of -30°C/-22°F to 60°C/140°F. Output over voltage. Output over current and output short circuit protection with auto-recovery.

LED Standard 4000°K LED platform included. Optional 3000°K & 3500°K. Removable modular LED platform.

LIFE

51,000hrs $L_{70}B_{50}$ (based on IESNA TM-21 Test Method and LM-80 data).
68,000hrs $L_{70}B_{50}$ (calculated projection from LM-80 data).

FINISH

Five-stage preparation process including preheating of cast aluminum parts for air extraction, and an environmentally friendly alloy sealant. Polyester powder coating is applied through an electrostatic process and oven cured for long term finish.

MOUNTING

Maximum weight: 6.9lbs (3.2kg)

Quanta is designed for ease of access and installation.

The luminaire is designed for wall mount as an up or down light.

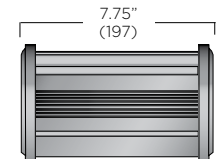
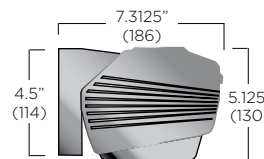
The mounting plate is designed to fit on a 4" (102) octagonal electrical box using 3 1/2" (89) C/C mounting holes.

CERTIFICATION

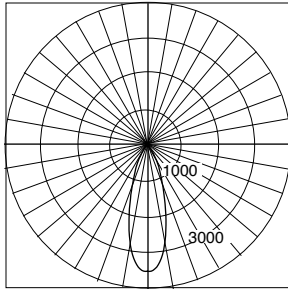
Tested to UL1598 and CSA 22.2 #250. ETL listed wet location.

Photometric testing performed by an independent laboratory in accordance with IES LM-79-08 standards at 25°C. Lumen depreciation in accordance with IESNA LM80 standards. CE certification on request.

Rated IP65.



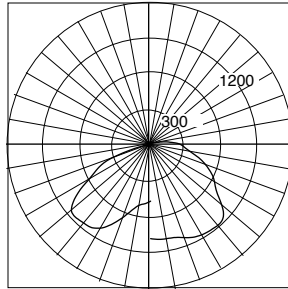
TYPICAL PHOTOMETRY SUMMARY



Descriptive Information
 Total Lms: 1754 Lumens
 Total Input Watts: 27 W
 Source: LED
 Total efficiency: 64%
 BUG Rating: B2-U0-GO
 CCT: 4000°K
 Light beam: 40° Beam angle

QT500-L1W30-R37

Outdoor report Polar graph



Descriptive Information
 Total Lms: 1789 Lumens
 Total Input Watts: 28W
 Source: LED
 Total efficiency: 63%
 BUG Rating: B1-U0-GO
 CCT: 4000°K
 Distribution: Type III

QT500-L1W30-FWT

Outdoor report Polar graph

Please visit our web site www.luminis.com for complete I.E.S formatted download data.

LUMINAIRE SELECTION

MODEL#	LED LIGHT SELECTION	LIGHT DISTRIBUTION	VOLTAGE ¹	FINISH																				
 <input type="checkbox"/> QT500-R37	<i>Down light or Up light</i> <table border="1"> <thead> <tr> <th>SUFFIX</th> <th>INPUT WATTS</th> <th>DELIVERED LUMENS</th> <th>CRI</th> <th>CCT °K</th> </tr> </thead> <tbody> <tr> <td><input type="checkbox"/> L1W12</td> <td>12W</td> <td>785</td> <td></td> <td></td> </tr> <tr> <td><input type="checkbox"/> L1W18</td> <td>19W</td> <td>1250</td> <td>80</td> <td>4000 °K</td> </tr> <tr> <td><input type="checkbox"/> L1W30</td> <td>27W</td> <td>1754</td> <td></td> <td></td> </tr> </tbody> </table>	SUFFIX	INPUT WATTS	DELIVERED LUMENS	CRI	CCT °K	<input type="checkbox"/> L1W12	12W	785			<input type="checkbox"/> L1W18	19W	1250	80	4000 °K	<input type="checkbox"/> L1W30	27W	1754			REFLECTOR SUFFIX <input type="checkbox"/> R17 17° beam <input type="checkbox"/> R37 37° beam (Standard) <input type="checkbox"/> R60 60° beam <input type="checkbox"/> FWT Forward throw	<input type="checkbox"/> 120V <input type="checkbox"/> 277V Optional <input type="checkbox"/> 347V	STANDARD COLORS <input type="checkbox"/> WHT Snow white <input type="checkbox"/> BKT Jet black <input type="checkbox"/> BZT Bronze <input type="checkbox"/> MST Matte silver <input type="checkbox"/> GRT Titanium gray <input type="checkbox"/> DGT Gun metal <input type="checkbox"/> CHT Champagne OPTIONAL COLORS <input type="checkbox"/> CS Custom color <input type="checkbox"/> RAL RAL# color (Refer to color chart)
	SUFFIX	INPUT WATTS	DELIVERED LUMENS	CRI	CCT °K																			
<input type="checkbox"/> L1W12	12W	785																						
<input type="checkbox"/> L1W18	19W	1250	80	4000 °K																				
<input type="checkbox"/> L1W30	27W	1754																						
<i>Forward throw Down light or Up light</i> <table border="1"> <thead> <tr> <th>SUFFIX</th> <th>INPUT WATTS</th> <th>DELIVERED LUMENS</th> <th>CRI</th> <th>CCT °K</th> </tr> </thead> <tbody> <tr> <td><input type="checkbox"/> L1W12</td> <td>12W</td> <td>765</td> <td></td> <td></td> </tr> <tr> <td><input type="checkbox"/> L1W18</td> <td>19W</td> <td>1205</td> <td>80</td> <td>4000 °K</td> </tr> <tr> <td><input type="checkbox"/> L1W30</td> <td>28W</td> <td>1789</td> <td></td> <td></td> </tr> </tbody> </table>	SUFFIX	INPUT WATTS	DELIVERED LUMENS	CRI	CCT °K	<input type="checkbox"/> L1W12	12W	765			<input type="checkbox"/> L1W18	19W	1205	80	4000 °K	<input type="checkbox"/> L1W30	28W	1789						
SUFFIX	INPUT WATTS	DELIVERED LUMENS	CRI	CCT °K																				
<input type="checkbox"/> L1W12	12W	765																						
<input type="checkbox"/> L1W18	19W	1205	80	4000 °K																				
<input type="checkbox"/> L1W30	28W	1789																						
 <input type="checkbox"/> QT500-FWT	Luminaire position may be reversed on site.																							

NOTE: All above wattage values are based on 277V, tested at 25° C ambient temperature.
 Wattage may vary by approx. +/- 10% for other voltages or changes in ambient temperature.
 Lumens output will remain constant.

OPTIONS

ELECTRICAL	MOUNTING
<input type="checkbox"/> FS Fuse <input type="checkbox"/> PH Photocell <input type="checkbox"/> 347L 347V Input power driver	<input type="checkbox"/> DF Inner frosted lens - 10% light loss <input type="checkbox"/> ADJS Adjustment mechanism and short arm extension <input type="checkbox"/> ADJL Adjustment mechanism and long arm extension
Alternate CCT °K LED <input type="checkbox"/> K3 3000°K CCT LED <input type="checkbox"/> K35 3500°K CCT LED	

OPTION DETAILS

ADJL:
 Adjustment mechanism with 0-60° rotation, including locking position with angular indicator. Sealed power cable. Length of arm may be factory cut to size. Max. O.A. extension 30"(762). Cast aluminum wall mounting plate.

ADJS:
 Adjustment mechanism with 0-45° rotation, including locking position with angular indicator. Sealed power cable. Cast aluminum wall mounting plate.

NOTES
 1- Luminaires are factory prewired for 120V (if no voltage is specified.)

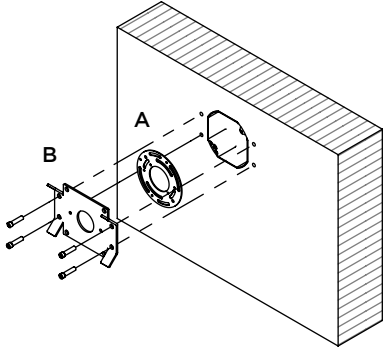


MOUNTING INSTRUCTIONS

INSTALLATION PROCEDURE:

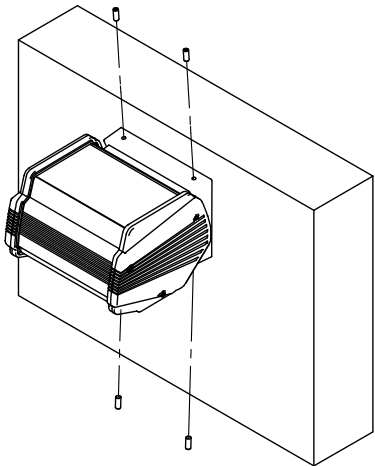
NOTE: Do not energize luminaire until installation is completed.

THIS PRODUCT MUST BE INSTALLED IN ACCORDANCE WITH APPLICABLE INSTALLATION CODES BY A PERSON FAMILIAR WITH THE CONSTRUCTION AND OPERATION OF THE PRODUCT AND HAZARDS INVOLVED.

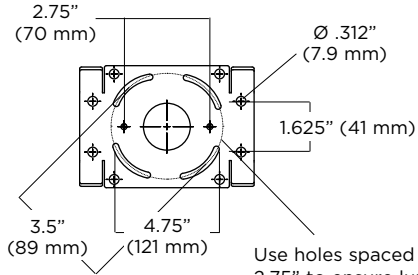


- 1) Install the round universal mounting plate (A) onto the 4" electrical junction box, using the 3-1/2" C/C mounting holes.
- 2) Install the luminaire adaptor plate (B) over the universal mounting plate (A) Important: Make sure that luminaire adaptor plate (B) is horizontally leveled. Rotate universal mounting plate (A) if necessary.

Some luminaires may exceed 25 lbs. and will require additional mounting hardware to secure mounting plate to the wall surface. (Mounting screws are not included)



While installing the luminaire over the adaptor plate (B) insert excess wiring into junction box. Secure luminaire in position using set screws. (C)



Use holes spaced at 2.75" to ensure luminaire horizontal position. Mounting instructions are applicable to the following models:

