



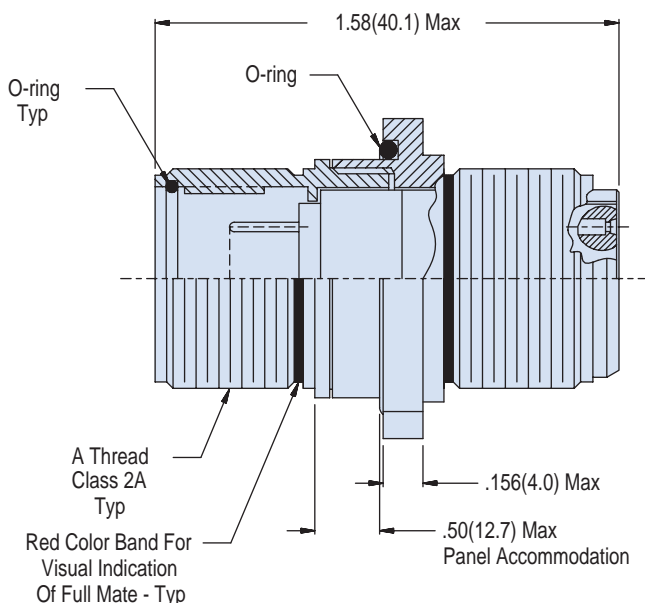
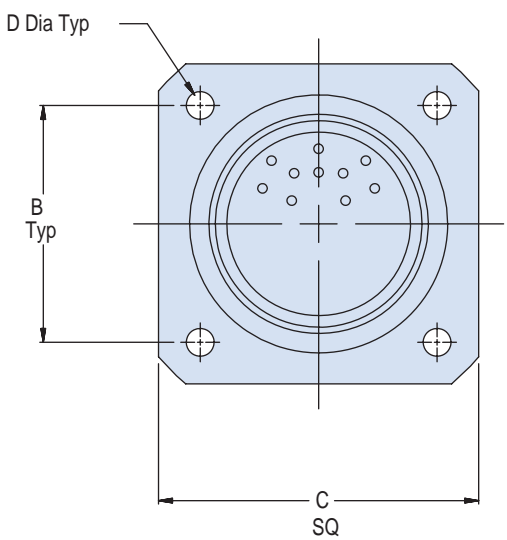
940-016 High-Pressure Environmental Square Flange Wall-Mount Gender Changer

How To Order						
Sample Part Number	940-016	M	24	-61	S	N
Series No.	940-016					
Finish Symbol	B, J, M, N, NF, T, Z1 See Table III					
Shell Size	10, 12, 14, 16, 18, 20, 22, 24 See Table II					
Insert Arrangement	See Table I					
Contact Style	P = Pins, Panel Side S = Sockets Panel Side PP = Pin to Pin Config. SS = Socket to Socket Config.					
Alternate Key Position	N, 1, 2, 3 or 4					

Notes

1. Assembly identified with manufacturer's name and P/N, space permitting.
2. Glenair 940-016 connector saver is designed to mate with Glenair 22 - series Geo-Marine® connectors.
3. Material/Finish:
 - Barrel, shell, coupling & jam nut - see Table II.
 - Contacts - copper alloy/gold plate.
 - Insulators - high grade rigid dielectric/n.a.
 - O-ring & seals - silicone/n.a.

MATES
WITH
SERIES
22



D

940-016 High-Pressure Environmental Square Flange Wall-Mount Gender Changer



Table I: Contact Arrangements

Shell Size	Insert Arrangement Dash No	Contact Size and Quantity			
		22	20	16	12
10	-2			2	
	-4		6	4	
	-6				
	-13	13			
12	-8		10	8	
	-10				
	-22	22			
14	-12		19	12	
	-19				
	-37	37			
16	-19		26	19	
	-26				
	-55	55			
18	-11			11	
	-22		32	22	
	-32				
20	-66	66			
	30		41	30	
	-41				
22	-79	79			
	-38			38	
	-50	48	55		2
	-55				
24	-85	85			
	-24			16	16
	-48		61	48	
	-61				
	-100	100			

Table II: Dimensions

Shell Size	A Thread	B Dim	C Dim	D	E
10	.750-.1P-.1L	.938(23.8)	1.188(30.2)	.125(3.2)	.890(22.6)
12	.875-.1P-.1L	1.062(27.0)	1.312(33.3)	.125(3.2)	1.015(25.8)
14	1.000-.1P-.1L	1.188(30.2)	1.438(36.5)	.125(3.2)	1.140(29.0)
16	1.125-.1P-.1L	1.250(31.8)	1.562(39.7)	.125(3.2)	1.265(32.1)
18	1.250-.1P-.1L	1.375(34.9)	1.750(44.5)	.125(3.2)	1.390(32.5)
20	1.375-.1P-.1L	1.500(38.1)	1.875(47.6)	.125(3.2)	1.515(38.5)
22	1.500-.1P-.1L	1.625(41.3)	2.000(50.8)	.125(3.2)	1.640(41.7)
24	1.625-.1P-.1L	1.750(44.5)	2.125(54.0)	.156(4.0)	1.765(44.8)

Table III: Material and Finish

SYM	Finish Description
B	Cadmium plate/olive drab
J	Gold iridite over cadmium plate over nickel
M	Electroless nickel
N	Cadmium plate/olive drab over nickel
NF	CAD/O. D. over electroless nickel (500 hour salt spray)
T	Cadmium plate/bright dip over nickel
Z1	Stainless steel, passivated

