



Series 970 PowerTrip™ Connectors and Accessories Accessories

660PS097 & 098 Protective Covers

METAL PROTECTIVE COVERS

Metal covers protect unmated Series 970 connectors. Available with no attachment (see table below for part numbers), or choose sash chain, wire rope or nylon cord attachments from the ordering table on the following page.



Plug Cover



Receptacle Cover

ATTACHMENT OPTIONS

<p>Sash Chain</p>	#8 sash chain, 300 series stainless steel, passivated. Glenair's most popular attachment option for circular connector covers.
<p>Teflon® Coated SST Wire Rope</p>	Tough, flexible translucent FEP teflon® jacket over stainless steel, +200°C., resists weather, chemicals and abrasion. Glenair's best selling wire rope. 1/16 inch diameter uncoated, .09 inch (2.3 mm) finished diameter.
<p>Black Nylon Cord</p>	Black braided nylon cord. Very flexible, very good abrasion resistance, good chemical resistance. .120" (3mm) diameter. +125°C.

MATERIALS AND FINISHES

Cover	Aluminum or Stainless Steel. See ordering information for finish options.
Gasket (Receptacle Cover)	Silicone
Rivet, Ring, Clevis	Stainless Steel

PROTECTIVE COVERS WITH NO ATTACHMENT (SEE NEXT PAGE FOR ATTACHMENT OPTIONS)

SHELL SIZE	THREAD SIZE	TYPE	ALUMINUM/ NICKEL	ALUMINUM/ NICKEL- PTFE	ALUMINUM/ OD CADMIUM	ALUMINUM/ BLACK ZINC-NICKEL	STAINLESS STEEL/ PASSIVATED
18	1.125-.1P-.3L-TS	Plug Cover	660PS097ME18N	660PS097MT18N	660PS097NF18N	660PS097ZR18N	660PS097Z118N
		Receptacle Cover	660PS098ME18N	660PS098MT18N	660PS098NF18N	660PS098ZR18N	660PS098Z118N
20	1.250-.1P-.3L-TS	Plug Cover	660PS097ME20N	660PS097MT20N	660PS097NF20N	660PS097ZR20N	660PS097Z120N
		Receptacle Cover	660PS098ME20N	660PS098MT20N	660PS098NF20N	660PS098ZR20N	660PS098Z120N
24	1.500-.1P-.3L-TS	Plug Cover	660PS097ME24N	660PS097MT24N	660PS097NF24N	660PS097ZR24N	660PS097Z124N
		Receptacle Cover	660PS098ME24N	660PS098MT24N	660PS098NF24N	660PS098ZR24N	660PS098Z124N
28	1.750-.1P-.3L-TS	Plug Cover	660PS097ME28N	660PS097MT28N	660PS097NF28N	660PS097ZR28N	660PS097Z128N
		Receptacle Cover	660PS098ME28N	660PS098MT28N	660PS098NF28N	660PS098ZR28N	660PS098Z128N
32	2.000-.1P-.3L-TS	Plug Cover	660PS097ME32N	660PS097MT32N	660PS097NF32N	660PS097ZR32N	660PS097Z132N
		Receptacle Cover	660PS098ME32N	660PS098MT32N	660PS098NF32N	660PS098ZR32N	660PS098Z132N
36	2.250-.1P-.3L-TS	Plug Cover	660PS097ME36N	660PS097MT36N	660PS097NF36N	660PS097ZR36N	660PS097Z136N
		Receptacle Cover	660PS098ME36N	660PS098MT36N	660PS098NF36N	660PS098ZR36N	660PS098Z136N
40	2.500-.1P-.3L-TS	Plug Cover	660PS097ME40N	660PS097MT40N	660PS097NF40N	660PS097ZR40N	660PS097Z140N
		Receptacle Cover	660PS098ME40N	660PS098MT40N	660PS098NF40N	660PS098ZR40N	660PS098Z140N

Series 970 PowerTrip™ Connectors and Accessories

Accessories






660PS097 & 098 Protective Covers



PROTECTIVE COVERS

Attach covers to panel or cable connector with sash chain or rope. Large ring fits under jam nut of panel mount receptacle or over accessory thread of cable connector (captivate with backshell or adapter). Ring terminal fits #4, #6 or #8 screws on backshell or square flange panel receptacle mounting screws. Split rings also available-see next page.

HOW TO ORDER

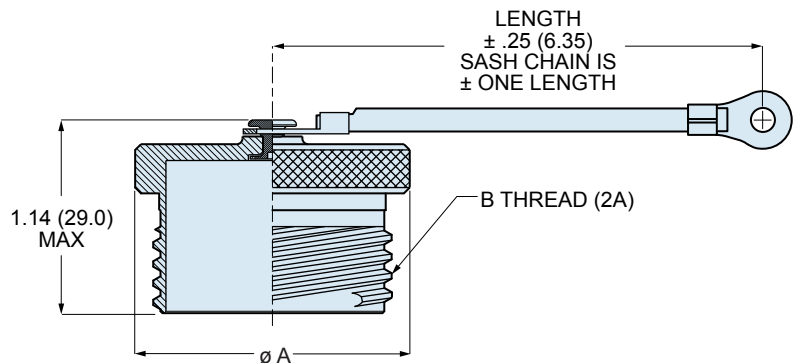
SERIES	SHELL MATERIAL / FINISH	SHELL SIZE	ATTACHMENT TYPE	ATTACHMENT LENGTH	FITTING TYPE AND DIAMETER (SEE NEXT PAGE FOR ADDITIONAL SIZES)																																		
660PS097 Plug Cover 	ME Aluminum / Electroless Nickel / RoHS Compliant	18	N No attachment	Length in Inches	Ring Terminal or Clevis for Attaching With #4, #6 or #8 Screw  																																		
		20																																					
		24																																					
		28																																					
		32																																					
	NF Aluminum / Cadmium with Olive Drab Chromate	S Sash Chain	36	H Teflon Coated SST Wire Rope	3 inches	Ring for Attaching Under Jam Nut Receptacle or Over Accessory Thread 																																	
			40																																				
			ZR Aluminum / Zinc-Nickel with Non-Reflective Black Chromate / RoHS Compliant		G Black Nylon Rope	5 inches	4 inches	4	<table border="1"> <thead> <tr> <th>Code</th> <th>Screw Size</th> <th>Ring I.D.</th> </tr> </thead> <tbody> <tr> <td>-06</td> <td>#4</td> <td>.125</td> </tr> <tr> <td>-09</td> <td>#6</td> <td>.156</td> </tr> <tr> <td>-03</td> <td>#8</td> <td>.191</td> </tr> </tbody> </table>				Code	Screw Size	Ring I.D.	-06	#4	.125	-09	#6	.156	-03	#8	.191															
								Code	Screw Size	Ring I.D.																													
								-06	#4	.125																													
-09	#6	.156																																					
-03	#8	.191																																					
MT Aluminum / Nickel-PTFE / RoHS Compliant	Other lengths are available, including fractional sizes. EXAMPLE: for a 7 1/2 inch length, use 7.5	5	5 inches	<table border="1"> <thead> <tr> <th>Code</th> <th>Shell Size</th> <th>Jam Nut Thd.</th> <th>Ring I.D.</th> </tr> </thead> <tbody> <tr> <td>-21</td> <td>18</td> <td>1.250</td> <td>1.265</td> </tr> <tr> <td>-23</td> <td>20</td> <td>1.4375</td> <td>1.453</td> </tr> <tr> <td>-27</td> <td>24</td> <td>1.625</td> <td>1.640</td> </tr> <tr> <td>-31</td> <td>28</td> <td>1.9375</td> <td>1.953</td> </tr> <tr> <td>-35</td> <td>32</td> <td>2.125</td> <td>2.140</td> </tr> <tr> <td>-40</td> <td>36</td> <td>2.375</td> <td>2.406</td> </tr> <tr> <td>-44</td> <td>40</td> <td>2.625</td> <td>2.656</td> </tr> </tbody> </table>				Code	Shell Size	Jam Nut Thd.	Ring I.D.	-21	18	1.250	1.265	-23	20	1.4375	1.453	-27	24	1.625	1.640	-31	28	1.9375	1.953	-35	32	2.125	2.140	-40	36	2.375	2.406	-44	40	2.625	2.656
		Code	Shell Size	Jam Nut Thd.	Ring I.D.																																		
-21	18	1.250	1.265																																				
-23	20	1.4375	1.453																																				
-27	24	1.625	1.640																																				
-31	28	1.9375	1.953																																				
-35	32	2.125	2.140																																				
-40	36	2.375	2.406																																				
-44	40	2.625	2.656																																				
660PS098 Receptacle Cover 	Z1 Stainless Steel / Passivated / RoHS Compliant	6	6 6 inches	<table border="1"> <thead> <tr> <th>Code</th> <th>Shell Size</th> <th>Access. Thd.</th> <th>Ring I.D.</th> </tr> </thead> <tbody> <tr> <td>-19</td> <td>18</td> <td>1.125</td> <td>1.140</td> </tr> <tr> <td>-21</td> <td>20</td> <td>1.250</td> <td>1.265</td> </tr> <tr> <td>-23</td> <td>24</td> <td>1.500</td> <td>1.453</td> </tr> <tr> <td>-30</td> <td>28</td> <td>1.750</td> <td>1.875</td> </tr> <tr> <td>-33</td> <td>32</td> <td>2.000</td> <td>2.077</td> </tr> <tr> <td>-40</td> <td>36</td> <td>2.250</td> <td>2.406</td> </tr> <tr> <td>-44</td> <td>40</td> <td>2.500</td> <td>2.656</td> </tr> </tbody> </table>				Code	Shell Size	Access. Thd.	Ring I.D.	-19	18	1.125	1.140	-21	20	1.250	1.265	-23	24	1.500	1.453	-30	28	1.750	1.875	-33	32	2.000	2.077	-40	36	2.250	2.406	-44	40	2.500	2.656
		Code		Shell Size	Access. Thd.	Ring I.D.																																	
		-19		18	1.125	1.140																																	
		-21		20	1.250	1.265																																	
		-23		24	1.500	1.453																																	
		-30		28	1.750	1.875																																	
		-33		32	2.000	2.077																																	
-40	36	2.250	2.406																																				
-44	40	2.500	2.656																																				
Sample Part Number																																							
660PS097	MT	24	S	4	-06																																		



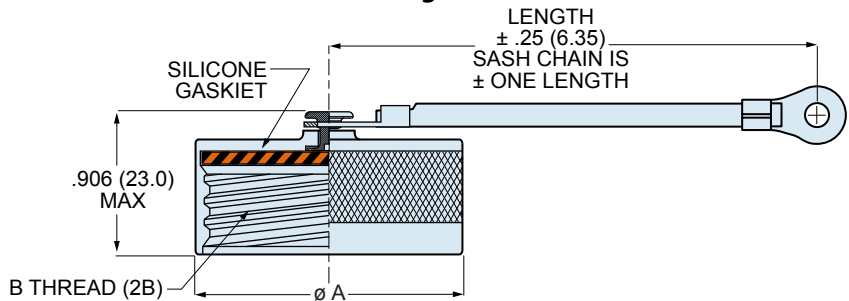
Series 970 PowerTrip™ Connectors and Accessories Accessories 660PS097 & 098 Protective Covers

660PS097 AND -098 PROTECTIVE COVERS

Shell Size	A Max.		B Thread
	In.	mm.	
18	1.417	36.0	1.125-.1P-.3L-TS
20	1.535	39.0	1.250-.1P-.3L-TS
24	1.772	45.0	1.500-.1P-.3L-TS
28	2.007	51.0	1.750-.1P-.3L-TS
32	2.244	57.0	2.000-.1P-.3L-TS
36	2.480	63.0	2.250-.1P-.3L-TS
40	2.716	69.0	2.500-.1P-.3L-TS



660PS097 Plug Cover



660PS098 Receptacle Cover

RING STYLES



Style A Solid Ring



Style B Solid Ring



Ring Terminal



Clevis (Sash Chain)



Split Ring

RING REFERENCE TABLE (IN ASCENDING DIAMETER ORDER)

Code	Ring Type	I.D.	Code	Ring Type	I.D.	Code	Ring Type	I.D.	Code	Ring Type	I.D.
		In. mm.			In. mm.			In. mm.			In. mm.
00	No Fitting	- -	13	Solid Ring Style B	.765 19.43	21	Solid Ring Style B	1.265 32.13	78	Split Ring	1.875 47.63
06	Ring terminal/Clevis	.125 3.18	105	Solid Ring Style A	.766 19.46	109	Solid Ring Style A	1.266 32.16	30	Solid Ring Style B	1.890 48.01
01	Ring terminal/Clevis	.145 3.68	205	Solid Ring Style A	.788 20.02	209	Solid Ring Style A	1.312 33.32	114	Solid Ring Style A	1.891 48.03
09	Ring terminal/Clevis	.156 3.96	14	Solid Ring Style B	.844 21.44	22	Solid Ring Style B	1.343 34.11	214	Solid Ring Style A	1.938 49.23
05	Ring terminal/Clevis	.167 4.24	15	Solid Ring Style B	.890 22.61	68	Split Ring	1.350 34.29	31	Solid Ring Style B	1.953 49.61
02	Ring terminal/Clevis	.182 4.62	58	Split Ring	.890 22.61	70	Split Ring	1.375 34.93	32	Solid Ring Style B	1.968 49.99
03	Ring terminal/Clevis	.191 4.85	106	Solid Ring Style A	.896 22.76	110	Solid Ring Style A	1.391 35.33	80	Split Ring	1.980 50.29
04	Ring terminal/Clevis	.197 5.00	206	Solid Ring Style A	.907 23.04	210	Solid Ring Style A	1.438 36.53	82	Split Ring	2.060 52.32
07	Ring terminal/Clevis	.218 5.54	16	Solid Ring Style B	.968 24.59	23	Solid Ring Style B	1.453 36.91	33	Solid Ring Style B	2.077 52.76
095	Solid Ring Style A	.312 7.92	17	Solid Ring Style B	1.015 25.78	24	Solid Ring Style B	1.484 37.69	115	Solid Ring Style A	2.078 52.78
100	Solid Ring Style A	.391 9.93	60	Split Ring	1.015 25.78	72	SPLIT RING	1.485 37.72	35	Solid Ring Style B	2.140 54.36
50	Split Ring	.425 10.80	107	Solid Ring Style A	1.016 25.81	111	Solid Ring Style A	1.521 38.63	36	Solid Ring Style B	2.187 55.55
08	Solid Ring Style B	.468 11.89	207	Solid Ring Style A	1.025 26.04	211	Solid Ring Style A	1.536 39.01	84	Split Ring	2.235 56.77
52	Split Ring	.485 12.32	18	Solid Ring Style B	1.093 27.76	25	Solid Ring Style B	1.577 40.06	86	Split Ring	2.310 58.67
101	Solid Ring Style A	.516 13.11	62	Split Ring	1.095 27.81	74	Split Ring	1.625 41.28	116	Solid Ring Style A	2.406 61.11
102	Solid Ring Style A	.583 14.81	64	Split Ring	1.130 28.70	27	Solid Ring Style B	1.640 41.66	40	Solid Ring Style B	2.406 61.11
10	Solid Ring Style B	.593 15.06	19	Solid Ring Style B	1.140 28.96	112	Solid Ring Style A	1.641 41.68	88	Split Ring	2.475 62.87
54	Split Ring	.640 16.26	108	Solid Ring Style A	1.141 28.98	28	Solid Ring Style B	1.687 42.85	117	Solid Ring Style A	2.510 63.75
103	Solid Ring Style A	.641 16.28	308	Solid Ring Style A	1.188 30.18	76	Split Ring	1.750 44.45	90	Split Ring	2.655 67.44
104	Solid Ring Style A	.708 17.98	208	Solid Ring Style A	1.203 30.56	29	Solid Ring Style B	1.765 44.83	44	Solid Ring Style B	2.656 67.46
12	Solid Ring Style B	.718 18.24	20	Solid Ring Style B	1.203 30.56	113	Solid Ring Style A	1.766 44.86	92	Split Ring	2.810 71.37
56	Split Ring	.750 19.05	66	Split Ring	1.250 31.75	213	Solid Ring Style A	1.812 46.02	48	Solid Ring Style B	3.031 76.99
									94	Split Ring	3.045 77.34