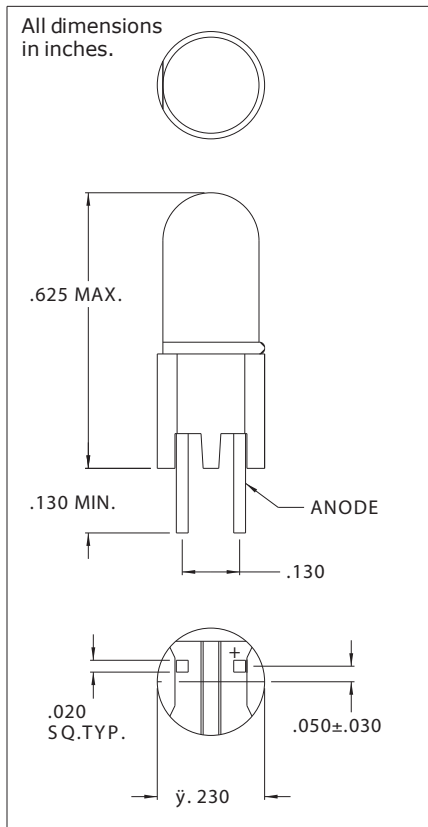


## 5340 Series T-1 3/4 Vertical LED Assembly Description and Features



### Features

- Block mounting design assures height and side-by-side spacing alignment saves assembly costs.
- Super Brite T-1 3/4 LED Lamp, diffused wide angle viewing.
- Standoffs prevent flux entrapment.

Housing: Black Nylon, UL94V-O

## Electro-Optical Characteristics and Ratings

Part Number	Emitted Color	Typical Intensity (mcd)	Rated Current (mA)	Continuous Forward Current Max. (mA)	Reverse Breakdown Voltage Min. (V)	Forward Voltage		Peak Wavelength (nm)
						Typ. (V)	Max. (V)	
5340H1	Red	6.3	10	60	5	2.0	3.0	650
5340H3	Amber	10	10	60	5	2.0	3.0	608
5340H5	Green	10	10	60	5	2.2	3.0	563
5340H7	Yellow	6.3	10	60	5	2.2	3.0	585
5340H1LC	Red	2.3	2	7	5	1.8	2.2	635
5340H5LC	Green	2.3	2	7	5	1.8	2.2	562
5340H7LC	Yellow	2.1	2	7	5	1.9	2.7	585
5340H1-5V	Red	8	10	15	5	5	7.5	635
5340H3-5V	Amber	8	10	15	5	5	7.5	583
5340H5-5V	Green	8	10	15	5	5	7.5	565