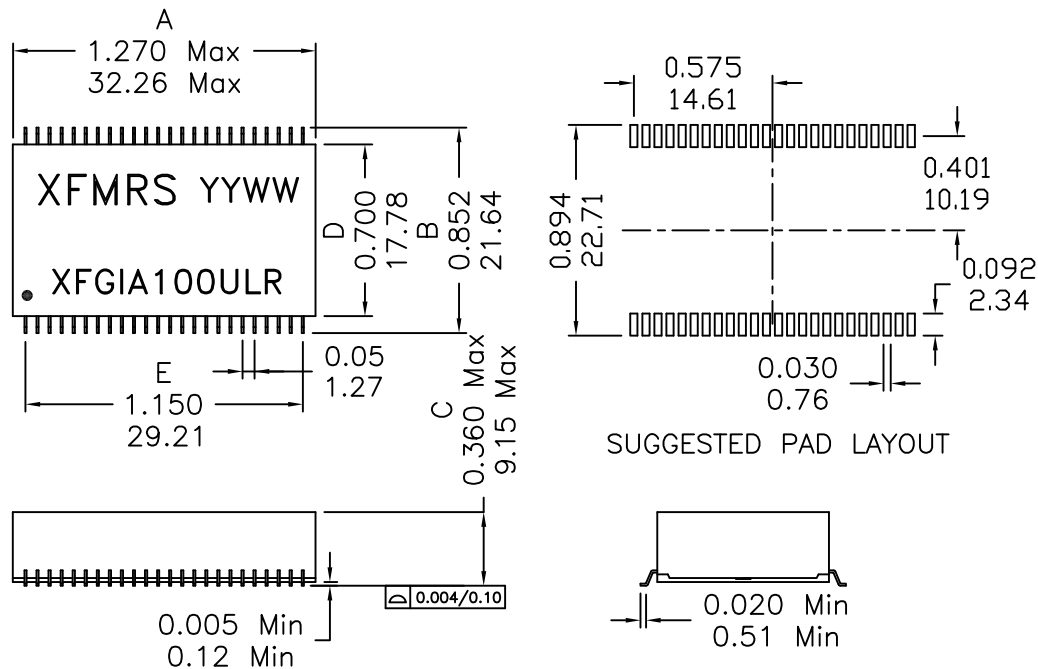
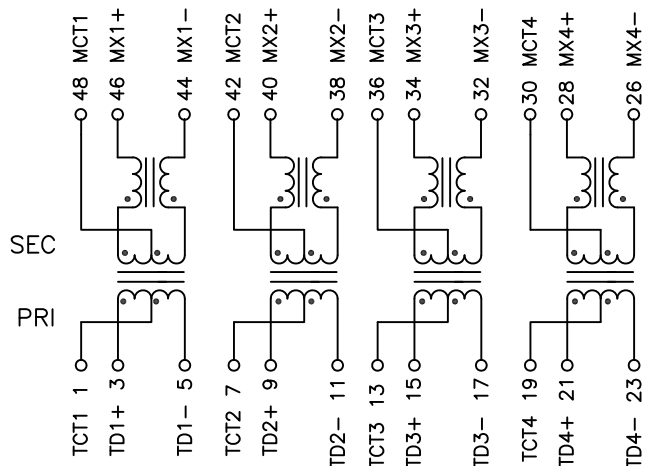


### 1. Mechanical Dimensions:



### 2. Schematic:



TCA3 Wire for all wdgs.

### 3. Electrical Specifications: @25°C

ISOLATION: 6000Vrms  
 TURNS RATIO: (PRI/SEC) 1CT:1CT ±2%  
 SEC OCL: 350uH Min @100KHz 100mV, 30mAdc  
 SEC OCL: 250uH Min @100KHz 100mV 30mAdc @ -40C  
 SEC Q: 18 Min @100KHz 100mV  
 Rise Time: 1.75ns Max.  
 INSERTION LOSS: -1.0dB MAX @1MHz-80MHz  
                   -1.1dB MAX @80-100MHz  
                   -1.5dB MAX @100-125MHz  
 RETURN LOSS: 18dB Min @1-10MHz  
                   15dB Min @30MHz  
                   12dB Min @80MHz  
                   10dB Min @100MHz  
 Common to Common Rejection:  
                   -60dB Min @1MHz  
                   -40dB Min @30MHz  
                   -35dB Min @80MHz  
                   -30dB Min @100MHz  
 CMRR: -30dB Min @1-60MHz  
 Crosstalk: -40dB Min @1-30MHz  
                   -30dB Min @100MHz  
 Sec CTs Rated current: 720mA  
 Sec CTs Rated voltage: 57Vdc (1000mA Max, 200mS)

Notes:

- Solderability: Leads shall meet MIL-STD-202G, Method 208H for solderability.
- Flammability: UL94V-0
- ASTM oxygen index: > 28%
- Insulation System: Class F 155°C. UL file E151556
- All listed parameters are to be within tolerance from -40°C to +85°C unless otherwise noted
- Storage Temperature Range: -55°C to +125°C
- Aqueous wash compatible
- SMD Lead Coplanarity: ±0.004"(0.102mm)
- Electrical and mechanical specifications 100% tested
- RoHS Compliant Component
- Designed to meet requirements for Reinforced Insulation

DOC. REV: C/4

<b>XFMRs Inc</b> www.XFMRs.com	Title: 1000BASE-T Modules		
	UNLESS OTHERWISE SPECIFIED TOLERANCES: .xxx ±0.010 Dimensions in INCH		P/N: XFGIA100ULR REV. C
SHT 1 OF 1	DWN.	Feng	Oct-16-12
	CHK.	YK Liao	Oct-16-12
	APP.	BSJ	Oct-16-12

**PROPRIETARY**

Document is the property of XFMRs Group & is not allowed to be duplicated without authorization.