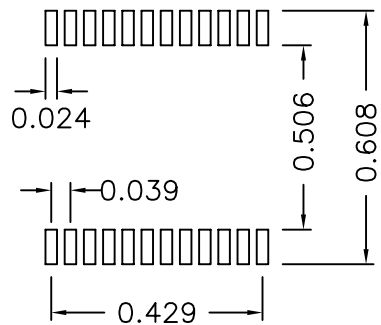
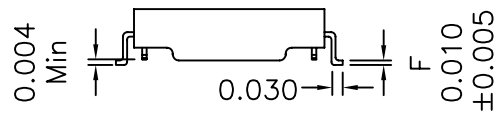
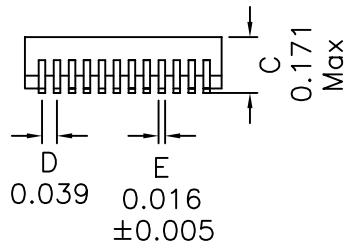
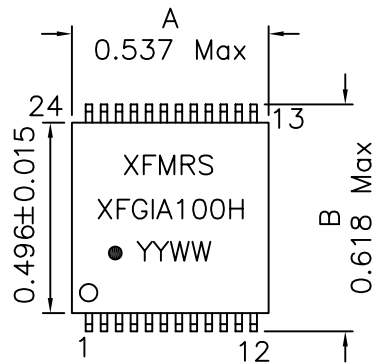
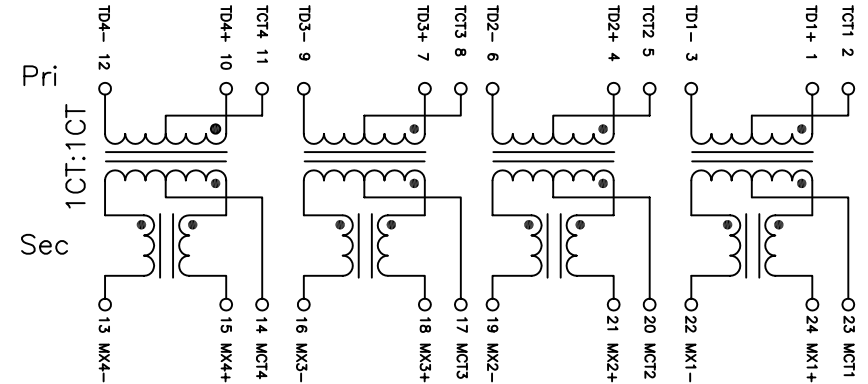


1. Mechanical Dimensions:



SUGGESTED PAD LAYOUT

2. Schematic:



3. Electrical Specifications:

Insertion Loss: -1.0dB Max 1MHz-100MHz

Return Loss: -18dB Min 1-30MHz

-15dB Min 40-50MHz

-12dB Min 60-80MHz

Cross Talk: -30dB Min 100KHz-100MHz

Pri OCL: 350uH Min @100KHz 0.1V 8mA

Turns Ratio: 1CT:1CT±3%

Hipot: 1500Vrms Pri to Sec

Notes:

- Solderability: Leads shall meet MIL-STD-202G, Method 208H for solderability.
- Flammability: UL94V-0
- ASTM oxygen index: > 28%
- Insulation System: Class F 155°C. UL file E151556
- Operating Temperature Range: All listed parameters are to be within tolerance from -40°C to +85°C
- Storage Temperature Range: -55°C to +125°C
- Aqueous wash compatible
- SMD Lead Coplanarity: ±0.004"(0.102mm)
- Electrical and mechanical specifications 100% tested
- RoHS Compliant Component

XFMRS Inc www.XFMRS.com	Title: 1000BASE-T Modules		
	UNLESS OTHERWISE SPECIFIED	P/N: XFGIA100H	REV A
TOLERANCES:	DWN.	Xianyi	Jun-21-10
.xxx ±0.010	CHK.	YK Liao	Jun-21-10
Dimensions in Inch	APP.	BW	Jun-21-10
SHT 1 OF 1			

DOC REV: A/1