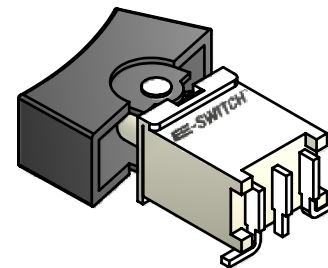
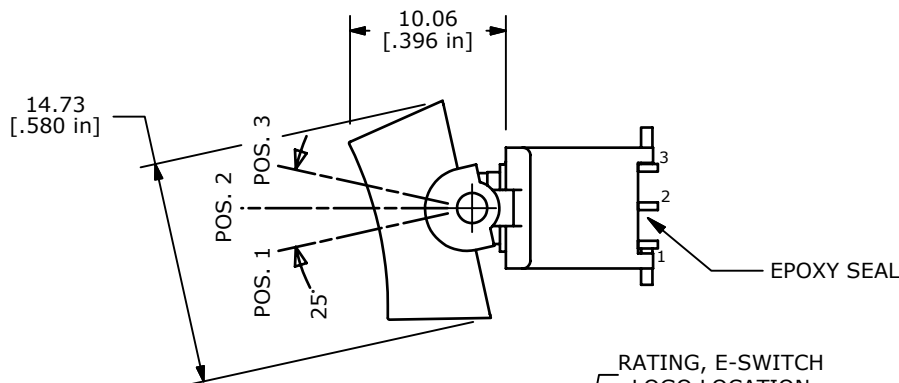
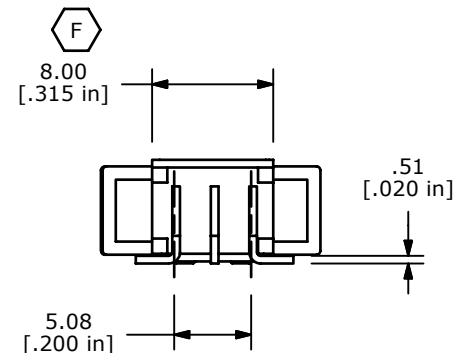
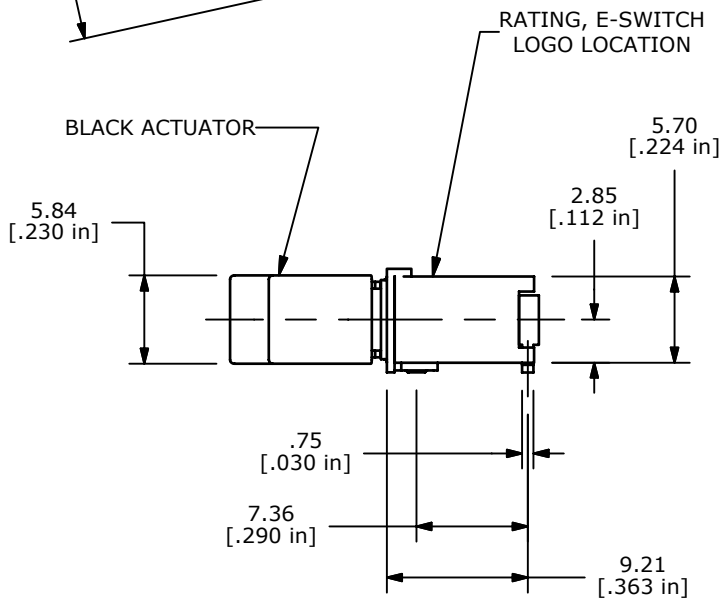
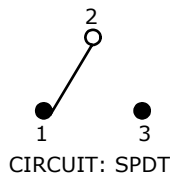


RECOMMENDED P.C.B. LAYOUT



SWITCH FUNCTION		
POS. 1	POS. 2	POS. 3
ON	OFF	ON
2-3	OPEN	2-1



NOTES:

1. ALL DIMENSIONS IN MM[INCH].
2. GENERAL TOLERANCE: X.X±0.4  
X.XX±0.25
3. TERM. NOS. FOR REFERENCE ONLY.
4. LIFE EXPECTANCY: 50,000 MAKE-AND-BREAK CYCLES  
Min. AT FULL LOAD.
5. CONTACT MATERIAL: GOLD
6. CONTACT RATING: 0.1VA @20V (AC or DC)
7. CONTACT RESISTANCE: 20MILLI-OHMS MAX. INITIAL @2-4 VDC
8. OPERATING TEMPERATURE: -30°C TO 85°C.
9. TERMINALS TO BE COPLANAR TO WITHIN 0.1[.004]
10. ▲ DENOTES CRITICAL PARAMETER
11. 2002/95/EC (ROHS) COMPATIBLE
- ▲12. PACKAGING: TAPE AND REEL, 450 PCS. PER REEL



B	18061	CHANGED BODY WIDTH (FROM 8.25)	4/17/08	BLR
A	18013	RELEASED FOR PRODUCTION	3/17/08	BLR
REV	PCR NO	DESCRIPTION	DATE	BY

TITLE 400BWMSP3R2BLKSM6RE				
SCALE 2:1	DATE 4/17/2008	DR BLR	DWG T460005	REV B

THE INFORMATION CONTAINED IN THIS DOCUMENT IS PROPRIETARY TO E-SWITCH AND IS NOT TO BE COPIED OR TRANSFERRED