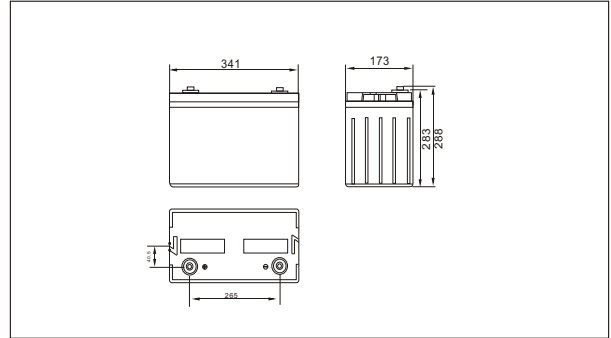




SW121340(12V134AH)



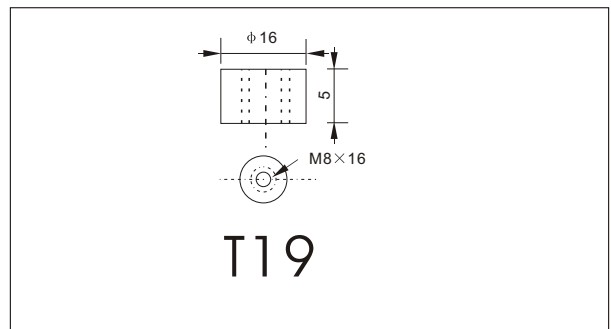
Outer dimensions (mm)



Specifications

Nominal Voltage		12V
Rated capacity (10hour rate)		134 Ah
Dimensions	Total Height	288 mm (11.33inches)
	Height	283 mm (11.14 inches)
	Length	341 mm (13.42 inches)
	Width	173 mm (6.81 inches)
Weight Approx		41.5 Kg (91.7lbs)

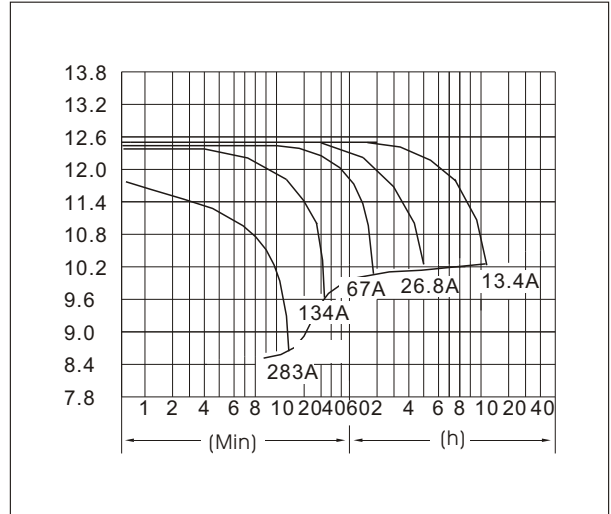
Terminal Type (mm)



Characteristics

Capacity 25°C(77°F)	10 hour rate(13.4 A) 5 hour rate(21.4 A) 1 hour rate(80.4 A)	134 AH 107AH 80.4 AH
Internal Resistance	Full charged Battery at 25°C(77°F)	4.0 mΩ
Capacity affected by Temperature (10hour rate)	40°C(104°F) 25°C(77°F) 0°C(32°F) -15°C(5°F)	102% 100% 85% 65%
Self-Discharge at 25°C(77°F)	Capacity after 3 month storage Capacity after 6 month storage Capacity after 12 month storage	91% 82% 64%
Terminal	T19	
Charge (constant Voltage)	Cycle	Initial Charging Current less than 53.4 A Voltage 14.10-14.40V
	Float	Voltage 13.50-13.80V

Discharge Curves 25°C(77°F)



Constant Current(Amp) and Constant Power(Watt) Discharge Table at 25°C(77°F)

Time		5min	10min	15min	30min	1h	2h	3h	4h	5h	8h	10h	20h
960V	A	429.2	282.7	227.9	152.8	80.4	46.9	34.4	26.8	22.11	15.68	14.07	7.60
	W	4429.4	3019.7	2443.9	1642.5	868.3	515.0	385.4	301.5	251.39	179.67	162.51	88.35
1020V	A	415.7	255.1	214.7	146.1	75.6	44.8	33.5	26.1	21.71	15.28	13.80	7.37
	W	4414.4	2848.8	2402.1	1639.7	854.8	512.6	383.9	300.7	250.47	178.73	161.48	86.58
1050V	A	402.1	228.2	187.7	136.7	73.2	43.7	32.7	25.7	21.44	15.14	13.53	7.32
	W	4391.3	2596.0	2142.4	1572.9	847.2	506.6	377.1	299.6	249.56	178.07	160.13	86.35
1080V	A	387.5	215.1	174.5	126.0	70.8	42.6	31.9	25.3	20.90	14.74	13.40	7.24
	W	4348.1	2480.2	2009.9	1459.4	823.6	499.1	376.0	299.0	247.09	174.67	159.27	86.18
11.10V	A	374.5	201.5	161.1	112.6	68.3	41.5	30.8	24.7	20.37	14.34	12.73	6.83
	W	4247.2	2333.8	1874.8	1317.0	803.7	491.0	366.1	293.7	243.07	171.71	153.68	82.83