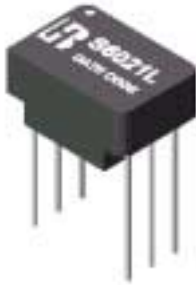


**P/N: S6021L DATA SHEET****Feature**

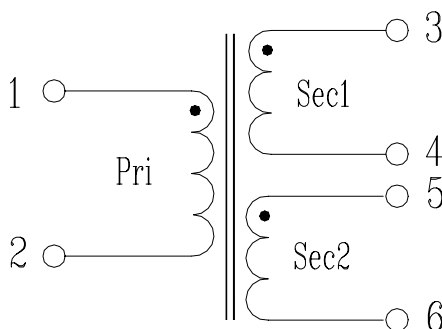
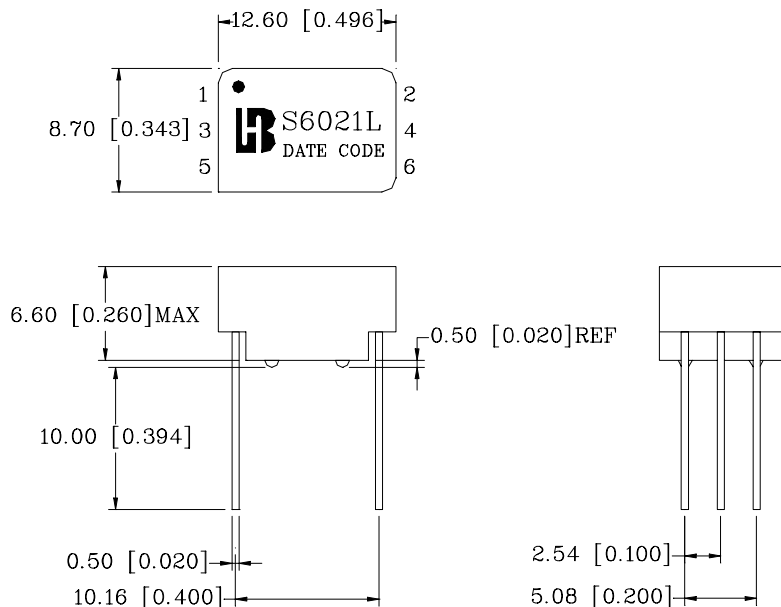
- This is a comprehensive range of general purpose pulse transformers.
- Common applications include line coupling, matching or isolating.
- Operating temperature range: 0°C to +70°C.
- Storage temperature range: -25°C to +125°C.

Electrical Specifications @ 25°C

Part Number	Turns Ratio (±2%)	OCL (uH Min)	HI-POT (Vrms)
	Pri:Sec1:Sec2		
S6021L	1:1:1	2060	500

Continue

Part Number	L.L (uH Max)	C _{WW} (pF Max)	Primary E _T Constant (Vus Min)	DCR (Ω Max)
S6021L	0.6	35	17.5	1.5

Schematic**Mechanical**

Units: mm [Inches] Tolerances: xx.x0±0.25 [0.010]
0.xx±0.05 [0.002]