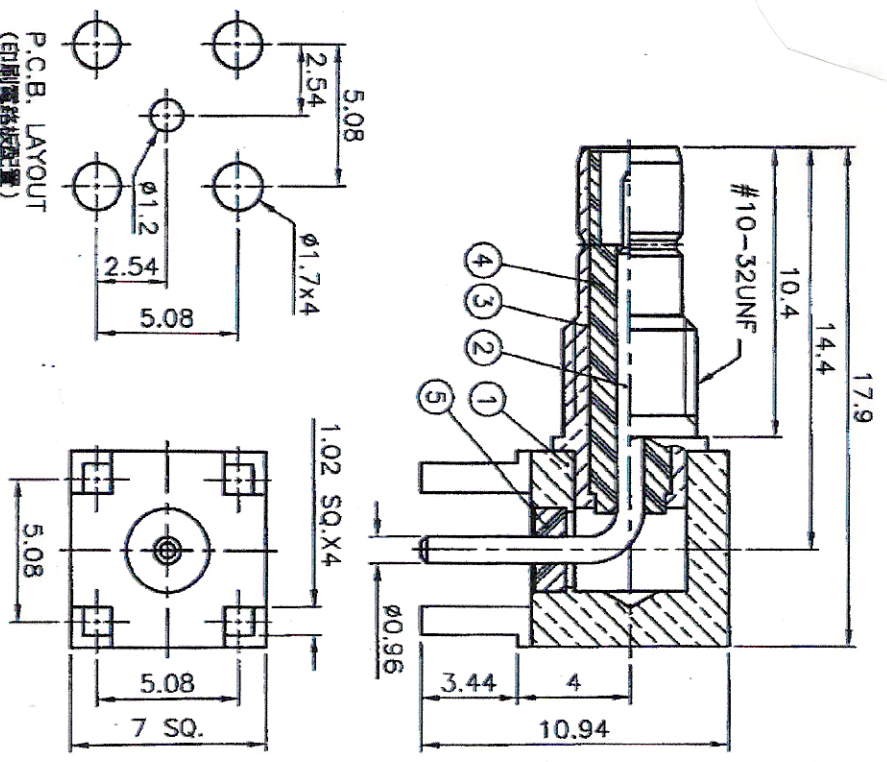
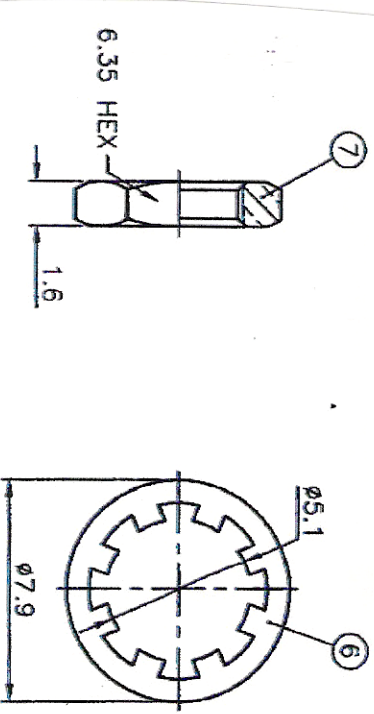


APPROVED: _____ TITLE: _____
 DATE: _____

Rev	AWC #	Description	Date	Appr
-		RELEASED	4/20/04	



NO	DESCRIPTION	MATERIAL	Q'TY	FINISH
7	NUT	BRASS	1	GOLD
6	WASHER	BRASS	1	GOLD
5	INSULATOR	TEFLON	1	WHITE
4	INSULATOR	TEFLON	1	WHITE
3	BODY	BRASS	1	GOLD
2	PIN	BRASS	1	GOLD
1	CUBE BODY	BRASS	1	GOLD

UNLESS OTHERWISE SPECIFIED
 ALL DIMENSIONS ARE MM [INCHES]
 TOLERANCES: EXCEPT AS NOTED
 INCHES HOLES

X ± .10 ØX ± .10
 .XX ± .020 ØXX ± .015
 .XXX ± .015 ØXXX ± .010

APPROVALS DATE

DRAWN SLS 4/2/04

CHECKED APPROVED

ADAM TECH
 909 Rohway Avenue, Union, NJ 07083
 Phone: 908-687-5000 Fax: 908-687-5710

TITLE: SMB RECEPTACLE PCB MOUNT

SIZE: X PART NO.: RF3-08-1-00-50
 SCALE: NTS SHEET 1 OF 1