

HOME PHONE NETWORKING BANDPASS FILTER

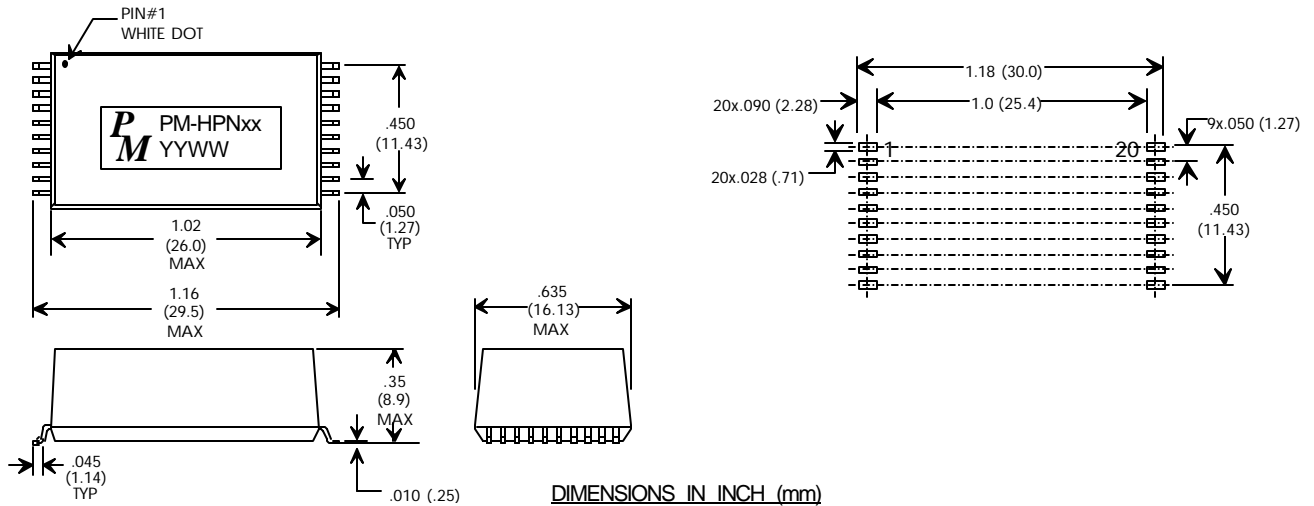
"INNOVATORS IN MAGNETICS TECHNOLOGY"

- ① Use with Broadcom's Chipset BCM4100 & 4210
- ② Isolation Voltage: 1500Vrms
- ③ Input Impedance: 50Ω - 1MΩ (1Hz to 30MHz)
- ④ PCB Package
- ⑤ Passband Frequency: 4.25MHz - 9.75 MHz

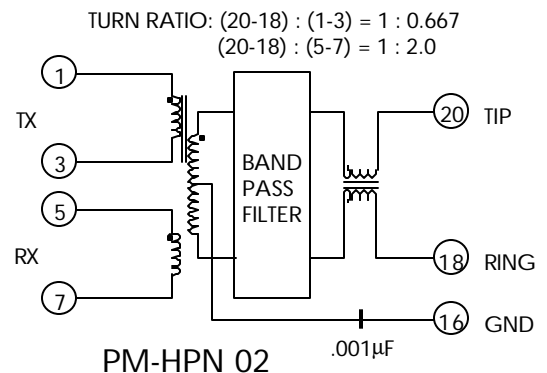
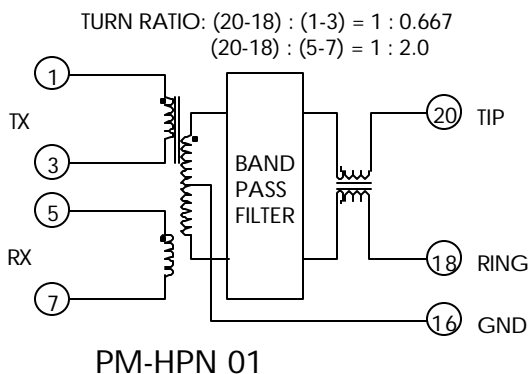
ELECTRICAL SPECIFICATIONS AT 25°C - OPERATING TEMPERATURE RANGE -25°C TO +80°C

PART NUMBER	TURN RATIO		INSERTION LOSS		R LOSS MINIMUM 6MHz - 9MHz	ATTENUATION MINIMUM			COMMON TO DMR 200KHz - 22MHz	Package/ Schematic
	1-3:20-18	5-7:20-18	MIN	MAX		1.1MHz	22MHz	54MHz		
PM-HPN01	1:0.667	1:2.0	-1.0dB	-2.2dB	-12dB	-60dB	-35dB	-60dB	-40dB	A/01
PM-HPN02	1:0.667	1:2.0	-1.0dB	-2.2dB	-12dB	-60dB	-35dB	-60dB	-40dB	A/02

PACKAGE "A" PCB LAYOUT



SCHEMATIC "01" SCHEMATIC "02"



DIMENSIONS IN INCH (mm)

Specifications subject to change without notice.

pm-hpnxx07/00