

**KF-100**

**HANDHELD KEYFOB ENCLOSURE**

PRELIMINARY

**DATA SHEET**

***Radios, Inc.***

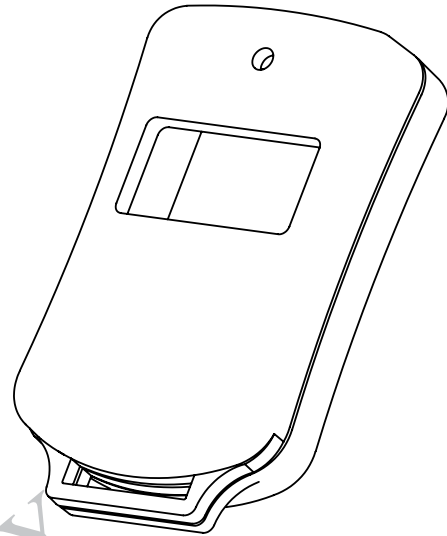
October 27, 2008 Preliminary Data Sheet

# KF-100

## HANDHELD KEYFOB ENCLOSURE

### Description:

The KF-100 is a one, two or three button handheld keyfob enclosure molded from high impact ABS in a variety of colors. It is designed for use with the KFB-100 series buttons. The enclosure can accommodate a 12 volt battery or a 20mm coin cell.



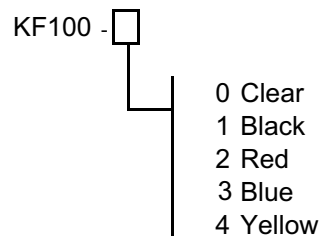
### Typical Enclosure Applications:

- Remote controls
- Garage openers / Gate controls
- Keyless entry
- Home / Industrial automation
- Remote access
- Domestic / Commercial security
- Automated resource management
- Fire / Security alarms
- Long-range RFID
- General wire elimination

### Design Recommendations:

- 1.75" x 1.24" x .062" PCB
- Top of LED should be .35" above PCB
- Keystone Battery clips: 230-1 for 12 volt, 3002 for coin cell
- Push Button: Mountain Switch #101-0134-EV

### Product Ordering:



### Contact Information

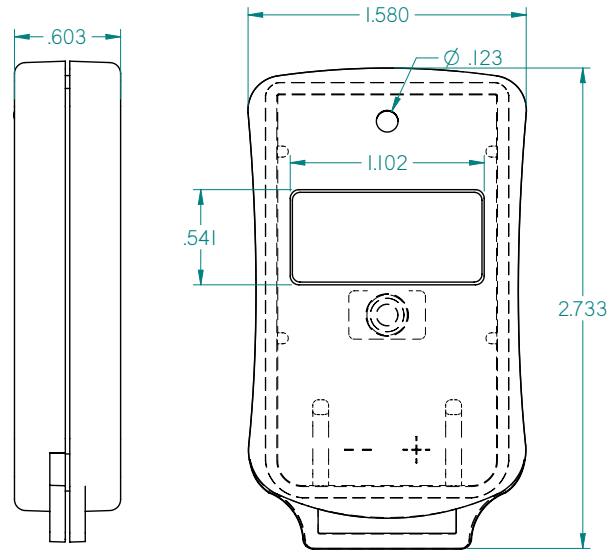
Radios, Inc.  
1408 Center Avenue  
Oostburg, WI 53070

Phone: 920-564-6622  
Fax: 920-564-6630  
Email: sales@radiosinc.com

# KF-100

## HANDHELD KEYFOB ENCLOSURE

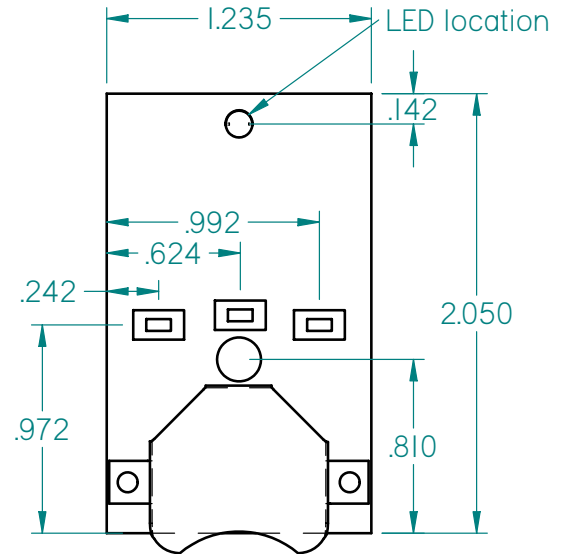
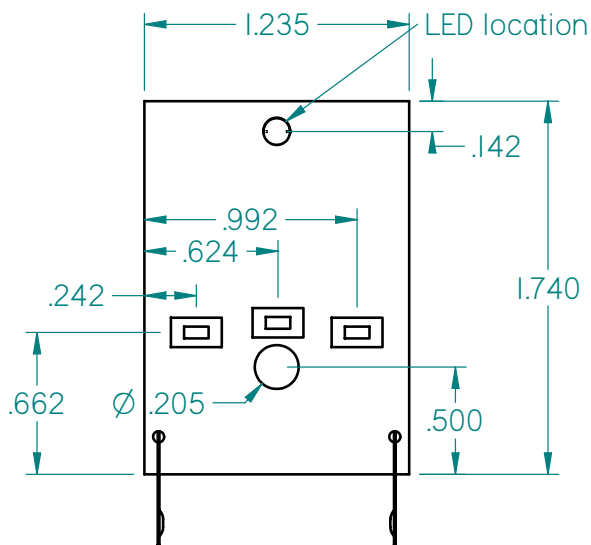
### KF-100 Dimensions



### Recommended PCB Layout

12 Volt Battery

20 mm Coin Cell battery



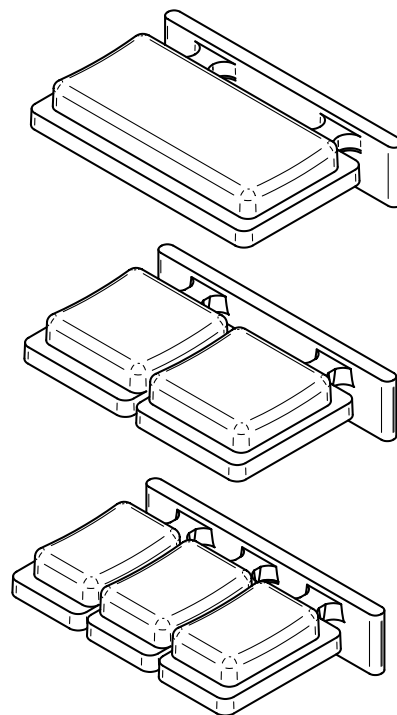
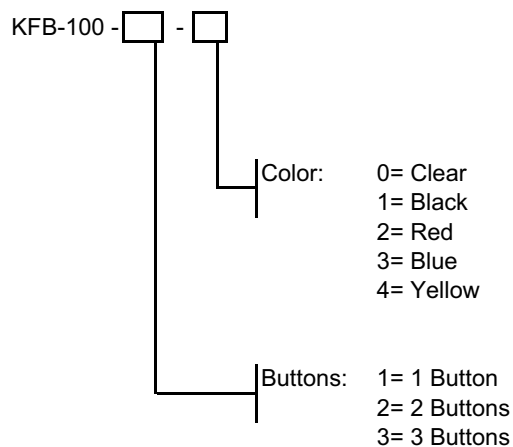
# KFB-100

## HANDHELD KEYFOB BUTTON

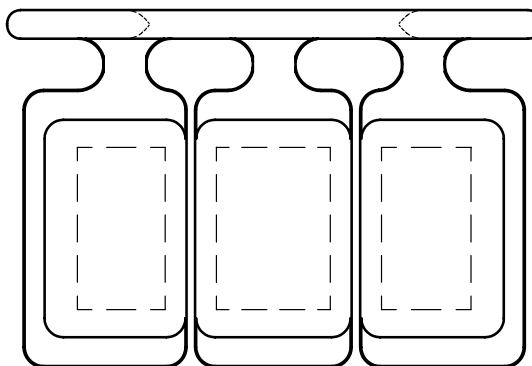
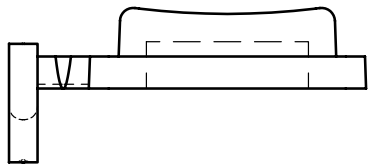
### Description:

The KFB-100 series buttons are molded from high impact ABS and are designed for use with the KF-100 series keyfob enclosures. The buttons are available in one, two, or three button versions in a variety of colors.

### Product Ordering:



### KFB-100



## **KF-100**

---

### **HANDHELD KEYFOB ENCLOSURE**

#### **Technical Support:**

Radios, Inc. is committed to providing its customers with excellent technical support and the resources necessary to assist them with their product development. All technical support is provided free of charge. Customers have several options to obtain assistance. First, any questions or concerns can be e-mailed to Radios, Inc. at [information@radiosinc.com](mailto:information@radiosinc.com). We monitor our e-mail daily, and will respond to all questions promptly. Additionally, to speak directly to a technical support representative, customers can call Radios, Inc. at 920-564-6622.

#### **Returns:**

Products may be returned directly to Radios, Inc. for evaluation. Returns, without exception, must have a valid RMA number attached. RMA numbers can be obtained by calling a customer service representative at Radios, Inc. If a product is found to be defective and is returned within 90 days of purchase, Radios, Inc. may repair or replace, at its option, said defective product. The warranty does not apply to any products which have been disassembled, modified or subjected to conditions exceeding the application specifications. Under no circumstances will Radios, Inc. be responsible for losses, financial or other, arising from the use or failure of a device in an application or for losses arising from failure to meet delivery requirements, other than the repair, replacement, or refund limited to the original product purchase price. No other warranties, express, implied, or statutory, including warranty of fitness for a particular purpose, apply.

#### **Product Warranty and Disclaimer Information:**

Radios, Inc. is dedicated to providing its customers with the best possible products, and is continually working on improving the quality and function of its entire product line. Therefore, Radios, Inc. reserves the right to make changes to the design, specifications, or manufacturing of its products without notice. The information contained in this data sheet is believed to be complete, accurate, and reliable as of the time of publication. Because product specifications are based on representative lot samples, however, values can vary from lot to lot and are not guaranteed. Radios, Inc. does not assume any liability or responsibility arising from the application or use of any product described herein, and makes no guarantee, warranty, or representation regarding the suitability or legality of any product for use in a specific application. Radios, Inc. does not assume any liability for any infringement of patents or other rights of third parties which may result from the use of its products. No product sold by Radios, Inc. is intended for use in a life critical application, or any application where the safety of property is at risk. The user assumes full and complete responsibility for any use of Radios, Inc.'s products in an application where the safety of life or property is at stake.

**KF-100**

---

## **HANDHELD KEYFOB ENCLOSURE**

Radios, Inc., its suppliers, and its licensors shall in no event be liable for any damages arising from the use of or inability to use this product. This includes business interruption, loss of business information, or other losses that may arise from the use of this product. Some devices described in this publication are patented. Under no circumstances shall any user be conveyed any license or right to the use or ownership of these patents.

### **Copyright:**

Radios Inc. reserves the right to all proprietary or commercial information contained in this data sheet. This data sheet is protected by copyright, and any unauthorized copying, reproduction, or dissemination is strictly prohibited without the prior written approval of Radios Inc.

### **Editorial Information:**

Last Updated

(Date)  
October, 27, 2008 PRELIMINARY