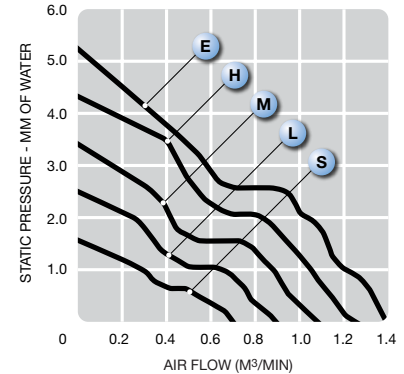
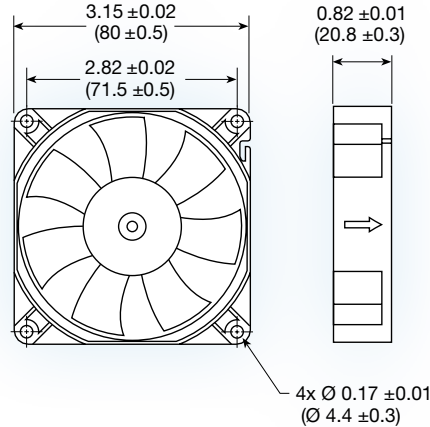


G8020 series



(80 x 80 x 20 mm)
3.15 x 3.15 x 0.79 inches

Construction:	UL94V-0 PBT impeller & frame
Bearing option:	ball bearing
Connection:	AWG 26, UL1007 lead wires
Frame:	ribbed
Protection:	thermal
Options:	tachometer output or locked rotor alarm signal; PWM speed control

Model No.	Rated Voltage V	Current mA			Speed RPM	Air Volume		Max. Static Pressure (H ₂ O)		Sound Noise dB _A	Weight g
		5	12	24		M ³ /Min.	CFM	MM	INCH		
G8020S	5/12/24	200	70	60	2,000	0.69	24	1.53	0.06	22	84
G8020L	5/12/24	300	110	75	2,500	0.88	31	2.45	0.10	25	84
G8020M	5/12/24	400	160	90	3,000	1.07	38	3.37	0.13	29	84
G8020H	12/24	-	230	140	3,500	1.23	43	4.29	0.17	33	84
G8020E	12/24	-	330	200	4,000	1.39	49	5.20	0.20	37	84