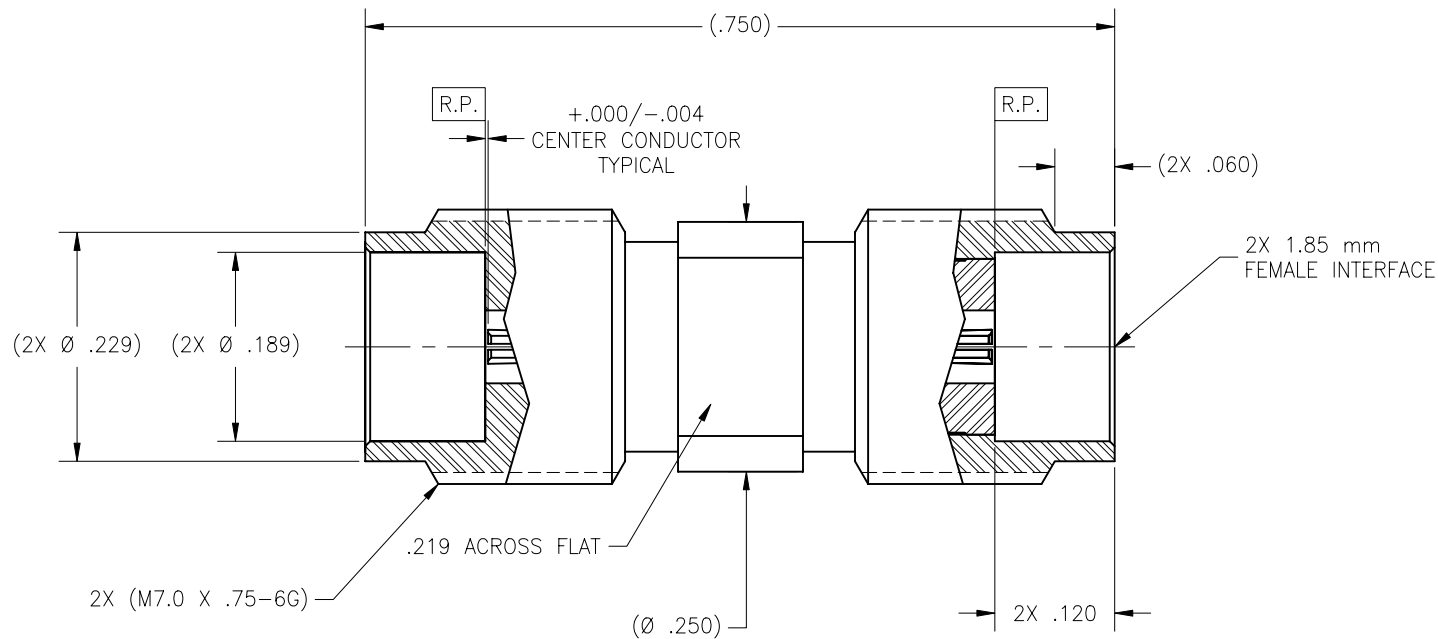


P/N	APPLICABLE NOTE(S)
CC	1,2,3
CCSF	1,2,3

REVISIONS				
ZONE	REV	DESCRIPTION	DATE	BY
-	A	ECO 15294	02.06.03	AGK



DRAWING NO.	V205	REV.	A
-------------	------	------	---

NOTE(S):

1. MATERIAL(S):
 - 1.1 BODY & INSERT: 303 SST PER ASTM A-582.
 - 1.2 CENTER CONDUCTOR: BeCu ALLOY PER ASTM B-196.
 - 1.3 INSULATOR: PTFE TEFLON PER ASTM D-1710.
 - 1.4 EPOXY: SIGMA VF TYPE HV
2. FINISH(ES):
 - 2.1 BODY & INSERT:
 - FOR (CCSF): PASSIVATED PER ASTM A-967.
 - FOR (CC): GOLD PLATE PER ASTM B-488 OVER NICKEL PLATE PER AMS-QQ-N-290.
 - 2.2 CENTER CONDUCTOR: GOLD PLATE PER ASTM B-488 OVER NICKEL PLATE PER AMS-QQ-N-290.
 - 2.3 INSULATOR AND EPOXY: NONE
3. ELECTRICAL PERFORMANCE(S):
 - 3.1 NOMINAL IMPEDANCE: 50 OHMS
 - 3.2 INSERTION LOSS IS 0.5dB, AT 40 GHz.
 - 3.3 VSWR: 1.3:1 DC-40 GHz

NOTICE
 THIS DRAWING EMBODIES A CONFIDENTIAL PROPRIETARY DESIGN ORIGINATED BY TENSOLITE COMPANY AND ALL DESIGN, MANUFACTURING, REPRODUCTION, USE AND SALE RIGHTS REGARDING THE SAME ARE EXPRESSLY RESERVED. IT IS SUBMITTED UNDER A CONFIDENTIAL RELATIONSHIP FOR A SPECIFIED PURPOSE AND THE RECIPIENT AGREES BY ACCEPTING THIS DRAWING NOT TO SUPPLY OR DISCLOSE ANY INFORMATION REGARDING IT TO ANY UNAUTHORIZED PERSON TO INCORPORATE IN OTHER PROJECTS ANY SPECIAL FEATURES PECULIAR TO THIS DESIGN. ALL PATENT RIGHTS HERETO ARE EXPRESSLY RESERVED BY TENSOLITE COMPANY, LONG BEACH, CALIFORNIA 90815.

TOLERANCES AND NOTES EXCEPT AS NOTED
 DIMENSIONS ARE IN INCHES.
 LINEAR .XX ±.015 .XXX ±.005 ANGULAR ± 1/2° FRACTION ± 1/32

1. MACHINE FINISH: \sqrt{RMS}
2. BREAK ALL SHARP EDGES .003 MAX.
3. MACHINED FILLETS: .005 MAX.
4. MACHINED SURFACES SQUARE TO RESPECTIVE AXIS WITHIN .005 INCHES PER INCH.
5. MACHINED DIAMETERS CONCENTRIC WITHIN .002 T.I.R.
6. DIMENSIONS TO BE MET BEFORE PLATING.
7. CHAMFER ALL THREADS 45°.
8. THREADS PER H-28
9. REMOVE FRAYED EDGES ON TEFLON.
10. REMOVE ALL BURRS.

SEE NOTE(S)	-	SEE NOTE(S)	-
MATERIAL	SIZE	SPECIFICATION	PROCUREMENT
NEXT ASSY		HIGH PERFORMANCE CABLES & INTERCONNECT SYSTEMS Long Beach, California 90815	
APPROVAL INITIALS	DATE	TITLE	
DRAWN BY: ATV	01.25.02	1.85 mm FEMALE STRAIGHT TO 1.85mm FEMALE ADAPTER	
CHECKED		SCALE	SUB-DIRECTORY/FILENAME
QUALITY		10/1	OL
ENGINEERING: TH	02.10.03	SIZE	SHEET 1 OF 1
		CAGE CODE	DRAWING NO.
		30990	V205
			REV. A