



## TDA7265

## LINEAR INTEGRATED CIRCUIT

### 25W+25W STEREO AMPLIFIER WITH MUTE & STAND-BY

#### DESCRIPTION

The UTC **TDA7265** is a stereo 25+25W class AB Dual Audio Power amplifier with mute and ST-BY control. This IC provides high output power of 25 watts per channel (at  $V_{CC}=\pm 20V$ ,  $f=1KHz$ ,  $THD=10\%$ ,  $R_L = 8 \Omega$ ). It has low  $I_Q$  at stand-by mode and no POP at turn ON or OFF.

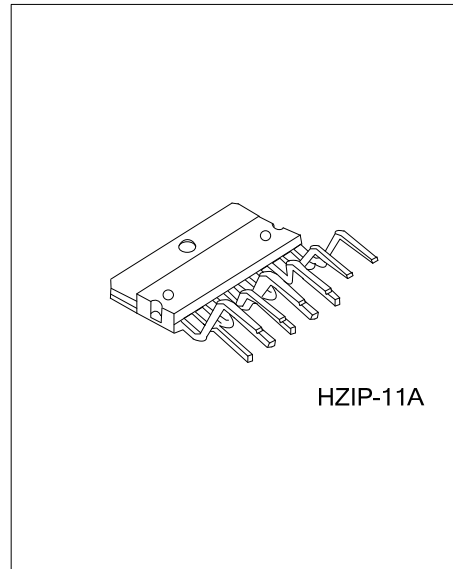
#### FEATURES

- \* High output power:  $P_{OUT} = 25 W/channel$  (Typ.)  
 $V_{CC} = \pm 20V$ ,  $R_L = 8\Omega$ ,  $f = 1KHz$ ,  $THD = 10\%$
- \* Operation supply voltage range ( $T_A = 25^\circ C$ )  
 $V_{CC(OPER)} = \pm 5 \sim \pm 25V$  ( $R_L = 8 \Omega$ )  
 $V_{CC(OPER)} = \pm 5 \sim \pm 18V$  ( $R_L = 4 \Omega$ )
- \* Split supply
- \* Built in overload protection circuit.
- \* Built in thermal shut down protector circuit.
- \* Built in audio muting circuit (POP free)
- \* Built in standby circuit.

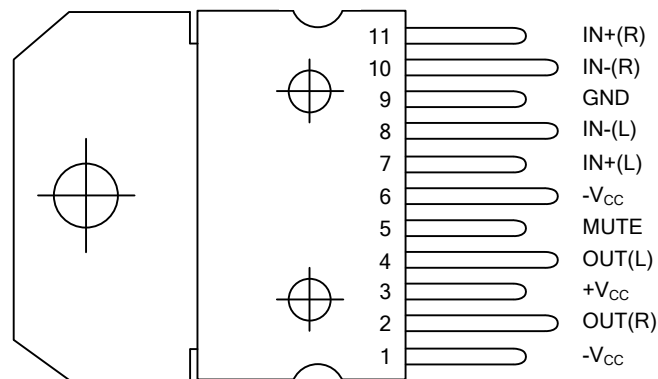
#### ORDERING INFORMATION

Ordering Number		Package	Packing
Lead Free	Halogen Free		
TDA7265L-J11-A-T	TDA7265G-J11-A-T	HZIP-11A	Tube

<p>TDA7265L-J11-A-T</p> <p>(1) Packing Type (2) Package Type (3) Lead Free</p>	<p>(1) T: Tube (2) J11-A: HZIP-11A (3) L: Lead Free, G: Halogen Free</p>
--	--



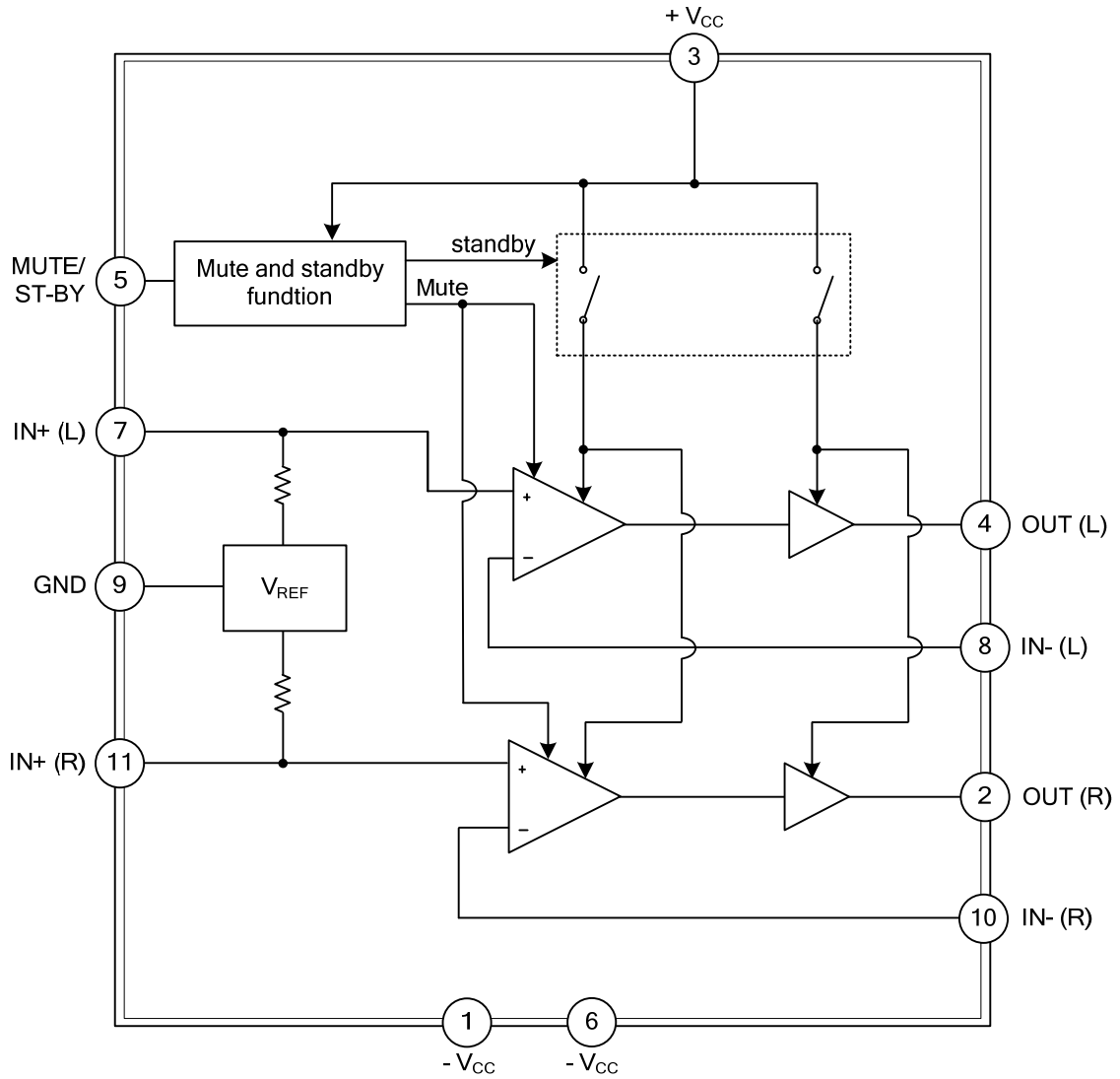
### ■ PIN CONFIGURATION



### ■ PIN DESCRIPTION

PIN NO.	PIN NAME	DESCRIPTION
1	$-V_{CC}$	Negative supply
2	OUT(R)	Output(right)
3	$+V_{CC}$	Positive Supply voltage
4	OUT(L)	Output(left)
5	MUTE	Mute/standby switch input
6	$-V_{CC}$	Negative supply
7	IN+(L)	non-inverting input(left)
8	IN-(L)	inverting input(left)
9	GND	Ground
10	IN-(R)	inverting input(right)
11	IN+(R)	non-inverting input(right)

■ BLOCK DIAGRAM



### ■ ABSOLUTE MAXIMUM RATING

PARAMETER	SYMBOL	RATINGS	UNIT
DC Supply Voltage	$V_{CC}$	$\pm 25$	V
Output Power Current (internally limited)	$I_{OUT}$	4.5	A
Power Dissipation ( $T_A=70^\circ\text{C}$ )	$P_D$	30	W
Junction Temperature	$T_J$	+150	$^\circ\text{C}$
Operating Temperature	$T_{OPR}$	-20~85	$^\circ\text{C}$
Storage Temperature	$T_{STG}$	-40 ~ +150	$^\circ\text{C}$

Note: Absolute maximum ratings are those values beyond which the device could be permanently damaged. Absolute maximum ratings are stress ratings only and functional device operation is not implied.

### ■ THERMAL DATA

PARAMETER	SYMBOL	RATING	UNIT
Junction to Case	$\theta_{JC}$	2	$^\circ\text{C}/\text{W}$

### ■ ELECTRICAL CHARACTERISTICS

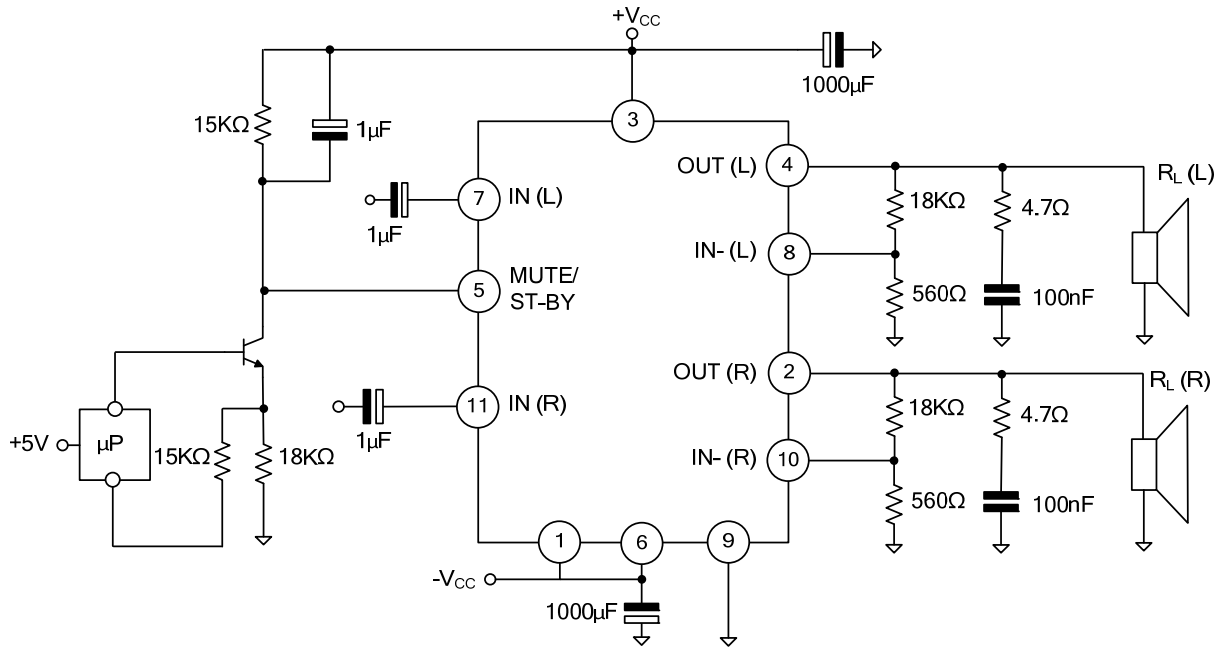
( $V_{CC} = \pm 20\text{V}$ ,  $R_L = 8\Omega$ ,  $R_S = 50\Omega$ ,  $G_V = 30\text{dB}$ ,  $f = 1\text{KHz}$ ,  $T_A = 25^\circ\text{C}$ , unless otherwise specified)

PARAMETER	SYMBOL	TEST CONDITION	MIN	TYP	MAX	UNIT
Supply Voltage Range	$V_{CC}$		$\pm 5$		$\pm 25$	V
Total Quiescent Current	$I_Q$			80	130	mA
<b>INPUT SECTION</b>						
Input Offset Voltage	$V_{I(OFF)}$		-20		20	mV
Bias Current	$I_{BIAS}$			500		nA
Input Resistance	$R_{IN}$		15	20		K $\Omega$
<b>OUTPUT SECTION</b>						
Output Power	$P_{OUT}$	THD=10%	$V_{CC}=\pm 20\text{V}$ , $R_L = 8\Omega$	20	25	W
			$V_{CC}=\pm 16\text{V}$ , $R_L = 4\Omega$		25	W
		THD = 1%	$V_{CC} = \pm 20\text{V}$ , $R_L = 8\Omega$		20	W
			$V_{CC}=\pm 16\text{V}$ , $R_L = 4\Omega$		20	W
Total Harmonic Distortion	THD	$R_L = 8\Omega$ , $P_{OUT} = 1\text{W}$ , $f = 1\text{KHz}$		0.01		%
		$R_L = 8\Omega$ , $P_{OUT} = 0.1 \sim 15\text{W}$ , $f = 100\text{Hz} \sim 15\text{KHz}$			0.7	%
		$R_L = 4\Omega$ , $P_{OUT} = 1\text{W}$ , $f = 1\text{KHz}$		0.02		%
		$R_L = 4\Omega$ , $V_{CC} = \pm 16\text{V}$ , $P_{OUT} = 0.1 \sim 12\text{W}$ , $f = 100\text{Hz} \sim 15\text{KHz}$			1	%
Cross Talk	$C_T$	$f = 1\text{KHz}$		70		dB
		$f = 10\text{KHz}$		60		dB
Slew Rate	SR			10		V/ $\mu\text{s}$
Open Loop Voltage Gain	$G_{VO}$			80		dB
Total Output Noise	eN	A Curve		3		$\mu\text{V}$
		$f = 20\text{Hz to } 22\text{KHz}$		4	8	$\mu\text{V}$
Supply Voltage Rejection (each channel)	SVR	$f = 100\text{Hz}$ , $V_R = 0.5\text{V}$		60		dB

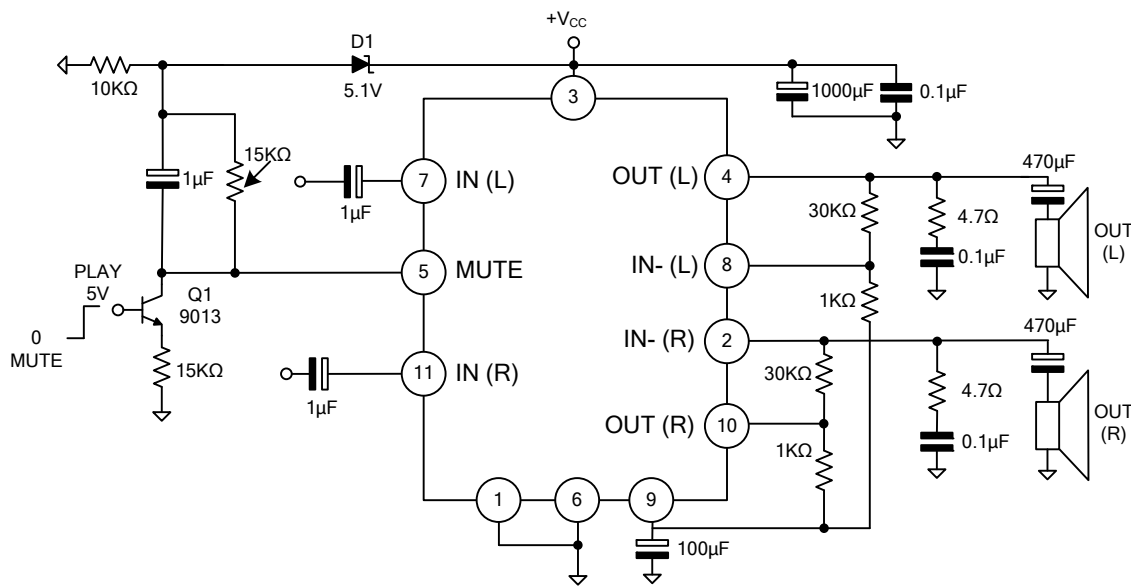
■ ELECTRICAL CHARACTERISTICS(Cont.)

PARAMETER	SYMBOL	TEST CONDITION	MIN	TYP	MAX	UNIT
<b>THERMAL PROTECTION</b>						
Thermal Shut-down Junction Temperature	$T_J$			145		°C
<b>MUTE FUNCTION</b>						
Mute /Play Threshold	$V_{T\_MUTE}$		-7	-6	-5	V
Mute Attenuation	$A_{MUTE}$		60	70		dB
<b>STAND-BY FUNCTIONS</b>						
Stand-by Mute threshold	$V_{T\_ST-BY}$		-3.5	-2.5	-1.5	V
Stand-by Attenuation	$A_{ST-BY}$			110		dB
Quiescent Current ( Stand-by)	$I_{Q(ST-BY)}$			3		mA

## ■ TYPICAL APPLICATION CIRCUIT

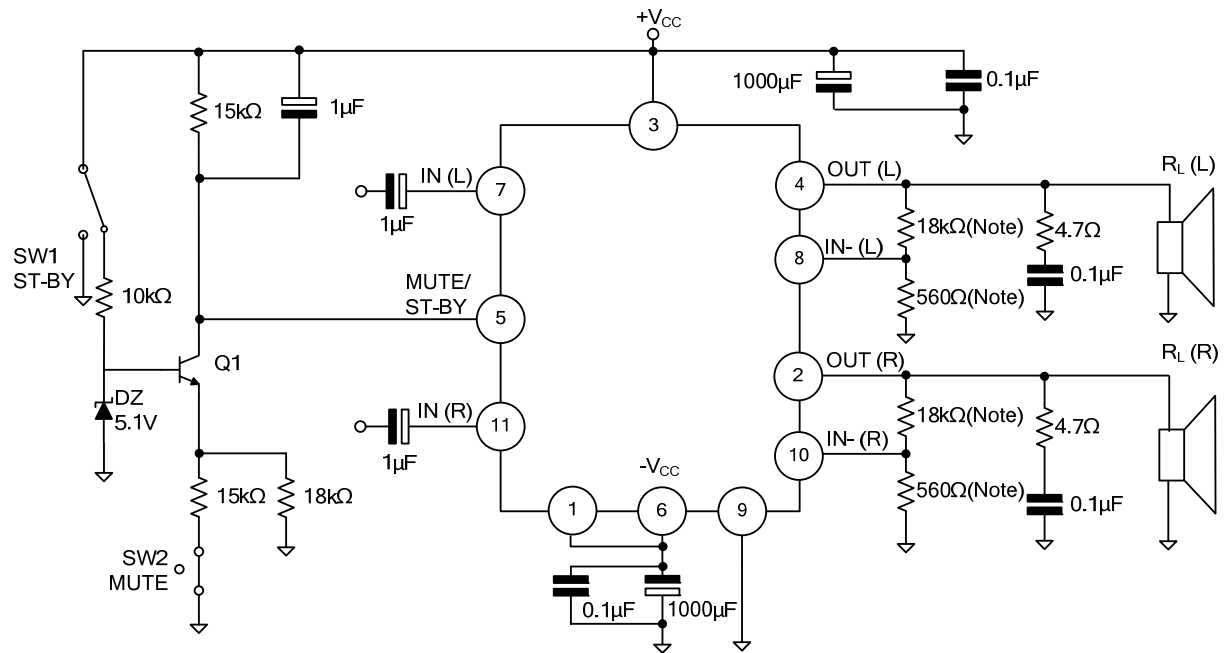


Typical Application Circuit



Single Supply Application

■ TYPICAL APPLICATION CIRCUIT(Cont.)



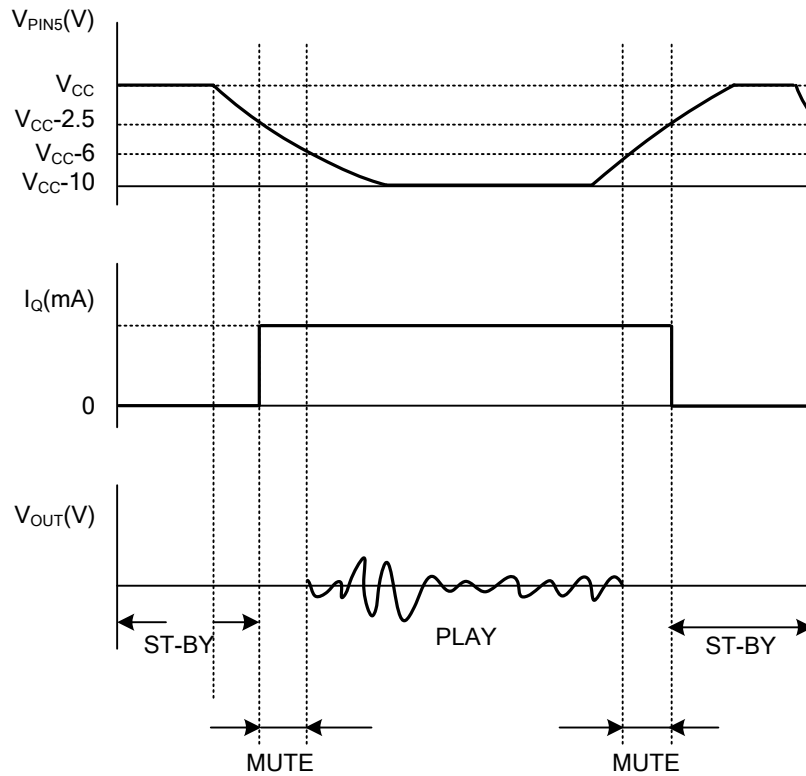
Note: Closed loop gain has to be  $\geq 25\text{dB}$

Test and Application Circuit (Stereo Configuration)

### ■ MUTE STAND-BY FUNCTION

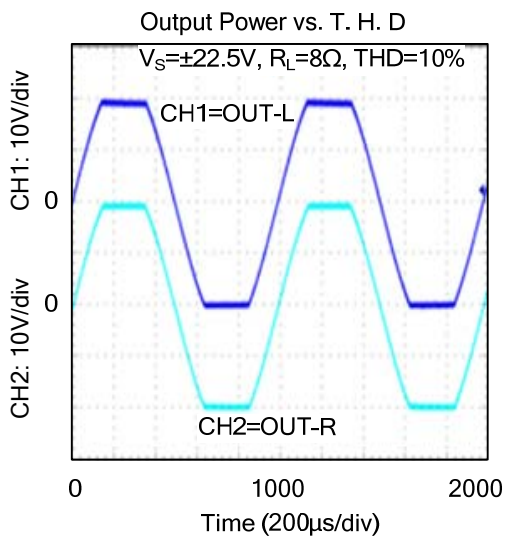
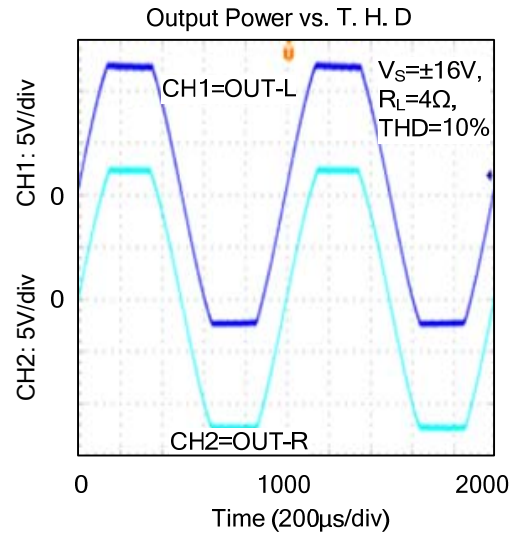
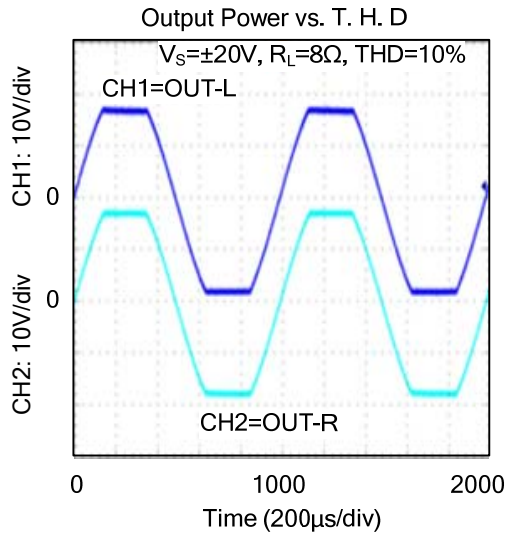
The pin 5 (MUTE/STAND-BY) controls the amplifier status by two different thresholds, referred to  $+V_{CC}$ .

$V_{PIN5}$	Amplifier Status
$+V_{CC} > V_{PIN5} \geq +V_{CC} - 2.5V$	Stand-by Mode
$+V_{CC} - 2.5V > V_{PIN5} > +V_{CC} - 6V$	Mute Mode
$V_{PIN5} \leq +V_{CC} - 6V$	Play Mode





### ■ TYPICAL CHARACTERISTICS



UTC assumes no responsibility for equipment failures that result from using products at values that exceed, even momentarily, rated values (such as maximum ratings, operating condition ranges, or other parameters) listed in products specifications of any and all UTC products described or contained herein. UTC products are not designed for use in life support appliances, devices or systems where malfunction of these products can be reasonably expected to result in personal injury. Reproduction in whole or in part is prohibited without the prior written consent of the copyright owner. The information presented in this document does not form part of any quotation or contract, is believed to be accurate and reliable and may be changed without notice.