

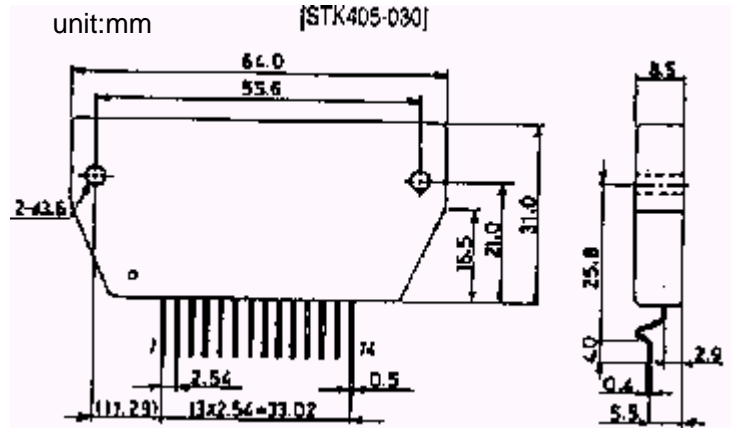
STK405-030

2ch AF Power Amplifier(Split Power Supply)

◆ Features

- . Class B amplifiers
- . Low supply switching shock noises
- . Pin assignment grouped into individual blocks of inputs ,outputs and supply lines to minimize the adverse effects of pattern layout on operating characteristics
- . Standby operation possible using external circuit

Package Dimensions



Specifications

◆ Maximum Ratings at Ta=25

Parameter	Symbol	Conditions	Ratings	UNIT
Maximum supply voltage	$V_{CC \text{ max}}$		± 30.5	V
Thermal resistance	j-c	Per power transistor	3.4	/W
Junction temperature	T_j		150	
Operating substrate temperature	T_c		125	
Storage temperature	T_{stg}		-30 to+125	
Available time for load short-circuit	t_s	$V_{CC} = \pm 18.5V, R_L = 6 \Omega, f = 50Hz, P_O = 20W$	1	s

◆ Operating characteristics at Ta=25 , $R_L = 6 \Omega, R_g = 600 \Omega, V_G = 26dB,$ R_L : non-inductive load

Parameter	Symbol	Conditions	min	typ	max	unit
Quiescent current	I_{CCO}	$V_{CC} = \pm 24.0V$ no load		12	20	mA
Output power	P_O	$V_{CC} = \pm 18.5V, THD = 10.0\%$ $f = 1kHz$	20			W
Total harmonic distortion	THD	$V_{CC} = \pm 18.5V, P_O = 5.0W, f = 1kHz$		0.04	0.1	%
Frequency response	f_L, f_H	$P_O = 1.0W, \pm 0$ dB $V_{CC} = \pm 18.5V$ -3		20 to 50k		Hz
Input impedance	r_j	$V_{CC} = \pm 18.5V, P_O = 1.0W, f = 1kHz$		55		k
Output noise voltage	V_{NO}	$V_{CC} = \pm 24.0V, R_g = 10 k$			1.2	mVrms
Neutral voltage	V_N	$V_{CC} = \pm 24.0V$	-100	0	+100	mV