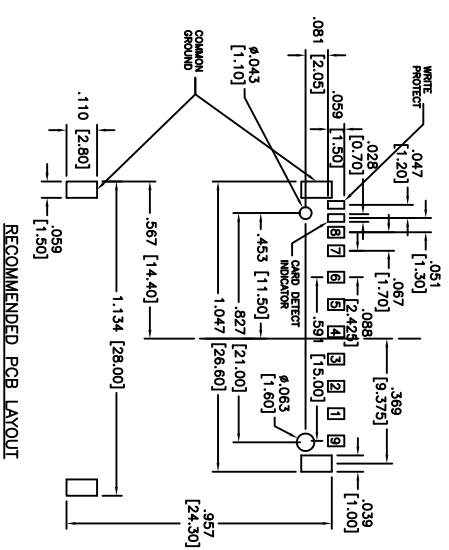
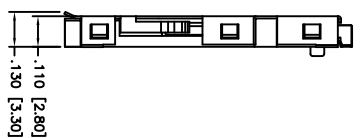
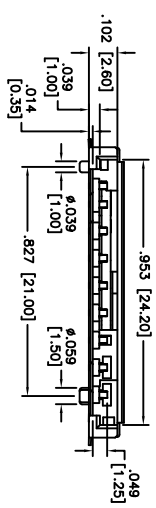
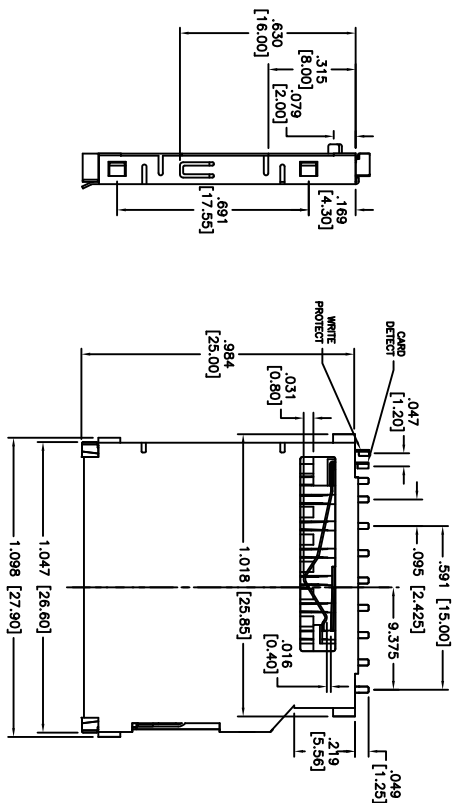
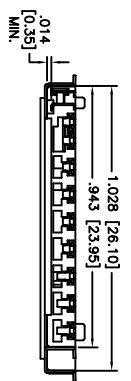
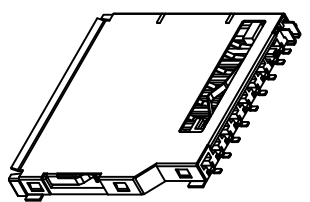


Rev	AWO #	Description	Date	Appr
-		RELEASED	1/20/11	

APPROVED: \_\_\_\_\_  
 DATE: \_\_\_\_\_ TITLE: \_\_\_\_\_



PIN #	NAME
1	CD / DAT3
2	CMD
3	VSS1
4	VDD
5	CLK
6	VSS2
7	DAT0
8	DAT1
9	DAT2



PACKAGED ON TAPE & REEL

**SPECIFICATIONS:**

Material: Insulator: Thermal Plastic, rated UL 94V-0

Insulator color: Natural

Contacts: Copper Alloy

Plating: 15u" Gold over Nickel underplate on contact area, Tin over Copper underplate on SMT tails

Electrical: Current rating: 1 Amp max

Contact resistance: 100 mohms

Insulation resistance: 1000 Mohms min

Mechanical: Mating Cycle: 10000 Cycles

Temperature Rating: Operating temperature: -40°C to +85°C

Environmental: Lead free, RoHS compliant.

Recommended soldering temp: 260°C for 5 sec.

RECOMMENDED SOLDERING TEMP: 260°C FOR 5 SEC.

UNLESS OTHERWISE SPECIFIED  
 ALL DIMENSIONS ARE IN INCHES [MM]  
 TOLERANCES: EXCEPT AS NOTED  
 INCHES ± .10  
 .XX ± .020  
 .XXX ± .015  
 HOLES Ø.X ± .10  
 Ø.XXX ± .015

APPROVALS

DRAWN AY 1/20/11

CHECKED JL 1/20/11

APPROVED

**ADAM TECH**  
 909 Railway Avenue, Union, NJ 07083  
 Phone: 908-687-5000 Fax: 908-687-5710

TITLE: SECURE DIGITAL SOCKET, 9 PIN  
 NO STANDOFFS, 15u" SEL GOLD PLATED

SIZE PART NO. SDM-09-A-SG-0-15-TR

REF: S00009T SCALE: NTS SHEET 1 OF 1

REV.

APPROVED