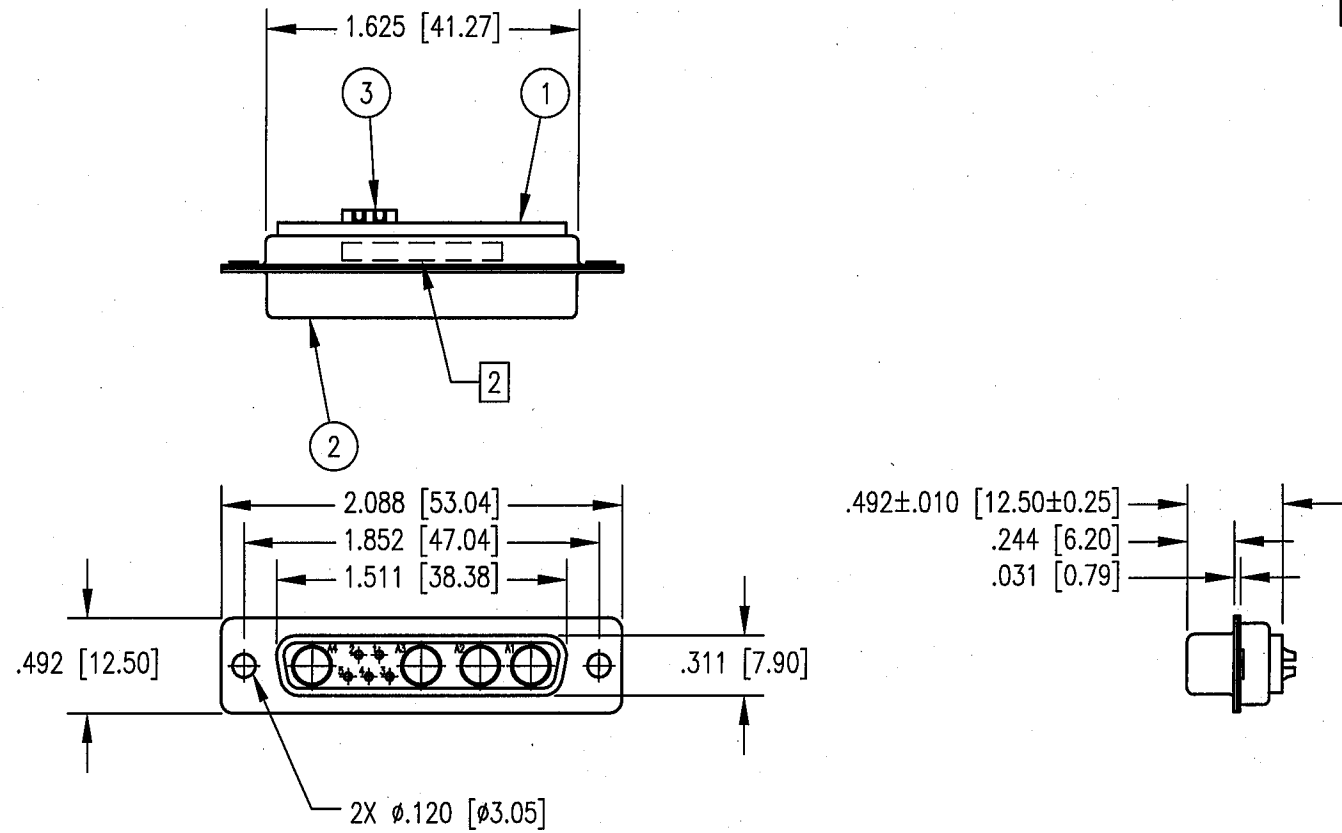


| | | | |
|----------|----------------------|----------------|------|
| DWG. NO. | | SDRM9W4S-50-TB | |
| REV | DESCRIPTION | BY DATE | APPD |
| B | RELEASE PER ECR 7729 | 05/13/01 | JED |



NOTES:

1. THIS CONNECTOR IS DESIGNED TO MEET THE APPLICABLE PERFORMANCE REQUIREMENTS OF MIL-DTL-24308, MS18270, DSCC 85039 AND DCSS 89076.
2. APPROXIMATE LOCATION OF MARKING AS SHOWN ON INDICATED SURFACE.

SPECIFICATIONS:
MATERIALS & FINISHES

- ① INSULATOR: THERMOPLASTIC POLYESTER, GLASS FILLED
RATED 50 KV/MM. COLOR: GREEN
- ② SHELL: STEEL
FINISH: TIN PLATE
- ③ CONTACTS: BRASS
FINISH: GOLD OVER NICKEL

| | | | | | |
|--|------------------|-----------------|---|---|----------------|
| PER ASME Y14.5M-1994 UNLESS OTHERWISE SPECIFIED: DIMENSIONS ARE IN INCHES [MM] | | | | Winchester Electronics 62 Barnes Industrial Road North Wallingford, CT 06492 | |
| TOLERANCES: DECIMALS .XX ± .01/0.254 .XXX ± .005/0.127 ANGLES ± 2° SCALE: 1:1 | | | | | |
| CUSTOMER DRAWING | | | TITLE D-SUB HOUSING MIXED LAYOUT (9W4S) | | |
| DRAWN JWH | DATE 05/13/03 | CHECKED JED | DATE 5/30/01 | REV. | |
| APPROVED JEM | DATE 5/30/01 | APPROVED KJT | DATE 5/30/01 | A | SDRM9W4S-50-TB |
| | | | | SHT. | 1 OF 1 |