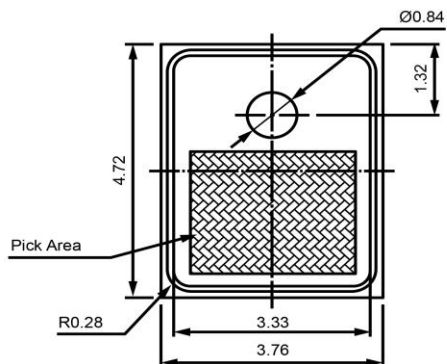
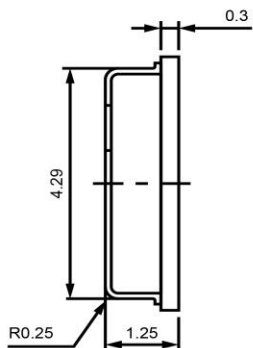


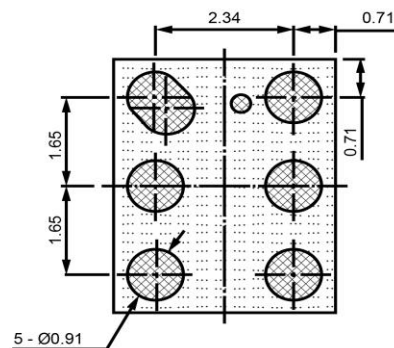
TOP VIEW



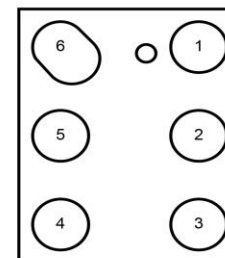
SIDE VIEW





BOTTOM VIEW (1)



BOTTOM VIEW (2)



Specifications			Notes	Revision History					
Description	Value	Unit		Version	Description		Date	Approved	
Directivity	Omnidirectional		1) All dimensions are in mm unless otherwise noted 2) All parts meet RoHS	1	Released from Engineering		2/10/2014	J.S.	
Technology	MEMS								
Sensitivity	-26	(dB)							
Frequency Range	70 ~ 16,000	(Hz)							
Rated Voltage	2.0	(V)							
Connection Method	Surface Mount Pads								
Voltage Range	1.6 ~ 3.6	(V)							
Max Rated Current (Operation Mode)	0.85	(mA)							
Rated Current (Sleep Mode)	0.55	(mA)							
Min. Signal to Noise Ratio	55	(dB)							
Total Harmonic Distortion @ 100dB	1	%							
Total Harmonic Distortion @ 115dB	10	%							
			Digital MEMS Microphone			MM042602-3			
				Drawn by: G.W.    Date: 2/1/2014    Checked by: C.E.    Date: 2/2/2014    Approved by: J.S.    Date: 2/10/2014					