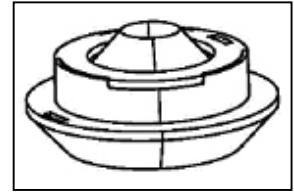




LENS-13



TECHNICAL DATA

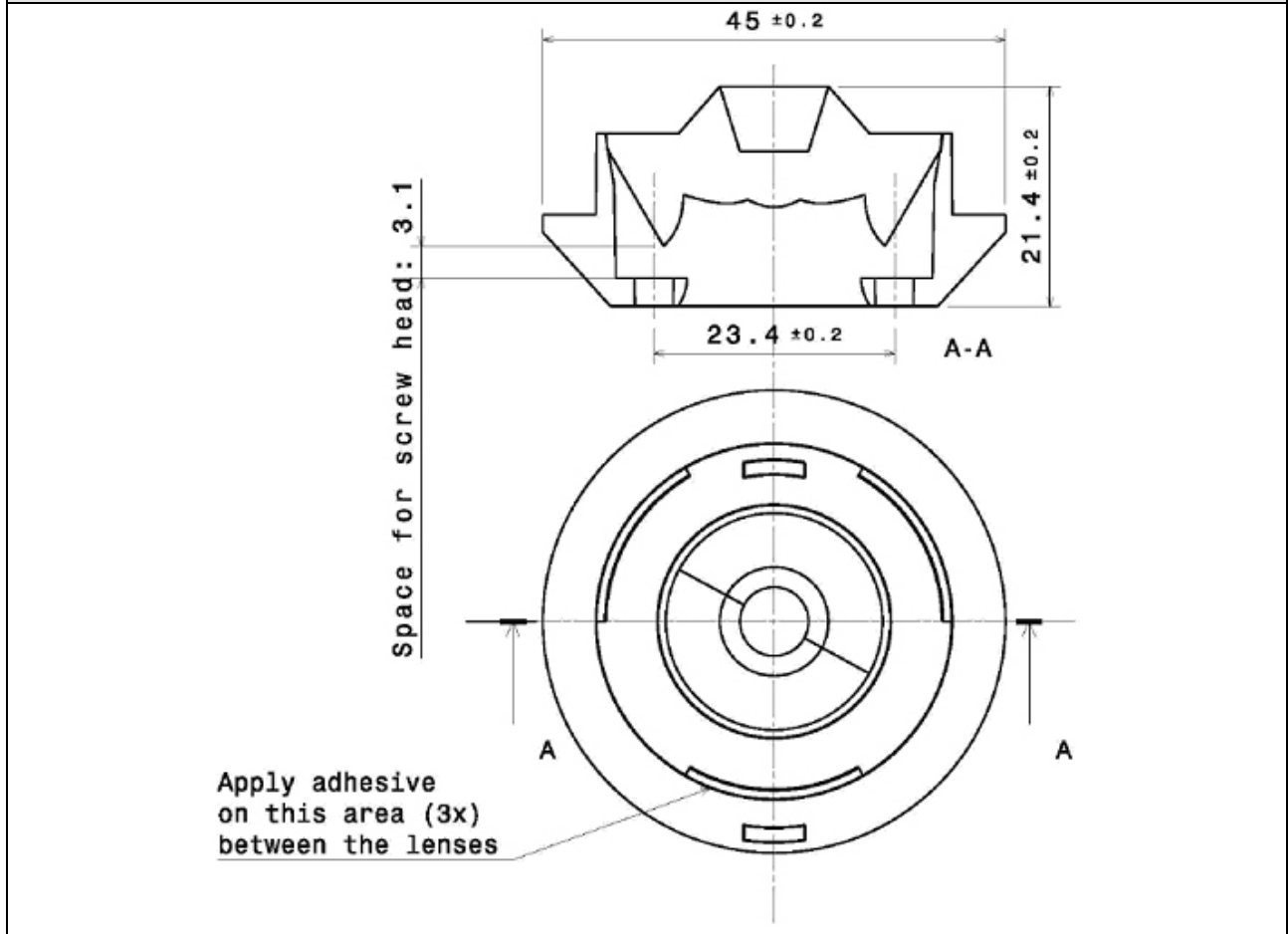
Optic for High Power LEDs

TO-66 Package

LENS-13 is designed to be compatible with TO-66 packaged high power LEDs. That kind of lens-reflector combination generates a narrow beam of +/-15° out of the surface. Base and top of that part are made of PMMA. Two holes on the base of LENS-13 allows it to easily align and mount the optic.

Outline Dimensions

Tolerance: EN 2768-m



Specifications

Item	Value
Material	PMMA
Dimension	Ø45.0 x 21.4 mm
Weight	17 g



Included in delivery

- LENS-13: Top and Base
- 2x screws M3.0x12

Recommended Storage and Handling of Lenses

Storage

For extended periods of time, the lenses should be stored in a "dry box" environment. This entails the use of a desiccant (e.g., silica gel) or a heat source to prevent humidity from leaching the lens material.

In addition to humidity requirement, the lenses need to have sufficient spacing to avoid potential damage such as chipping and scratching from other lenses.

Handling

Do not handle or install lenses without wearing gloves, skin oils may damage the lens or the light transmission.

Mount lenses by taking care of overbolting – PMMA can crack.

Cleaning

At times it is necessary to clean the lens surfaces due to the presence of some dust or film which may impair the image. We generally recommends the use of mild soap and water. Dry with a clean soft cloth.

Do not use any commercial solvents on lenses.