

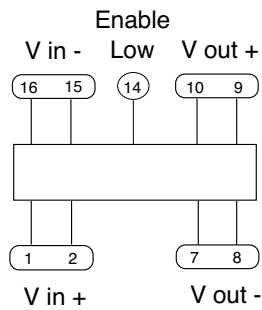
Ethernet DC/DC Regulated Converter EPC1110P & EPC1110H

- Features**
- 65 % Typical efficiency at full load
 - Regulated with Enable Low
 - Input / Output Isolation
 - Input filter to reduce input ripple current
 - Designed for low common mode noise

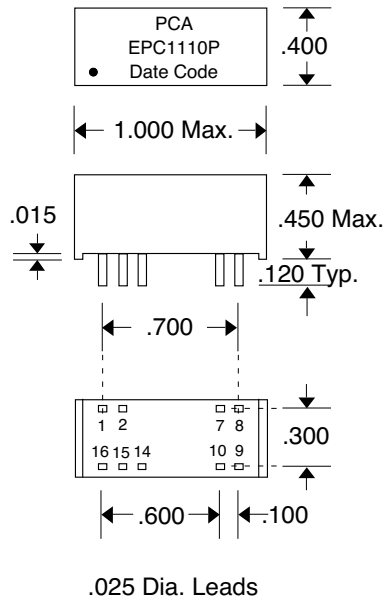
Electrical Specifications

PCA P/N	Standard Package	Optional Packages	Input Voltage V	Output Voltage V	Output Current mA Max.	Output Ripple & Noise @ 20 MHz BW mV p-p	Isolation Vrms
EPC1110P	N2	N2-G	5 ±10%	-9 ± 5%	120	50 Max.	500
EPC1110H	N2	N2-G	5 ±10%	-9 ± 5%	120	50 Max.	2000

PIN CONNECTIONS



PACKAGE N2



PACKAGE N2-G

