
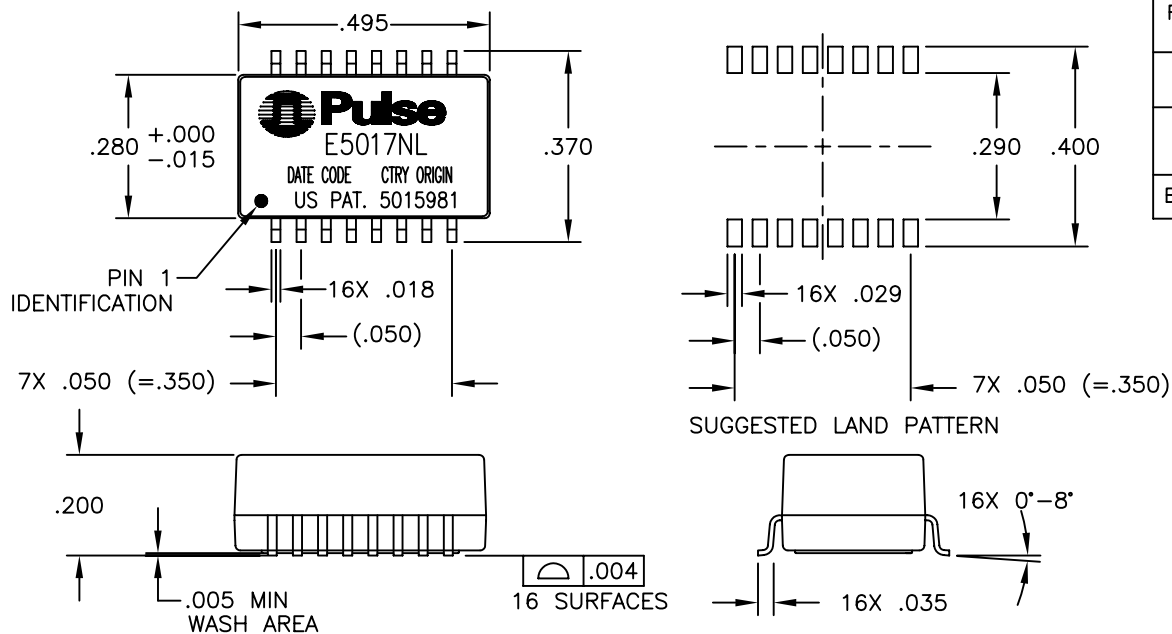


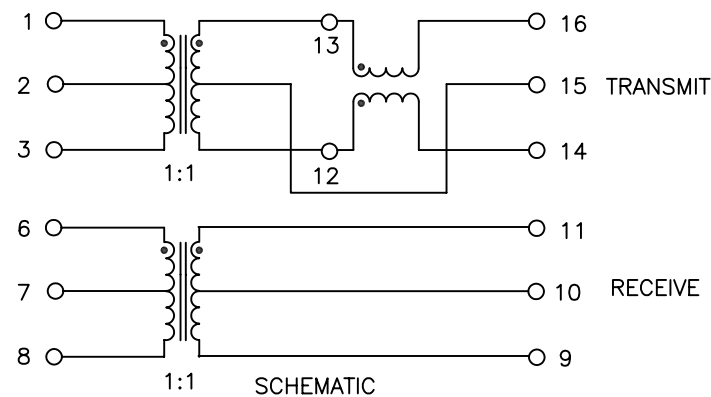
NOTES: UNLESS OTHERWISE SPECIFIED

- | | |
|---------|--|
| NOTICE: | THIS IS A RoHS COMPLIANT COMPONENT/PRODUCT. ALL ENGINEERING CHANGES MUST HAVE PRIOR APPROVAL BY THE DESIGN CENTER. |
| RoHS |  |
- HEADER: THERMOSET PLASTIC MATERIAL WITH FLAMMABILITY RATING UL 94V-0 OR BETTER.
- PCB CONTACTS SOLDER AREA: SN100C TIN PLATING.
- SOLDERABILITY: CONFORMS TO ANSI/J-STD-002, IPC/EIA J-STD-003A.
- OPERATING TEMPERATURE: 0°C TO +70°C
- STORAGE TEMPERATURE: -20°C TO +125°C
- JEDEC MOISTURE: LEVEL 1.



ELECTRICAL CHARACTERISTICS AT +25°C UNLESS OTHERWISE SPECIFIED
(FOR REFERENCE ONLY. USED FOR CUSTOMER INFORMATION.)

PARAMETER	SPECIFICATIONS							
OPERATING TEMP	0°C - 70 °C							
URNS RATIO	1 : 1 $\pm 3\%$							
POLARITY	PER SCHEMATIC							
CAPACITANCE WINDING TO WINDING (SAMPLE)	12 pF MAX (AT 100 KHz 20 mVRMS)							
LEAKAGE INDUCTANCE	0.50 uH MAXIMUM (AT 100KHz 20mVRMS)							
PRIMARY INDUCTANCE	140uH MINIMUM (100KHz AT 20mVRMS)							
COMMON MODE REJECTION RATIO		100 KHz	1 MHz	5 MHz	20 MHz	30 MHz	90 MHz	200 MHz
	TX	-60 dB MIN	-60 dB MIN	-45 dB MIN	-40 dB MIN	-35 dB MIN	-30 dB MIN	-20 dB MIN
	RX	-60 dB MIN	-60 dB MIN	-40 dB MIN	-30 dB MIN	-25 dB MIN	-25 dB MIN	-15 dB MIN
INSERTION LOSS		1 MHz		5 MHz~10 MHz				
	TX	-0.6 dB MAX		-0.5 dB MAX				
	RX	-0.8 dB MAX		-0.6 dB MAX				
RETURN LOSS		1 MHz		5 MHz~10 MHz				
	TX	-19 dB MIN		-23 dB MIN				
	RX	-19 dB MIN		-21 dB MIN				
CROSSTALK		1 MHz~10 MHz						
		-50 dB MIN						
COMMON TO DIFFERENTIAL MODE REJECTION		100 KHz~1 MHz	5 MHz	20 MHz	30 MHz	90 MHz	200 MHz	
		-60 dB MIN	-50 dB MIN	-40 dB MIN	-35 dB MIN	-30 dB MIN	-20 dB MIN	
BETWEEN CHANNEL ISOLATION		1500 VRMS MIN @ 60 SECONDS						



© Copyright, 2010. Pulse Engineering, Inc. All rights reserved. Drawing specifications subject to change without notice. (04/14/10)

PULSE CONFIDENTIAL & PROPRIETARY	PRODUCT DESCRIPTION	PS DRAWING	SHEET:	DWG. NO./ PART NO.	REV.
	MDL,SIN,10D,1:1,SM,TU	PS-0009.001-F	1	E5017NL	M13