

**LOW-POWER OFF-LINE PRIMARY SIDE REGULATION CONTROLLER AP1680****General Description**

The AP1680 is a high performance AC/DC power supply controller for LED drivers, battery charger and adapter applications. The device uses Pulse Frequency Modulation (PFM) method to build discontinuous conduction mode (DCM) flyback power supplies.

The AP1680 provides accurate constant voltage, constant current (CV/CC) regulation while removing the opto-coupler and secondary control circuitry. It also eliminates the need of loop compensation circuitry while maintaining stability. The AP1680 achieves excellent regulation and high average efficiency, yet meets the requirement for no-load consumption less than 30mW.

The AP1680 is available in SOT-23-6 package.

Features

- Primary Side Control for Rectangular Constant Current and Constant Voltage Output
- Sub-microampere Start-up Current
- 30mW No-load Input Power Feasible
- Tight CC Regulation Performance
- Eliminates Opto-coupler and Secondary CV/CC Control Circuitry
- Eliminates Control Loop Compensation Circuitry
- Flyback Topology in DCM Operation
- Random Frequency Modulation to Reduce System EMI
- Built-in Soft Start
- Open Feedback Protection
- Short Circuit Protection
- SOT-23-6 Package

Applications

- LED Drivers
- Adapters/Chargers for Cell/Cordless Phones, PDAs, MP3 and Other Portable Apparatus
- Standby and Auxiliary Power Supplies

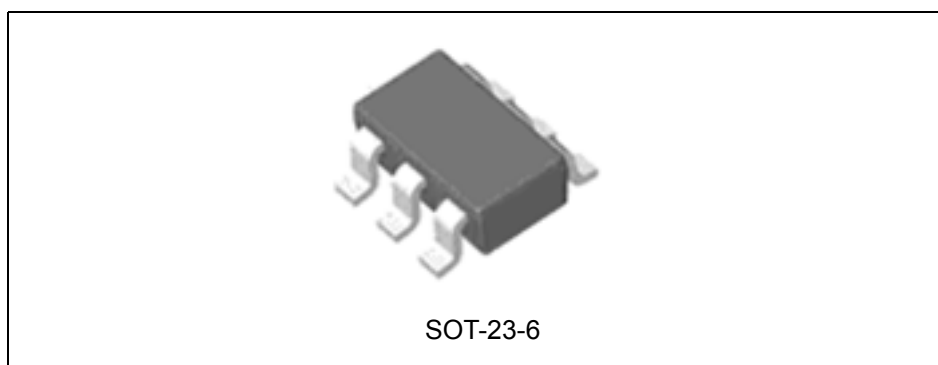


Figure 1. Package Type of AP1680

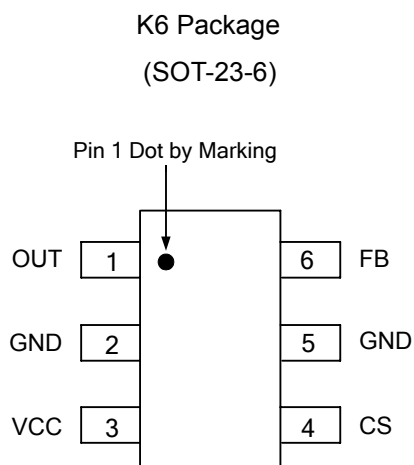
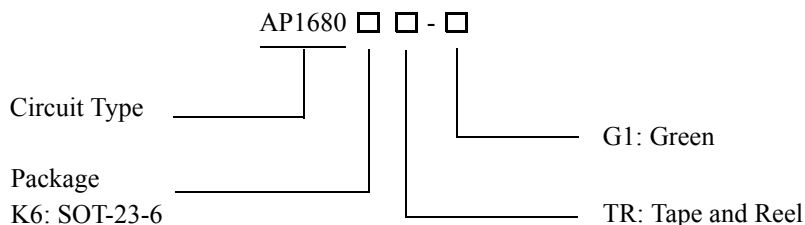
LOW-POWER OFF-LINE PRIMARY SIDE REGULATION CONTROLLER AP1680
Pin Configuration


Figure 2. Pin Configuration of AP1680 (Top View)

Pin Description

Pin Number	Pin Name	Function
1	OUT	This pin drives the base of external power NPN switch
2, 5	GND	Ground
3	VCC	Supply voltage
4	CS	The primary current sense
6	FB	The voltage feedback from the auxiliary winding

**LOW-POWER OFF-LINE PRIMARY SIDE REGULATION CONTROLLER AP1680****Ordering Information**

Package	Temperature Range	Part Number	Marking ID	Packing Type
SOT-23-6	-40 to 105°C	AP1680K6TR-G1	GBF	Tape & Reel

BCD Semiconductor's products, as designated with "G1" suffix in the part number, are RoHS compliant and Green.

Absolute Maximum Ratings (Note 1)

Parameter	Value	Unit
Supply Voltage VCC	-0.3 to 36	V
Voltage at CS, OUT to GND	-0.3 to 7	V
FB Input	-40 to 10	V
Output Current at OUT	Internally limited	A
Operating Junction Temperature	150	°C
Storage Temperature	-65 to 150	°C
Lead Temperature (Soldering, 10s)	300	°C
Thermal Resistance Junction-to-Ambient	250	°C/W
ESD (Machine Model)	200	V
ESD (Human Body Model)	2000	V

Note 1: Stresses greater than those listed under "Absolute Maximum Ratings" may cause permanent damage to the device. These are stress ratings only, and functional operation of the device at these or any other conditions beyond those indicated under "Recommended Operating Conditions" is not implied. Exposure to "Absolute Maximum Ratings" for extended periods may affect device reliability.



LOW-POWER OFF-LINE PRIMARY SIDE REGULATION CONTROLLER AP1680

Electrical Characteristics

(V_{CC}=15V, T_A=25°C, unless otherwise specified.)

Parameter	Symbol	Conditions	Min	Typ	Max	Unit
UVLO SECTION						
Start-up Threshold	V _{TH(ST)}		16	18.5	21	V
Minimal Operating Voltage	V _{OPR(min)}		7.2	9	10.2	V
STANDBY CURRENT SECTION						
Start-up Current	I _{ST}	V _{CC} =V _{TH(ST)} -0.5V, Before start-up			0.6	μA
Operating Current	I _{CC(OPR)}	Static		200	320	μA
DRIVE OUTPUT SECTION						
OUT Maximum Current	Sink	I _{OUT}	50			mA
	Source		24	30	36	
CURRENT SENSE SECTION						
Current Sense Threshold	V _{CS}		455	510	545	mV
Equivalent Current Sense Voltage Accuracy	$\frac{\Delta V_{cs, eq}}{V_{cs, eq}}$	Note 2			3	%
Pre-Current Sense	V _{CS(PRE)}		365	410	455	mV
Leading Edge Blanking				750		ns
FEEDBACK INPUT SECTION						
Feedback Pin Input Leakage Current	I _{FB}	V _{FB} =4V	2.0	2.5	3.1	μA
Feedback Threshold	V _{FB}		3.59	3.83	4.07	V

Note 2: The output current is given by $I_{OUT} = \frac{V_{cs, eq}}{R_{cs}} \times \frac{N_p}{N_s}$.



LOW-POWER OFF-LINE PRIMARY SIDE REGULATION CONTROLLER AP1680

Typical Performance Characteristics

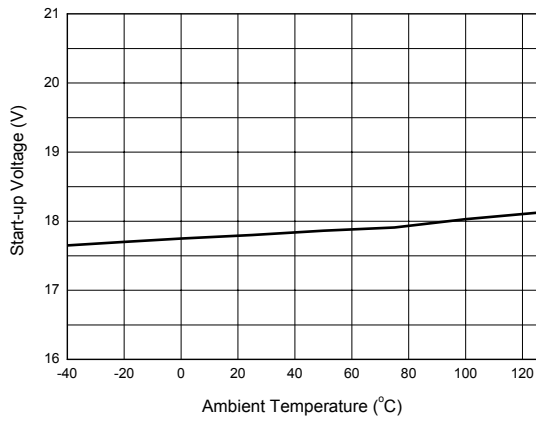


Figure 4. Start-up Voltage vs. Ambient Temperature

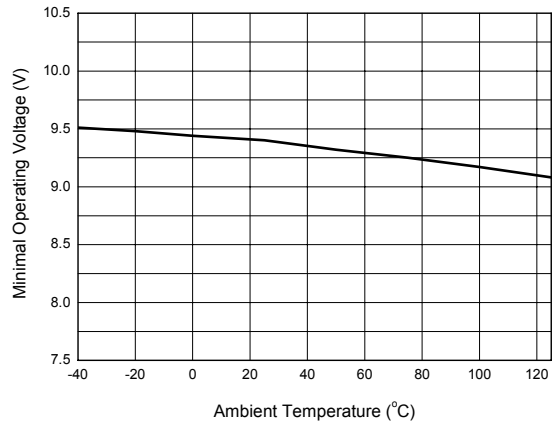


Figure 5. Minimal Operating Voltage vs. Ambient Temperature

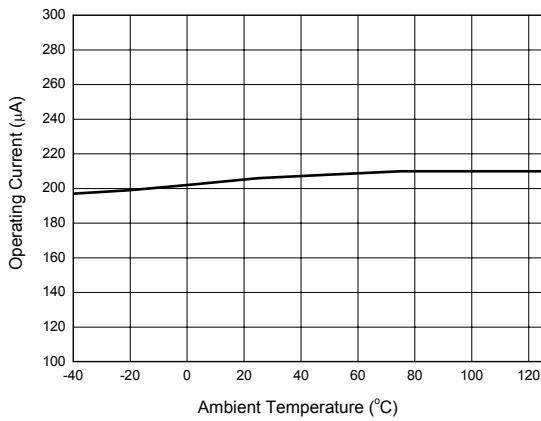


Figure 6. Operating Current vs. Ambient Temperature

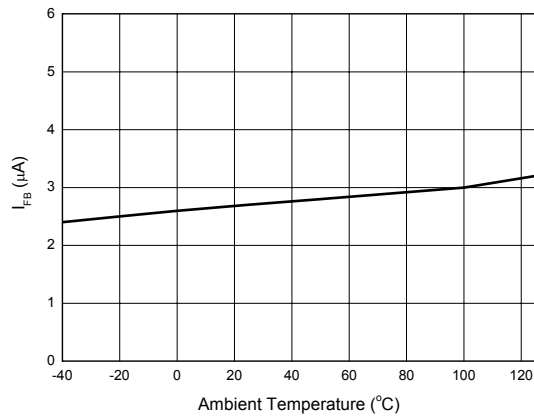


Figure 7. I_{FB} vs. Ambient Temperature

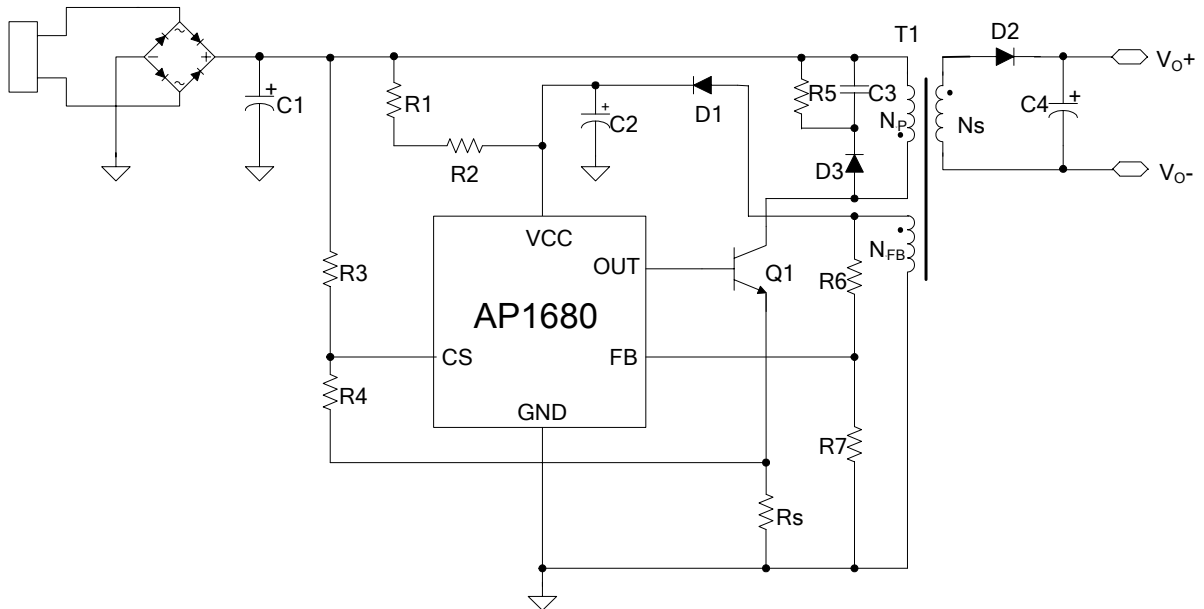
Typical Application


Figure 8. 16.5V/350mA Output for LED Driver

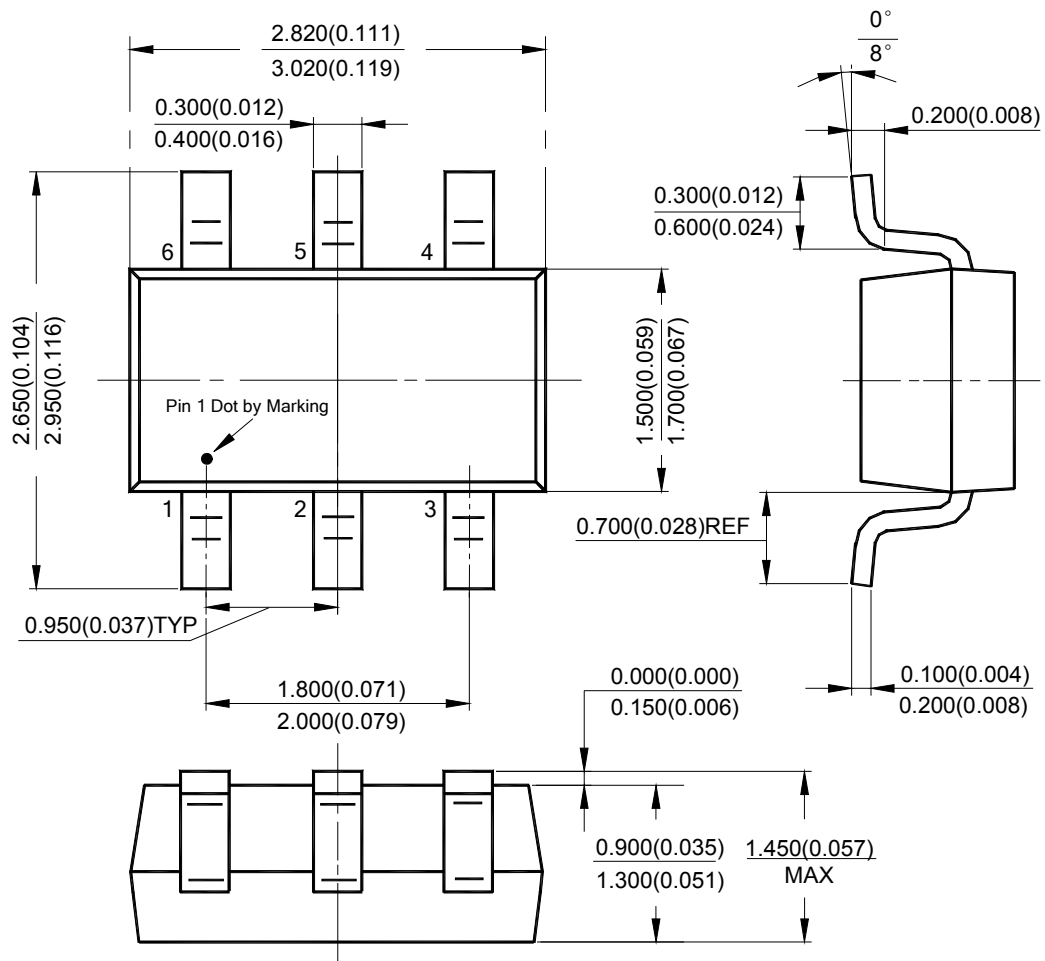


LOW-POWER OFF-LINE PRIMARY SIDE REGULATION CONTROLLER AP1680

Mechanical Dimensions

SOT-23-6

Unit: mm(inch)





BCD Semiconductor Manufacturing Limited

<http://www.bcdsemi.com>

IMPORTANT NOTICE

BCD Semiconductor Manufacturing Limited reserves the right to make changes without further notice to any products or specifications herein. BCD Semiconductor Manufacturing Limited does not assume any responsibility for use of any its products for any particular purpose, nor does BCD Semiconductor Manufacturing Limited assume any liability arising out of the application or use of any its products or circuits. BCD Semiconductor Manufacturing Limited does not convey any license under its patent rights or other rights nor the rights of others.

MAIN SITE

- Headquarters

BCD Semiconductor Manufacturing Limited

No. 1600, Zi Xing Road, Shanghai Zizhu Science-based Industrial Park, 200241, China
Tel: +86-21-24162266, Fax: +86-21-24162277

- Wafer Fab

Shanghai SIM-BCD Semiconductor Manufacturing Co., Ltd.

800 Yi Shan Road, Shanghai 200233, China
Tel: +86-21-6485 1491, Fax: +86-21-5450 0008

REGIONAL SALES OFFICE

Shenzhen Office

Shanghai SIM-BCD Semiconductor Manufacturing Co., Ltd., Shenzhen Office

Unit A Room 1203, Skyworth Bldg., Gaoxin Ave. 1.S., Nanshan District, Shenzhen, China
Tel: +86-755-8826 7951
Fax: +86-755-8826 7865

Taiwan Office

BCD Semiconductor (Taiwan) Company Limited

4F, 298-1, Rui Guang Road, Nei-Hu District, Taipei, Taiwan
Tel: +886-2-2656 2808
Fax: +886-2-2656 2806

USA Office

BCD Semiconductor Corp.

30920 Huntwood Ave. Hayward, CA 94544, USA
Tel : +1-510-324-2988
Fax: +1-510-324-2788