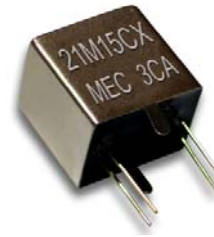


Dip Type 8 poles [U1 4 pcs]
13.4 * 8.5 * 11.0 mm



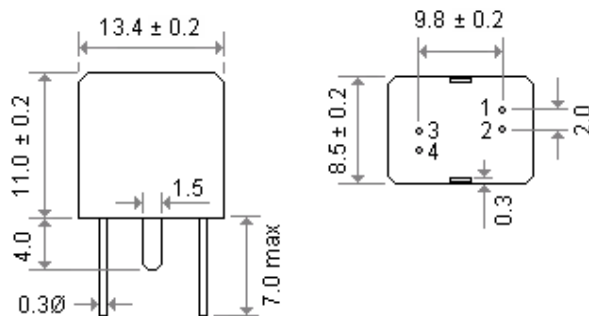
Features

- Suitable for business radio and other radio communications .

General Specifications

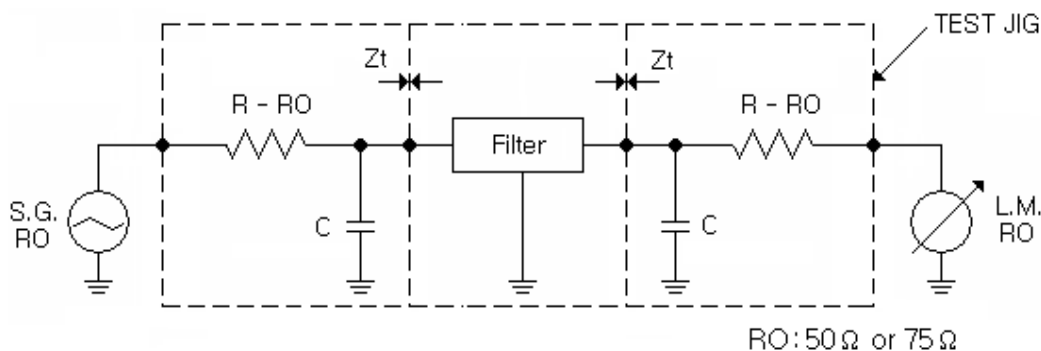
Parameters	Electrical Spec.
Center Frequency	21.400 MHz
Crystal Cut (No. of poles)	AT-Cut , 8 poles
Mode of Oscillation	Fundamental Mode
Pass Band Width	± 15 KHz (min.) [at -3 dB]
Stop Band Width	± 35 KHz (max.) [at -65 dB]
Ripple	2.0 dB (max.)
Insertion Loss	4.0 dB (max.)
Guaranteed Attenuation	90 dB (min.) [-910 ± 10 kHz]
Terminating Impdance	2200 Ω // 0.5 pF
Operating Temperature	- 20°C to 70°C
Storage Temperature	- 50°C to 100°C

Outline Dimensions (Unit : mm)



- Pin 1 : Output
- Pin 2 : Ground
- Pin 3 : Ground
- Pin 4 : Input

Test Cycle



Mercury www.mercury-crystal.com