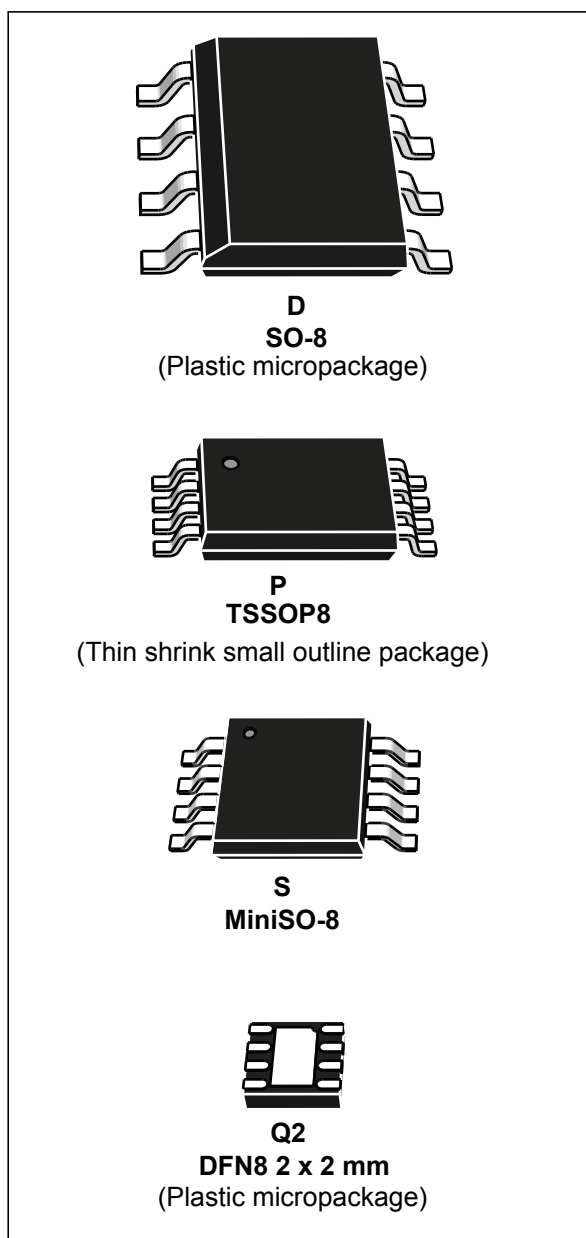


Low-power dual operational amplifier

Datasheet - production data



- Wide bandwidth (unity gain): 1.1 MHz (temperature compensated)
- Very low supply current/amplifier, essentially independent of supply voltage
- Low input bias current: 20 nA (temperature compensated)
- Low input offset current: 2 nA
- Input common-mode voltage range includes negative rail
- Differential input voltage range equal to the power supply voltage
- Large output voltage swing 0 V to ($V_{CC+} - 1.5$ V)

Related products:

- See LM2904W for enhanced ESD performances

Description

This circuit consists of two independent, high gain, internally frequency-compensated operational amplifiers designed specifically for automotive and industrial control systems. It operates from a single power supply over a wide range of voltages. The low power supply drain is independent of the magnitude of the power supply voltage.

Application areas include transducer amplifiers, DC gain blocks and all the conventional op-amp circuits which can now be more easily implemented in single power supply systems. For example, these circuits can be directly supplied from the standard +5 V which is used in logic systems and easily provides the required interface electronics without requiring any additional power supply.

In the linear mode, the input common-mode voltage range includes ground and the output voltage can also swing to ground, even though operated from a single power supply.

Features

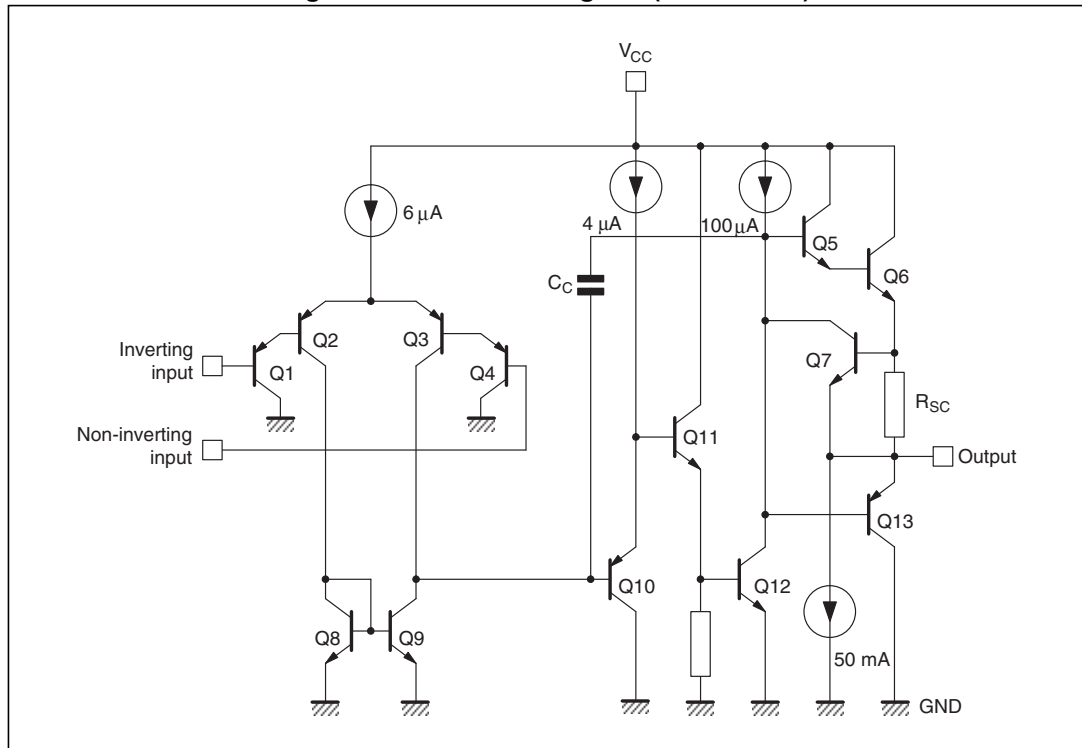
- Internally frequency-compensated
- Large DC voltage gain: 100 dB

Contents

1	Schematic diagram	3
2	Package pin connections	4
3	Absolute maximum ratings and operating conditions	5
4	Electrical characteristics	7
	4.1 Typical single-supply applications	12
5	Macromodel	14
6	Package information	15
	6.1 SO-8 package information	16
	6.2 DFN8 2 x 2 mm package mechanical data	17
	6.3 TSSOP8 package information	19
	6.4 MiniSO-8 package information	20
7	Ordering information	21
8	Revision history	22

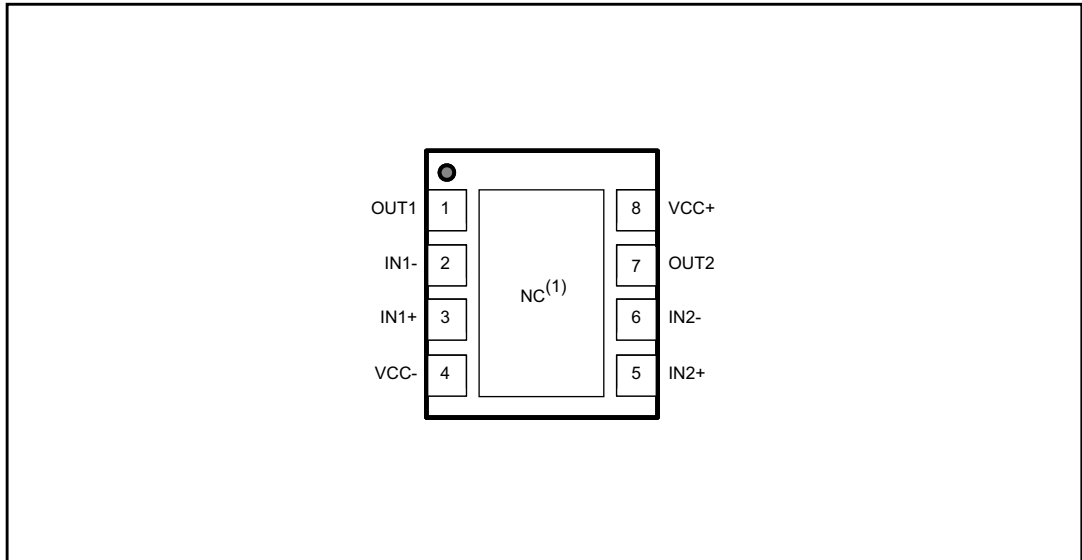
1 Schematic diagram

Figure 1. Schematic diagram (1/2 LM2904)



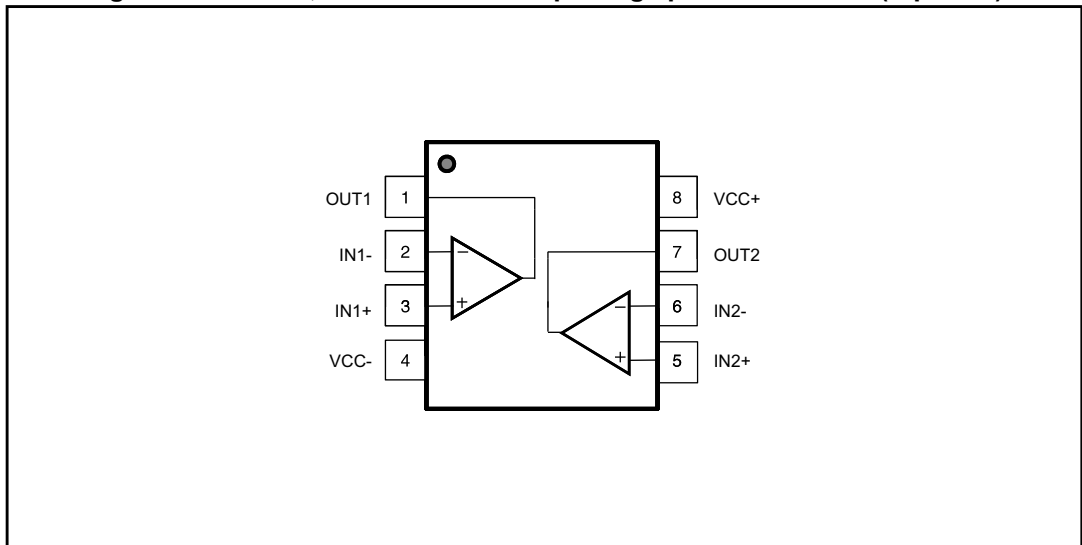
2 Package pin connections

Figure 2. DFN8 pin connections (top view)



1. The exposed pad of the DFN8 2x2 can be connected to VCC- or left floating.

Figure 3. MiniSO8, TSSOP8 and SO8 package pin connections (top view)



3 Absolute maximum ratings and operating conditions

Table 1. Absolute maximum ratings

Symbol	Parameter	Value	Unit
V_{CC}	Supply voltage ⁽¹⁾	± 16 or 32	V
V_{id}	Differential input voltage ⁽²⁾	± 32	V
V_{in}	Input voltage	-0.3 to 32	V
	Output short-circuit duration ⁽³⁾	Infinite	s
I_{in}	Input current ⁽⁴⁾ : V_{in} driven negative Input current ⁽⁵⁾ : V_{in} driven positive above AMR value	5 mA in DC or 50 mA in AC (duty cycle = 10%, T = 1s) 0.4	mA
T_{oper}	Operating free-air temperature range	-40 to +125	°C
T_{stg}	Storage temperature range	-65 to +150	°C
T_j	Maximum junction temperature	150	°C
R_{thja}	Thermal resistance junction to ambient ⁽⁶⁾ SO-8 TSSOP8 MiniSO-8 DFN8 2x2	125 120 190 57	°C/W
R_{thjc}	Thermal resistance junction to case ⁽⁶⁾ SO-8 TSSOP8 MiniSO-8	40 37 39	°C/W
ESD	HBM: human body model ⁽⁷⁾	300	V
	MM: machine model ⁽⁸⁾	200	V
	CDM: charged device model ⁽⁹⁾	1.5	kV

- All voltage values, except differential voltage are with respect to network ground terminal.
- Differential voltages are the non-inverting input terminal with respect to the inverting input terminal.
- Short-circuits from the output to V_{CC} can cause excessive heating if $V_{CC+} > 15$ V. The maximum output current is approximately 40 mA, independent of the magnitude of V_{CC} . Destructive dissipation can result from simultaneous short-circuits on all amplifiers.
- This input current only exists when the voltage at any of the input leads is driven negative. It is due to the collector-base junction of the input PNP transistor becoming forward-biased and thereby acting as input diode clamp. In addition to this diode action, there is NPN parasitic action on the IC chip. This transistor action can cause the output voltages of the Op-amps to go to the V_{CC} voltage level (or to ground for a large overdrive) for the time during which an input is driven negative. This is not destructive and normal output is restored for input voltages above -0.3 V.
- The junction base/substrate of the input PNP transistor polarized in reverse must be protected by a resistor in series with the inputs to limit the input current to 400 μ A max ($R = (V_{in}-32 \text{ V})/400 \mu\text{A}$).
- Short-circuits can cause excessive heating and destructive dissipation. Values are typical.
- Human body model: a 100 pF capacitor is charged to the specified voltage, then discharged through a 1.5 kW resistor between two pins of the device. This is done for all couples of connected pin combinations while the other pins are floating.
- Machine model: a 200 pF capacitor is charged to the specified voltage, then discharged directly between two pins of the device with no external series resistor (internal resistor < 5 W). This is done for all couples of connected pin combinations while the other pins are floating.
- Charged device model: all pins and the package are charged together to the specified voltage and then discharged directly to the ground through only one pin. This is done for all pins.

Table 2. Operating conditions

Symbol	Parameter	Value	Unit
V_{CC}	Supply voltage	3 to 30	V
V_{icm}	Common mode input voltage range	0 to $V_{CC+} - 1.5$	V
T_{oper}	Operating free-air temperature range	-40 to +125	°C

4 Electrical characteristics

**Table 3. $V_{CC+} = 5\text{ V}$, $V_{CC-} = \text{ground}$, $V_O = 1.4\text{ V}$, $T_{\text{amb}} = 25^\circ\text{ C}$
(unless otherwise specified)**

Symbol	Parameter	Min.	Typ.	Max.	Unit
V_{io}	Input offset voltage ⁽¹⁾				
	$T_{\text{amb}} = 25^\circ\text{ C}$ LM2904		2	7	mV
	$T_{\text{amb}} = 25^\circ\text{ C}$ LM2904A		1	2	
	$T_{\text{min}} \leq T_{\text{amb}} \leq T_{\text{max}}$ LM2904			9	
$T_{\text{min}} \leq T_{\text{amb}} \leq T_{\text{max}}$ LM2904A			4		
$\Delta V_{io}/\Delta T$	Input offset voltage drift		7	30	$\mu\text{V}/^\circ\text{C}$
I_{io}	Input offset current				nA
	$T_{\text{amb}} = 25^\circ\text{ C}$ $T_{\text{min}} \leq T_{\text{amb}} \leq T_{\text{max}}$		2	30 40	
$\Delta I_{io}/\Delta T$	Input offset current drift		10	300	$\text{pA}/^\circ\text{C}$
I_{ib}	Input bias current ⁽²⁾				nA
	$T_{\text{amb}} = 25^\circ\text{ C}$ $T_{\text{min}} \leq T_{\text{amb}} \leq T_{\text{max}}$		20	150 200	
A_{vd}	Large signal voltage gain				V/mV
	$V_{CC+} = +15\text{ V}$, $R_L = 2\text{ k}\Omega$, $V_O = 1.4\text{ V}$ to 11.4 V				
	$T_{\text{amb}} = 25^\circ\text{ C}$ $T_{\text{min}} \leq T_{\text{amb}} \leq T_{\text{max}}$	50 25	100		
SVR	Supply voltage rejection ratio ($R_S \leq 10\text{ k}\Omega$)				dB
	$T_{\text{amb}} = 25^\circ\text{ C}$ $T_{\text{min}} \leq T_{\text{amb}} \leq T_{\text{max}}$	65 65	100		
I_{CC}	Supply current, all amp, no load				mA
	$T_{\text{amb}} = 25^\circ\text{ C}$, $V_{CC+} = +5\text{ V}$ $T_{\text{min}} \leq T_{\text{amb}} \leq T_{\text{max}}$, $V_{CC+} = +30\text{ V}$		0.7	1.2 2	
V_{icm}	Input common mode voltage range ($V_{CC+} = +30\text{ V}$) ⁽³⁾				V
	$T_{\text{amb}} = 25^\circ\text{ C}$ $T_{\text{min}} \leq T_{\text{amb}} \leq T_{\text{max}}$	0 0		$V_{CC+} - 1.5$ $V_{CC+} - 2$	
CMR	Common-mode rejection ratio ($R_S = 10\text{ k}\Omega$)				dB
	$T_{\text{amb}} = 25^\circ\text{ C}$ $T_{\text{min}} \leq T_{\text{amb}} \leq T_{\text{max}}$	70 60	85		
I_{source}	Output short-circuit current $V_{CC+} = +15\text{ V}$, $V_O = +2\text{ V}$, $V_{id} = +1\text{ V}$	20	40	60	mA
I_{sink}	Output sink current				mA μA
	$V_O = 2\text{ V}$, $V_{CC+} = +5\text{ V}$ $V_O = +0.2\text{ V}$, $V_{CC+} = +15\text{ V}$	10 12	20 50		
V_{OH}	High level output voltage ($V_{CC+} = +30\text{ V}$)				V
	$T_{\text{amb}} = +25^\circ\text{ C}$, $R_L = 2\text{ k}\Omega$	26			
	$T_{\text{min}} \leq T_{\text{amb}} \leq T_{\text{max}}$	26	27		
	$T_{\text{amb}} = +25^\circ\text{ C}$, $R_L = 10\text{ k}\Omega$	27			
	$T_{\text{min}} \leq T_{\text{amb}} \leq T_{\text{max}}$	27	28		

**Table 3. $V_{CC+} = 5\text{ V}$, $V_{CC-} = \text{ground}$, $V_O = 1.4\text{ V}$, $T_{\text{amb}} = 25^\circ\text{ C}$
(unless otherwise specified) (continued)**

Symbol	Parameter	Min.	Typ.	Max.	Unit
V_{OL}	Low level output voltage ($R_L = 10\text{ k}\Omega$) $T_{\text{amb}} = +25^\circ\text{ C}$ $T_{\text{min}} \leq T_{\text{amb}} \leq T_{\text{max}}$		5	20 20	
SR	Slew rate $V_{CC+} = 15\text{ V}$, $V_{\text{in}} = 0.5\text{ to }3\text{ V}$, $R_L = 2\text{ k}\Omega$, $C_L = 100\text{ pF}$, unity gain $T_{\text{min}} \leq T_{\text{amb}} \leq T_{\text{max}}$	0.3 0.2	0.6		
GBP	Gain bandwidth product $f = 100\text{ kHz}$ $V_{CC+} = 30\text{ V}$, $V_{\text{in}} = 10\text{ mV}$, $R_L = 2\text{ k}\Omega$, $C_L = 100\text{ pF}$	0.7	1.1		MHz
THD	Total harmonic distortion $f = 1\text{ kHz}$, $A_V = 20\text{ dB}$, $R_L = 2\text{ k}\Omega$, $V_O = 2\text{ V}_{pp}$, $C_L = 100\text{ pF}$, $V_{CC+} = 30\text{ V}$		0.02		%
e_n	Equivalent input noise voltage $f = 1\text{ kHz}$, $R_S = 100\ \Omega$, $V_{CC+} = 30\text{ V}$		55		$\text{nV}/\sqrt{\text{Hz}}$
V_{O1}/V_{O2}	Channel separation ⁽⁴⁾ $1\text{ kHz} \leq f \leq 20\text{ kHz}$		120		dB

- $V_O = 1.4\text{ V}$, $R_S = 0\ \Omega$, $5\text{ V} < V_{CC+} < 30\text{ V}$, $0\text{ V} < V_{ic} < V_{CC+} - 1.5\text{ V}$.
- The direction of the input current is out of the IC. This current is essentially constant, independent of the state of the output, so there is no change in the loading charge on the input lines.
- The input common-mode voltage of either input signal voltage should not be allowed to go negative by more than 0.3 V. The upper end of the common-mode voltage range is $V_{CC+} - 1.5\text{ V}$, but either or both inputs can go to +32 V without damage.
- Due to the proximity of external components, ensure that the stray capacitance does not cause coupling between these external parts. This can typically be detected at higher frequencies because this type of capacitance increases.

Figure 4. Open-loop frequency response

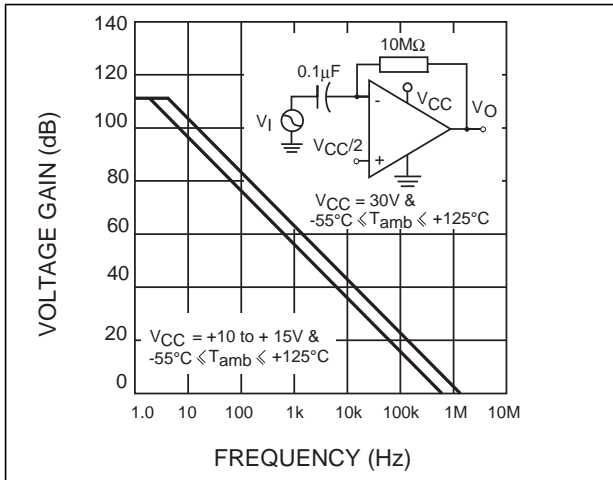


Figure 5. Large signal frequency response

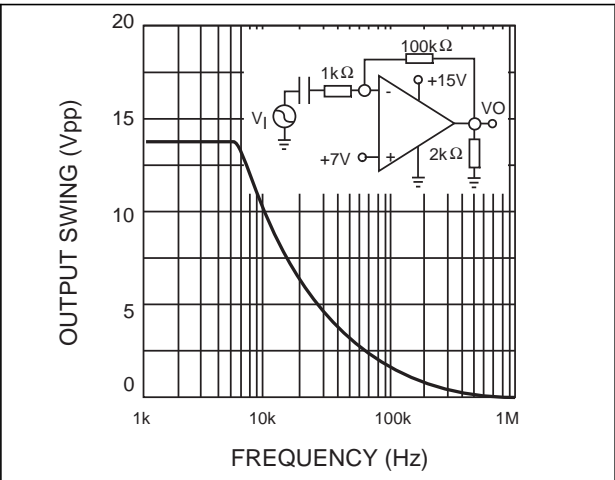


Figure 6. Voltage follower large signal response Figure 7. Current sinking output characteristics

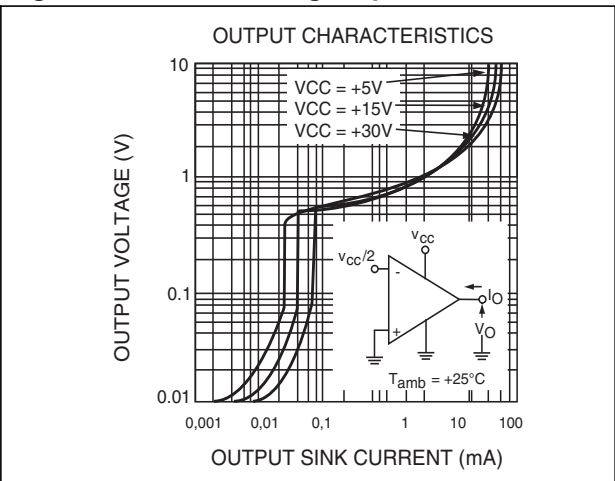
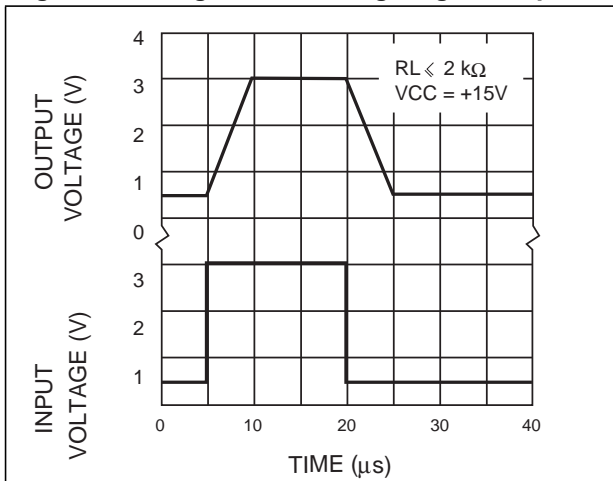


Figure 8. Voltage follower small signal response

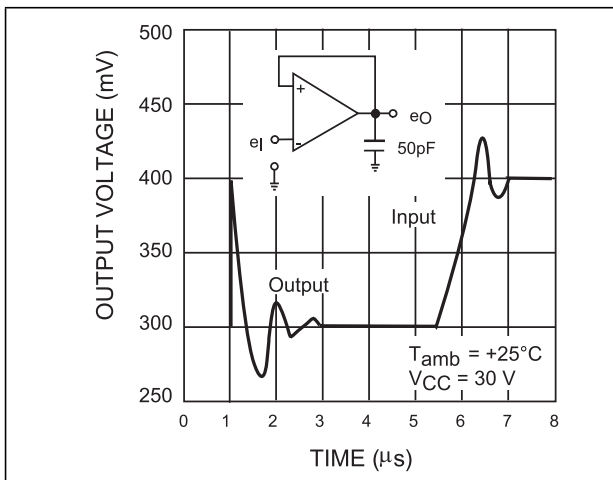


Figure 9. Current sourcing output characteristics

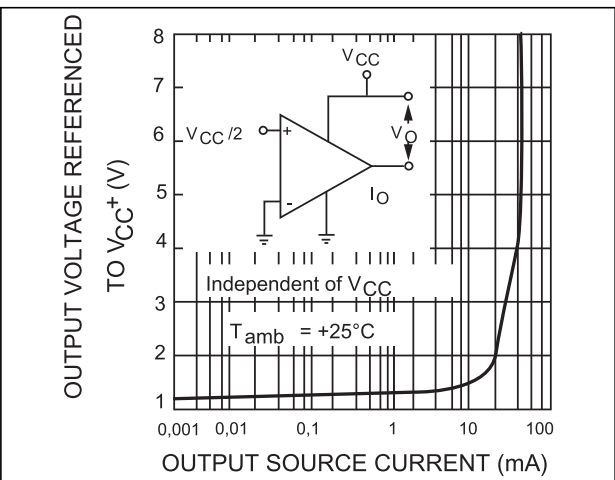


Figure 10. Input current versus temperature

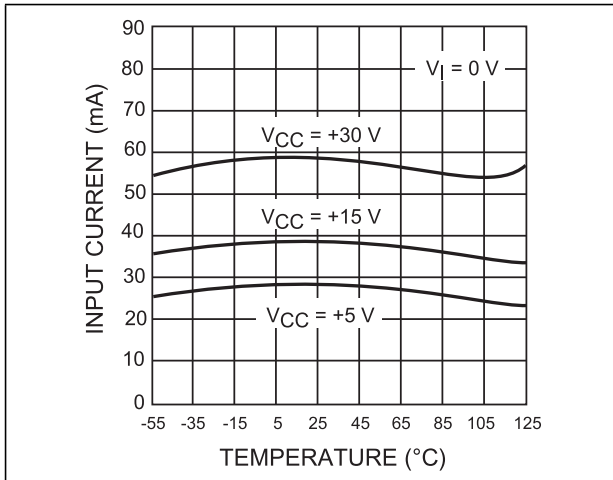


Figure 11. Current limiting

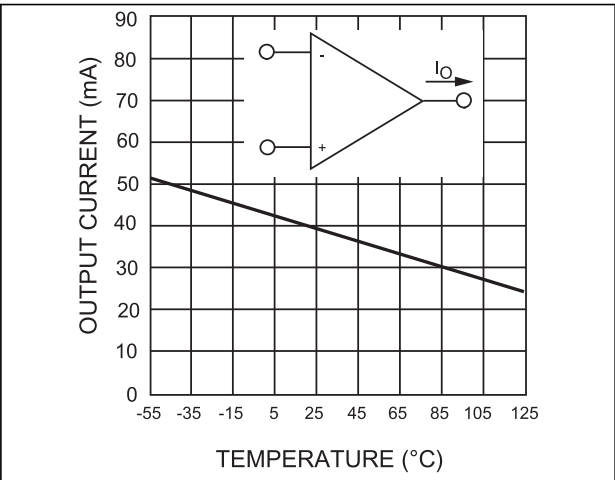


Figure 12. Input voltage range

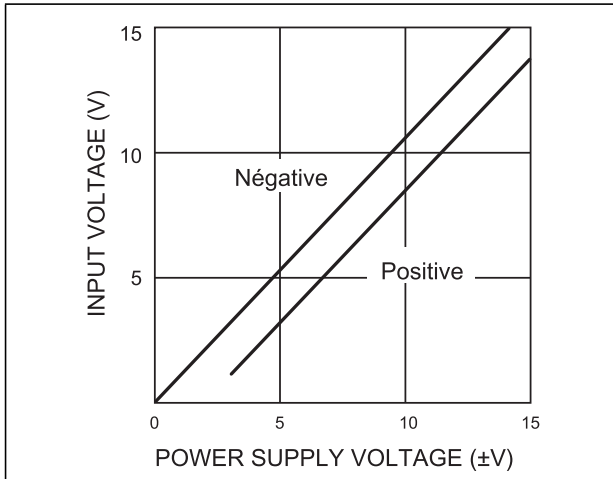


Figure 13. Supply current

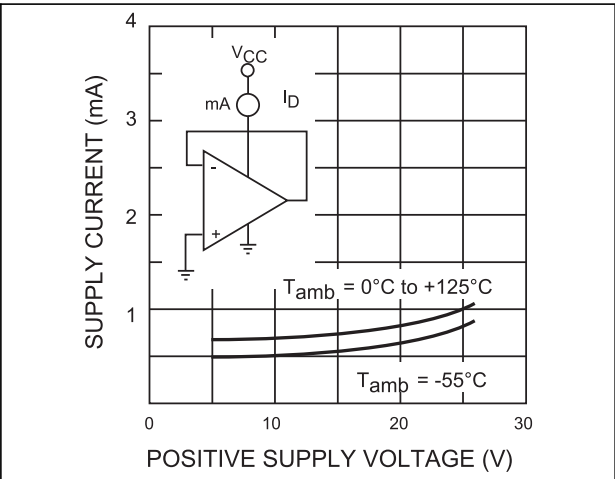


Figure 14. Voltage gain

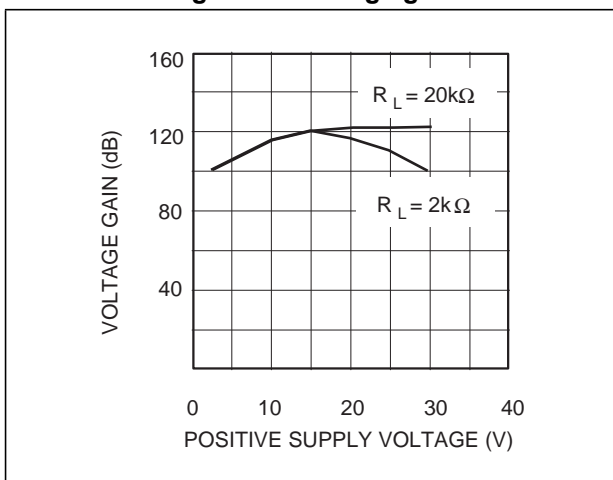


Figure 15. Input current versus supply voltage

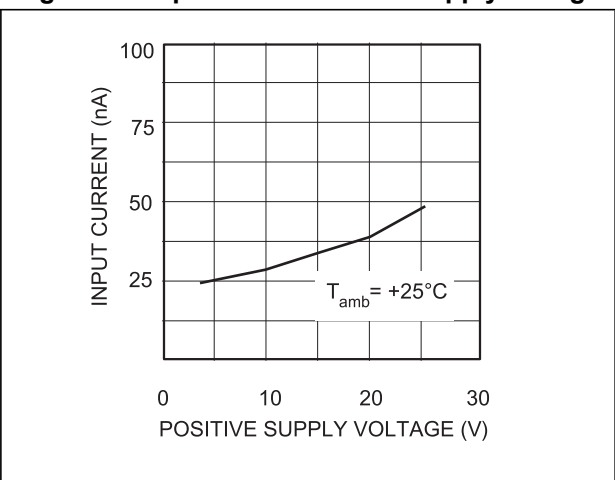


Figure 16. Gain bandwidth product

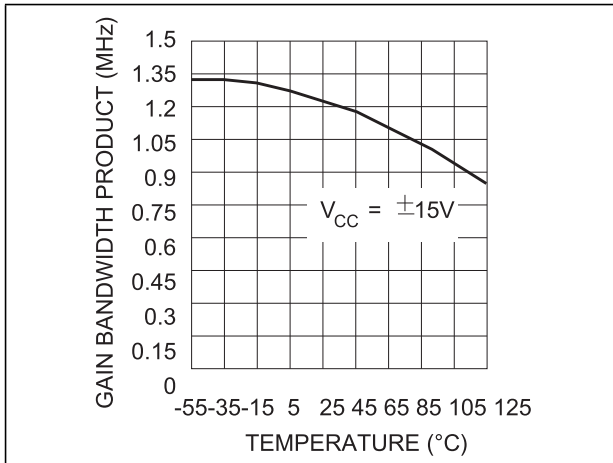


Figure 17. Power supply rejection ratio

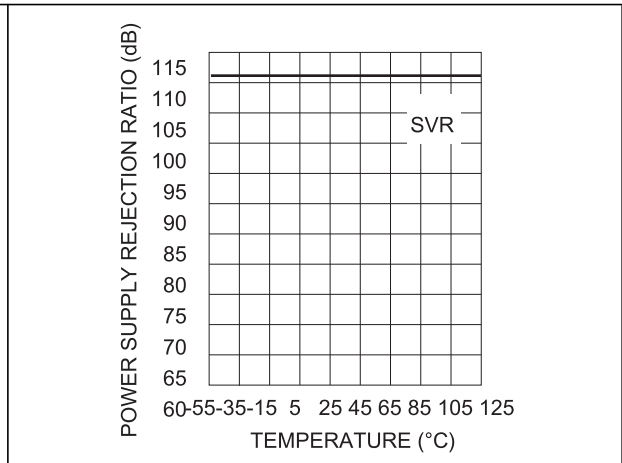


Figure 18. Common-mode rejection ratio

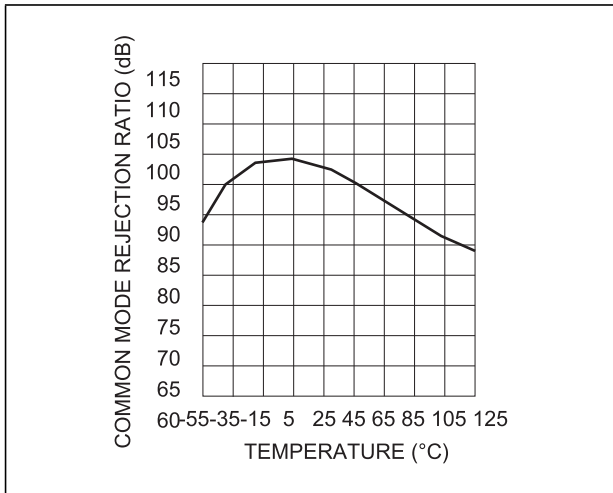
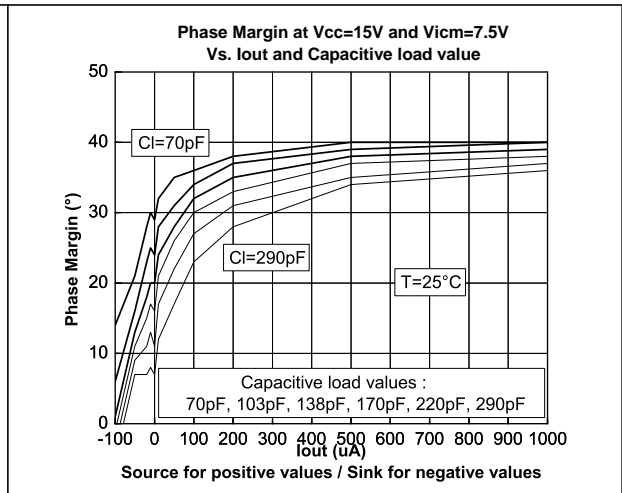


Figure 19. Phase margin vs capacitive load



4.1 Typical single-supply applications

Figure 20. AC coupled inverting amplifier

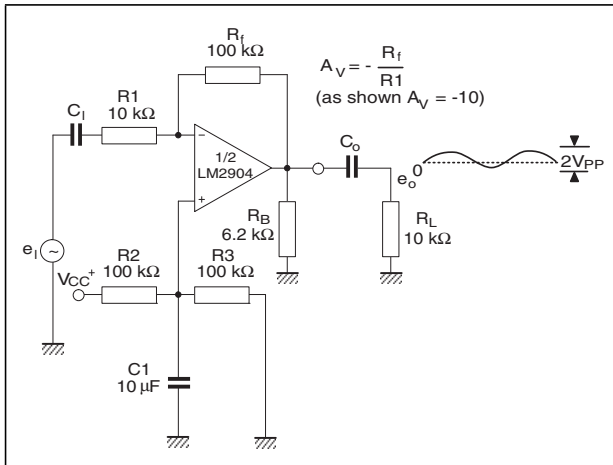


Figure 21. AC coupled non-inverting amplifier

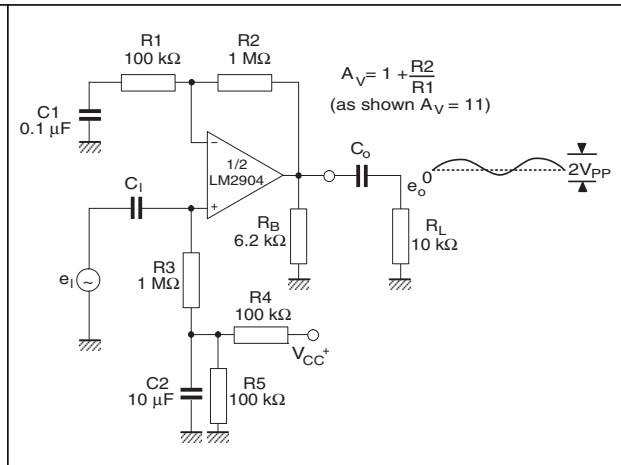


Figure 22. Non-inverting DC gain

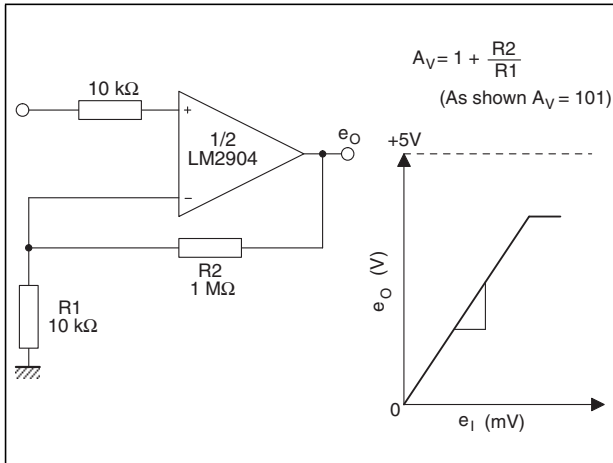


Figure 23. DC summing amplifier

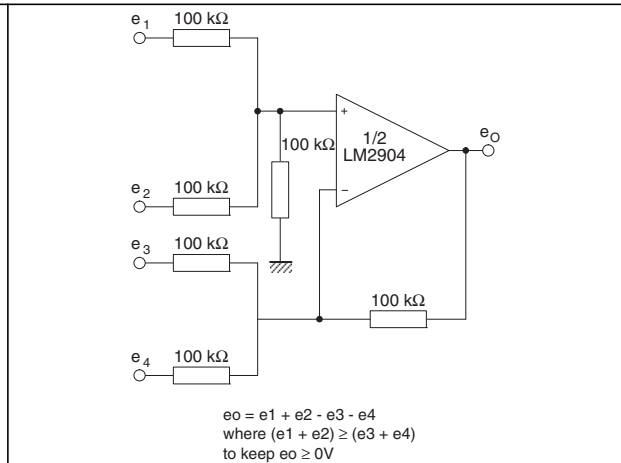


Figure 24. High input Z, DC differential amplifier

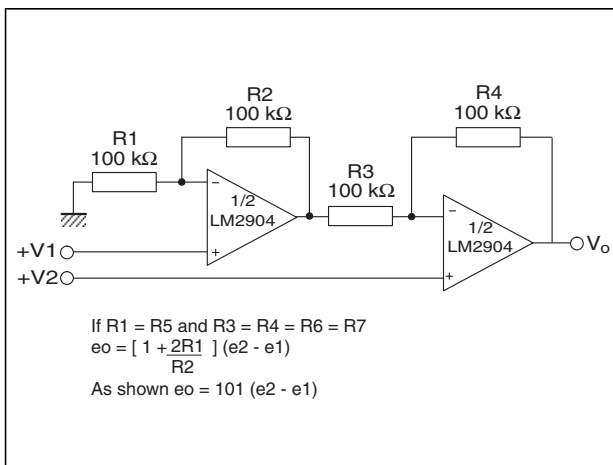


Figure 25. Using symmetrical amplifiers to reduce input current

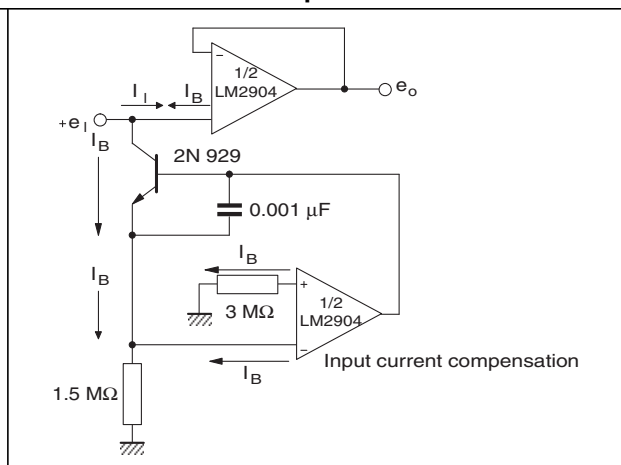


Table 4. Low drift peak detector

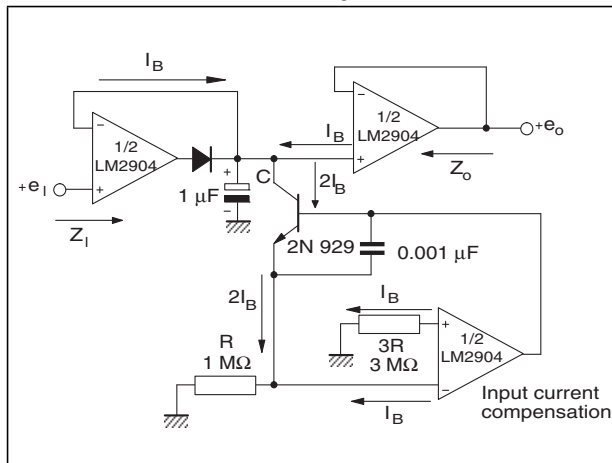
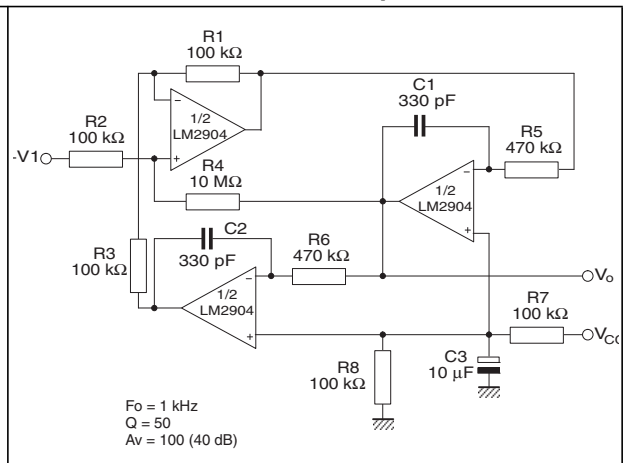


Table 5. Active bandpass filter



5 Macromodel

An accurate macromodel of the LM2904 is available on STMicroelectronics' web site at www.st.com. This model is a trade-off between accuracy and complexity (that is, time simulation) of the LM2904 operational amplifier. It emulates the nominal performances of a typical device within the specified operating conditions mentioned in the datasheet. It also helps to validate a design approach and to select the right operational amplifier, *but it does not replace on-board measurements*.

6 Package information

In order to meet environmental requirements, ST offers these devices in different grades of ECOPACK[®] packages, depending on their level of environmental compliance. ECOPACK[®] specifications, grade definitions and product status are available at: www.st.com. ECOPACK[®] is an ST trademark.

6.1 SO-8 package information

Figure 26. SO-8 package mechanical drawing

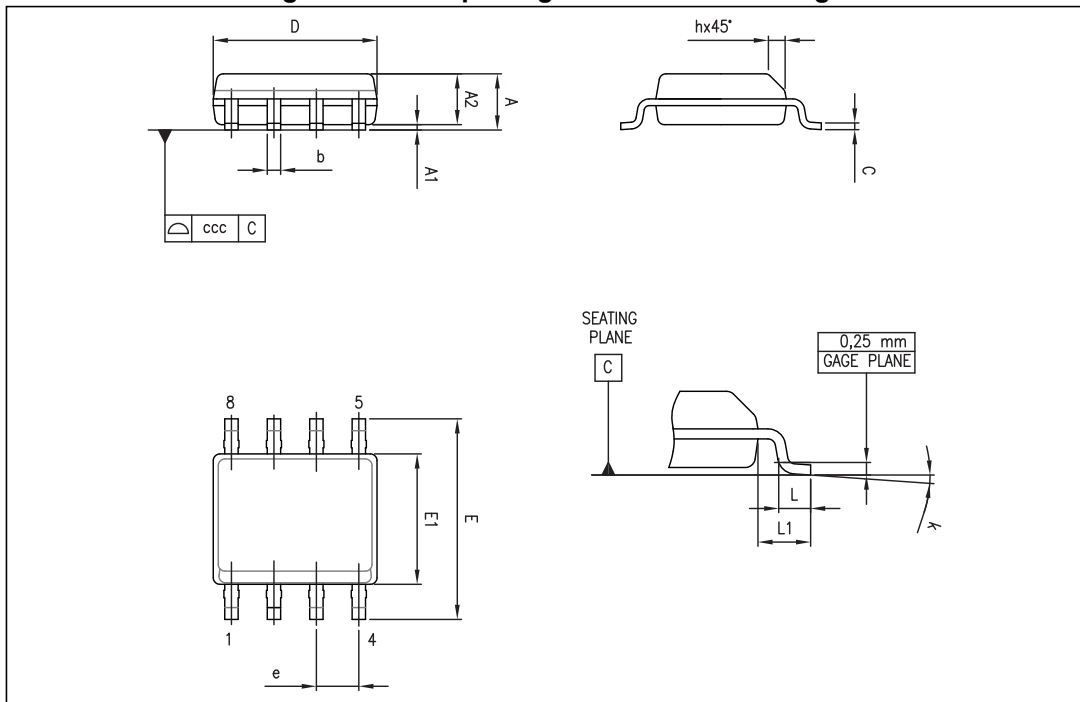


Table 6. SO-8 package mechanical data

Ref.	Dimensions					
	Millimeters			Inches		
	Min.	Typ.	Max.	Min.	Typ.	Max.
A			1.75			0.069
A1	0.10		0.25	0.004		0.010
A2	1.25			0.049		
b	0.28		0.48	0.011		0.019
c	0.17		0.23	0.007		0.010
D	4.80	4.90	5.00	0.189	0.193	0.197
E	5.80	6.00	6.20	0.228	0.236	0.244
E1	3.80	3.90	4.00	0.150	0.154	0.157
e		1.27			0.050	
h	0.25		0.50	0.010		0.020
L	0.40		1.27	0.016		0.050
L1		1.04			0.040	
k	1°		8°	1°		8°
ccc			0.10			0.004

6.2 DFN8 2 x 2 mm package mechanical data

Figure 27. DFN8 2 x 2 mm package mechanical drawing

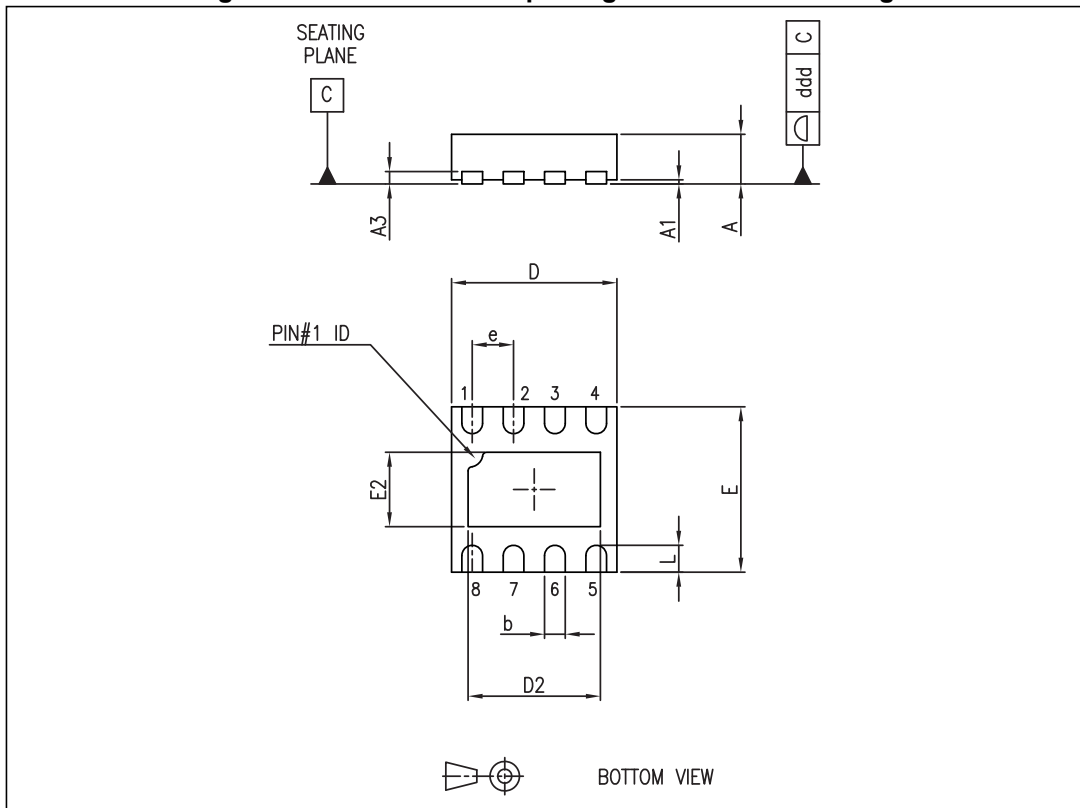
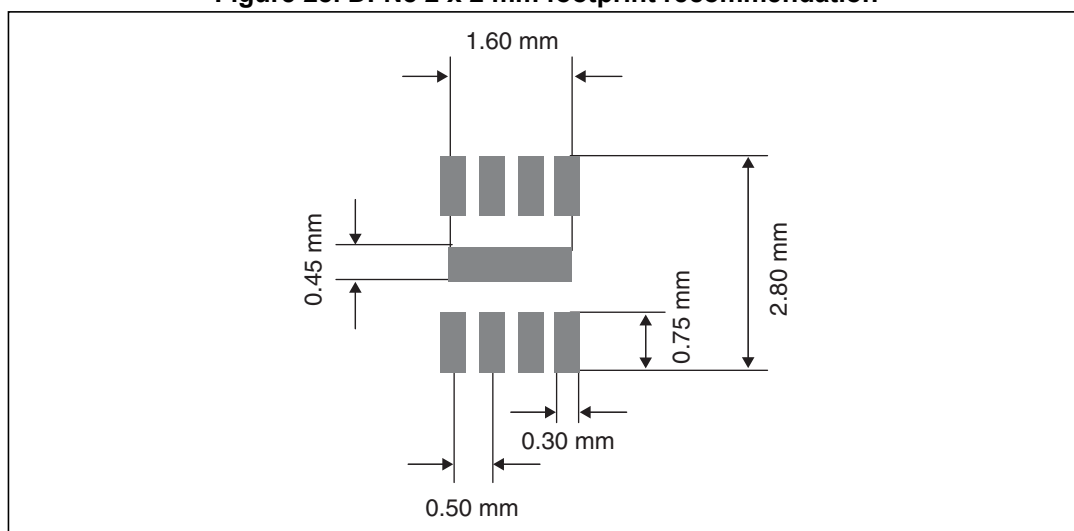


Table 7. DFN8 2 x 2 mm package mechanical data (pitch 0.5 mm)

Ref.	Dimensions					
	Millimeters			Inches		
	Min.	Typ.	Max.	Min.	Typ.	Max.
A	0.51	0.55	0.60	0.020	0.022	0.024
A1			0.05			0.002
A3		0.15			0.006	
b	0.18	0.25	0.30	0.007	0.010	0.012
D	1.85	2.00	2.15	0.073	0.079	0.085
D2	1.45	1.60	1.70	0.057	0.063	0.067
E	1.85	2.00	2.15	0.073	0.079	0.085
E2	0.75	0.90	1.00	0.030	0.035	0.039
e		0.50			0.020	
L			0.50			0.020
ddd			0.08			0.003

Figure 28. DFN8 2 x 2 mm footprint recommendation



6.3 TSSOP8 package information

Figure 29. TSSOP8 package mechanical drawing

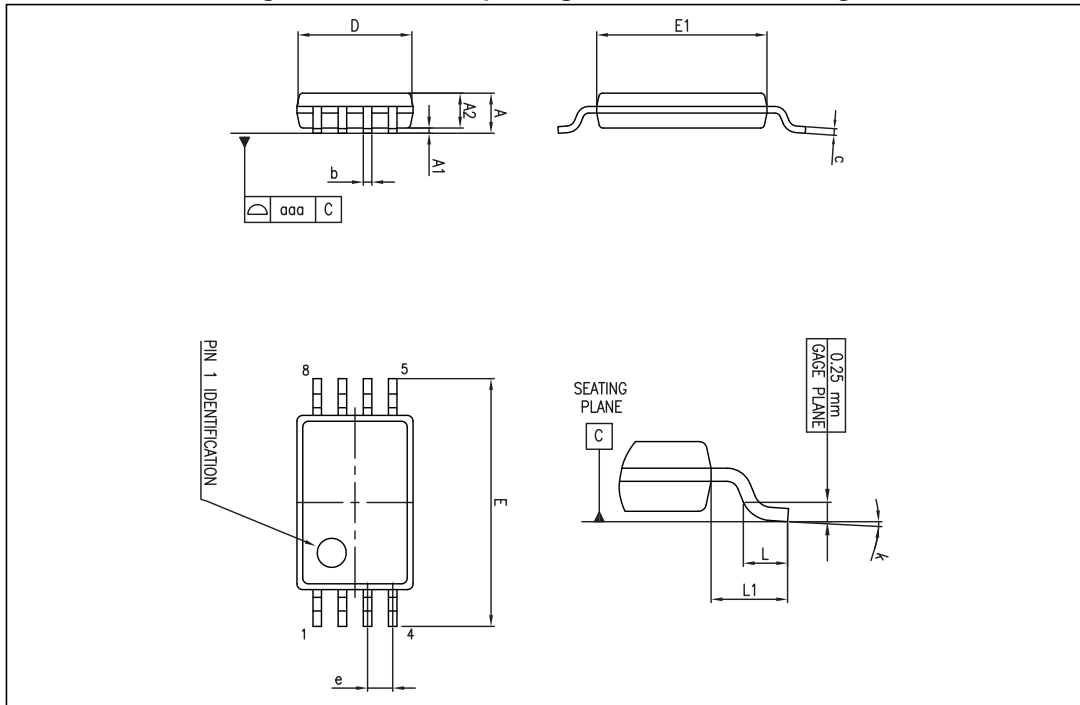


Figure 30. TSSOP8 package mechanical data

Ref.	Dimensions					
	Millimeters			Inches		
	Min.	Typ.	Max.	Min.	Typ.	Max.
A			1.20			0.047
A1	0.05		0.15	0.002		0.006
A2	0.80	1.00	1.05	0.031	0.039	0.041
b	0.19		0.30	0.007		0.012
c	0.09		0.20	0.004		0.008
D	2.90	3.00	3.10	0.114	0.118	0.122
E	6.20	6.40	6.60	0.244	0.252	0.260
E1	4.30	4.40	4.50	0.169	0.173	0.177
e		0.65			0.0256	
k	0°		8°	0°		8°
L	0.45	0.60	0.75	0.018	0.024	0.030
L1		1			0.039	
aaa			0.10			0.004

6.4 MiniSO-8 package information

Figure 31. MiniSO-8 package mechanical drawing

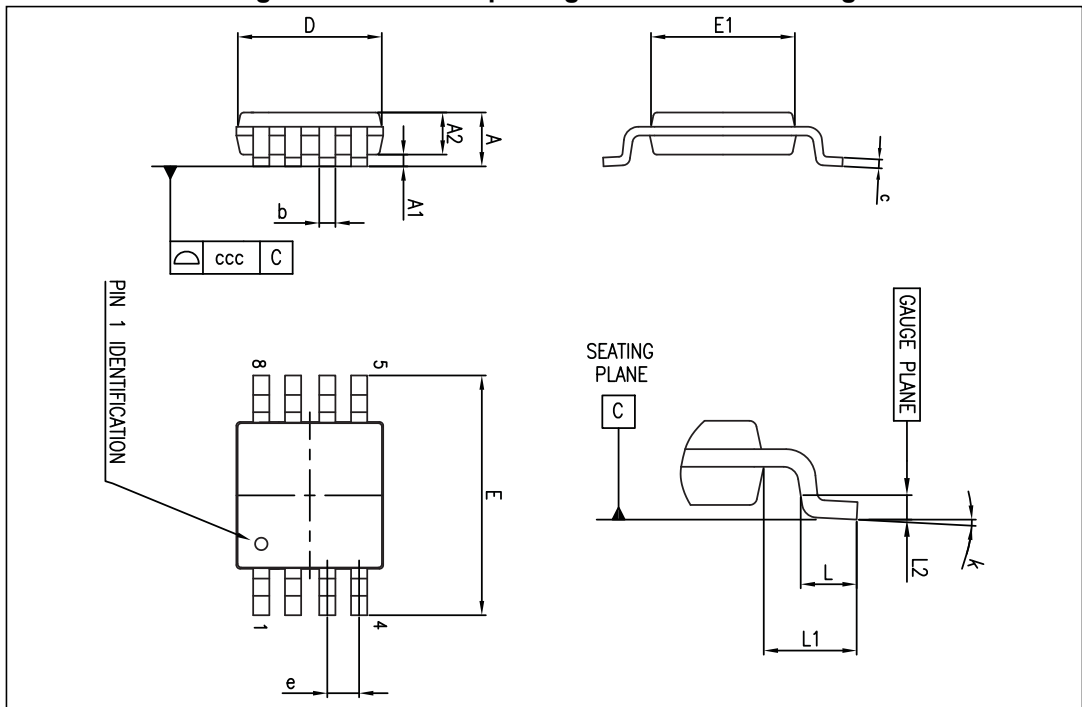


Table 8. MiniSO-8 package mechanical data

Ref.	Dimensions					
	Millimeters			Inches		
	Min.	Typ.	Max.	Min.	Typ.	Max.
A			1.1			0.043
A1	0		0.15	0		0.006
A2	0.75	0.85	0.95	0.030	0.033	0.037
b	0.22		0.40	0.009		0.016
c	0.08		0.23	0.003		0.009
D	2.80	3.00	3.20	0.11	0.118	0.126
E	4.65	4.90	5.15	0.183	0.193	0.203
E1	2.80	3.00	3.10	0.11	0.118	0.122
e		0.65			0.026	
L	0.40	0.60	0.80	0.016	0.024	0.031
L1		0.95			0.037	
L2		0.25			0.010	
k	0°		8°	0°		8°
ccc			0.10			0.004

7 Ordering information

Table 9. Order codes

Order code	Temperature range	Package	Packing	Marking
LM2904D/DT	-40° C to +125° C	SO-8	Tube or tape & reel	2904
LM2904PT		TSSOP8 (thin shrink outline package)	Tape & reel	
LM2904ST		MiniSO-8	Tape & reel	K403
LM2904Q2T		DFN8 2 x 2	Tape & reel	K1Y
LM2904YDT ⁽¹⁾		SO-8 (automotive grade level)	Tape & reel	2904Y
LM2904AYDT ⁽¹⁾				2904AY
LM2904YPT ⁽²⁾		TSSOP8 (automotive grade level)	Tape & reel	2904Y
LM2904AYPT ⁽²⁾				904AY
LM2904YST ⁽¹⁾		MiniSO-8 (automotive grade level)	Tape & reel	K409

1. Qualified and characterized according to AEC Q100 and Q003 or equivalent, advanced screening according to AEC Q001 & Q 002 or equivalent.
2. Qualification and characterization according to AEC Q100 and Q003 or equivalent, advanced screening according to AEC Q001 & Q 002 or equivalent are on-going.

8 Revision history

Table 10. Document revision history

Date	Revision	Changes
02-Jan-2002	1	Initial release.
20-Jun-2005	2	PPAP references inserted in the datasheet, see Table 9 on page 21 . ESD protection inserted in Table 1 on page 5 .
10-Oct-2005	3	PPAP part numbers added in table Table 9 on page 21 .
12-Dec-2005	4	Pin connections identification added on cover page figure. Thermal resistance junction to case information added see Table 1 on page 5 .
01-Feb-2006	5	Maximum junction temperature parameter added in Table 1 on page 5 .
02-May-2006	6	Minimum slew rate parameter in temperature Table 3 on page 7 .
13-Jul-2006	7	Modified ESD values and added explanation on V_{CC} , V_{id} in Table 1 on page 5 . Added macromodel information.
28-Feb-2007	8	Modified ESD/HBM values in Table 1 on page 5 . Updated MiniSO-8 package information. Added note relative to automotive grade level part numbers in Table 9 on page 21 .
18-Jun-2007	9	Power dissipation value corrected in Table 1: Absolute maximum ratings . Table 2: Operating conditions added. Equivalent input noise voltage parameter added in Table 3 . Electrical characteristics curves updated. Figure 19: Phase margin vs capacitive load added. Section 6: Package information updated.
18-Dec-2007	10	Removed power dissipation parameter from Table 1: Absolute maximum ratings . Removed V_{opp} from electrical characteristics in Table 3 . Corrected MiniSO-8 package mechanical data in Section 6.4: MiniSO-8 package information .
08-Apr-2008	11	Added table of contents. Corrected the scale of Figure 7 (mA not μ A). Corrected SO-8 package information.
02-Jun-2009	12	Added input current information in Table 1: Absolute maximum ratings . Added L1 parameters in Table 6: SO-8 package mechanical data . Added new order codes, LM2904AYD/DT, LM2904AYPT and LM2904AYST in Table 9: Order codes .
13-Apr-2010	13	Added LM2904A on cover page. Corrected footnote (5) in Table 1: Absolute maximum ratings . Removed order code LM2904AYST from Table 9: Order codes .

Table 10. Document revision history (continued)

Date	Revision	Changes
24-Jan-2012	14	<p>Removed macromodel from Chapter 5 (now available on www.st.com).</p> <p>Added DFN8 2 x 2 mm package information in Chapter 6 and related order codes in Chapter 7.</p> <p>Removed LM2904YD and LM2904AYD order codes from Table 9.</p> <p>Changed note for LM2904YST order code in Table 9.</p>
24-Jan-2014	15	<p>Updated: marking info for LM2904AYPT, package silhouette drawings in the cover page, $\Delta V_{iQ}/\Delta T$ and $\Delta I_{iQ}/\Delta T$ symbols in Table 3 on page 7</p> <p>Added: ESD info in Features section and Section 2: Package pin connections</p> <p>Removed: LM2904N from Table 9: Order codes.</p>

Please Read Carefully:

Information in this document is provided solely in connection with ST products. STMicroelectronics NV and its subsidiaries ("ST") reserve the right to make changes, corrections, modifications or improvements, to this document, and the products and services described herein at any time, without notice.

All ST products are sold pursuant to ST's terms and conditions of sale.

Purchasers are solely responsible for the choice, selection and use of the ST products and services described herein, and ST assumes no liability whatsoever relating to the choice, selection or use of the ST products and services described herein.

No license, express or implied, by estoppel or otherwise, to any intellectual property rights is granted under this document. If any part of this document refers to any third party products or services it shall not be deemed a license grant by ST for the use of such third party products or services, or any intellectual property contained therein or considered as a warranty covering the use in any manner whatsoever of such third party products or services or any intellectual property contained therein.

UNLESS OTHERWISE SET FORTH IN ST'S TERMS AND CONDITIONS OF SALE ST DISCLAIMS ANY EXPRESS OR IMPLIED WARRANTY WITH RESPECT TO THE USE AND/OR SALE OF ST PRODUCTS INCLUDING WITHOUT LIMITATION IMPLIED WARRANTIES OF MERCHANTABILITY, FITNESS FOR A PARTICULAR PURPOSE (AND THEIR EQUIVALENTS UNDER THE LAWS OF ANY JURISDICTION), OR INFRINGEMENT OF ANY PATENT, COPYRIGHT OR OTHER INTELLECTUAL PROPERTY RIGHT.

ST PRODUCTS ARE NOT DESIGNED OR AUTHORIZED FOR USE IN: (A) SAFETY CRITICAL APPLICATIONS SUCH AS LIFE SUPPORTING, ACTIVE IMPLANTED DEVICES OR SYSTEMS WITH PRODUCT FUNCTIONAL SAFETY REQUIREMENTS; (B) AERONAUTIC APPLICATIONS; (C) AUTOMOTIVE APPLICATIONS OR ENVIRONMENTS, AND/OR (D) AEROSPACE APPLICATIONS OR ENVIRONMENTS. WHERE ST PRODUCTS ARE NOT DESIGNED FOR SUCH USE, THE PURCHASER SHALL USE PRODUCTS AT PURCHASER'S SOLE RISK, EVEN IF ST HAS BEEN INFORMED IN WRITING OF SUCH USAGE, UNLESS A PRODUCT IS EXPRESSLY DESIGNATED BY ST AS BEING INTENDED FOR "AUTOMOTIVE, AUTOMOTIVE SAFETY OR MEDICAL" INDUSTRY DOMAINS ACCORDING TO ST PRODUCT DESIGN SPECIFICATIONS. PRODUCTS FORMALLY ESCC, QML OR JAN QUALIFIED ARE DEEMED SUITABLE FOR USE IN AEROSPACE BY THE CORRESPONDING GOVERNMENTAL AGENCY.

Resale of ST products with provisions different from the statements and/or technical features set forth in this document shall immediately void any warranty granted by ST for the ST product or service described herein and shall not create or extend in any manner whatsoever, any liability of ST.

ST and the ST logo are trademarks or registered trademarks of ST in various countries.

Information in this document supersedes and replaces all information previously supplied.

The ST logo is a registered trademark of STMicroelectronics. All other names are the property of their respective owners.

© 2014 STMicroelectronics - All rights reserved

STMicroelectronics group of companies

Australia - Belgium - Brazil - Canada - China - Czech Republic - Finland - France - Germany - Hong Kong - India - Israel - Italy - Japan - Malaysia - Malta - Morocco - Philippines - Singapore - Spain - Sweden - Switzerland - United Kingdom - United States of America

www.st.com