

## TO-263-2L Plastic-Encapsulate MOSFETS

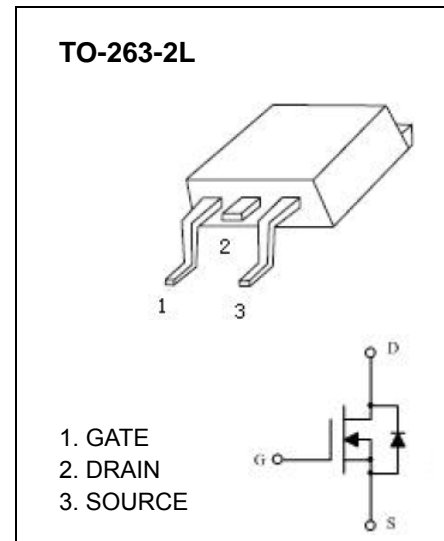
### CJB02N65 N-Channel Power MOSFET

#### GENERAL DESCRIPTION

This advanced high voltage MOSFET is designed to stand high energy in the avalanche mode and switch efficiently. This new high energy device also offers a drain-to-source diode fast recovery time. Designed for high voltage, high speed switching applications such as power supplies, converters, power motor controls and bridge circuits.

#### FEATURE

- High Current Rating
- Lower  $R_{DS(on)}$
- Lower Capacitance
- Lower Total Gate Charge
- Tighter  $V_{SD}$  Specifications
- Avalanche Energy Specified



#### Maximum ratings ( $T_a=25^\circ\text{C}$ unless otherwise noted)

Parameter	Symbol	Value	Unit
Drain-Source Voltage	$V_{DS}$	650	V
Gate-Source Voltage	$V_{GSS}$	$\pm 20$	
Continuous Drain Current	$I_D$	2	A
Pulsed Drain Current	$I_{DM}$	8	
Single Pulsed Avalanche Energy (note1)	$E_{AS}$	128	mJ
Power Dissipation	$P_D$	2	W
Thermal Resistance from Junction to Ambient	$R_{\theta JA}$	62.5	$^\circ\text{C}/\text{W}$
Operating and Storage Temperature Range	$T_J, T_{STG}$	-55 ~ +150	$^\circ\text{C}$
Maximum lead temperature for soldering purposes , 1/8" from case for 5 seconds	$T_L$	260	

**Electrical characteristics (T<sub>a</sub>=25°C unless otherwise noted)**

Parameter	Symbol	Test Condition	Min	Typ	Max	Unit
<b>Off characteristics</b>						
Drain-source breakdown voltage	V <sub>(BR)DSS</sub>	V <sub>GS</sub> = 0V, I <sub>D</sub> = 250μA	650			V
Drain-source diode forward voltage(note2)	V <sub>SD</sub>	V <sub>GS</sub> = 0V, I <sub>S</sub> = 2A			1.6	
Zero gate voltage drain current	I <sub>DSS</sub>	V <sub>DS</sub> = 600V, V <sub>GS</sub> = 0V			250	μA
Gate-body leakage curren (note2)	I <sub>GSS</sub>	V <sub>DS</sub> = 0V, V <sub>GS</sub> = ± 20V			± 100	nA
<b>On characteristics (note2)</b>						
Gate-threshold voltage	V <sub>GS(th)</sub>	V <sub>DS</sub> = V <sub>GS</sub> , I <sub>D</sub> = 250μA	2.0		4.0	V
Static drain-source on-resistance	R <sub>DS(on)</sub>	V <sub>GS</sub> = 10V, I <sub>D</sub> = 1A			4.4	Ω
<b>Dynamic characteristics (note 3)</b>						
Input capacitance	C <sub>iss</sub>	V <sub>DS</sub> = 25V, V <sub>GS</sub> = 0V, f = 1MHz		435		pF
Output capacitance	C <sub>oss</sub>			56		
Reverse transfer capacitance	C <sub>rss</sub>			9.2		
<b>Switching characteristics (note 3)</b>						
Total gate charge	Q <sub>g</sub>	V <sub>DS</sub> = 480V, V <sub>GS</sub> = 10V, I <sub>D</sub> = 4.0A		5.0	10	nC
Gate-source charge	Q <sub>gs</sub>			2.7		
Gate-drain charge	Q <sub>gd</sub>			2.0		
Turn-on delay time (note3)	t <sub>d(on)</sub>	V <sub>DD</sub> = 300V, V <sub>GS</sub> = 10V, R <sub>G</sub> = 18Ω, I <sub>D</sub> = 2A		12		ns
Turn-on rise time (note3)	t <sub>r</sub>			21		
Turn-off delay time (note3)	t <sub>d(off)</sub>			30		
Turn-off fall time (note3)	t <sub>f</sub>			24		

**Notes :**

- L=64mH, I<sub>L</sub>=2 A, V<sub>DD</sub>=50V, R<sub>G</sub>=25Ω, Starting T<sub>J</sub>=25°C.
- Pulse Test : Pulse width ≤ 300μs, duty cycle ≤ 2%.
- These parameters have no way to verify.