

AN5640, AN5641

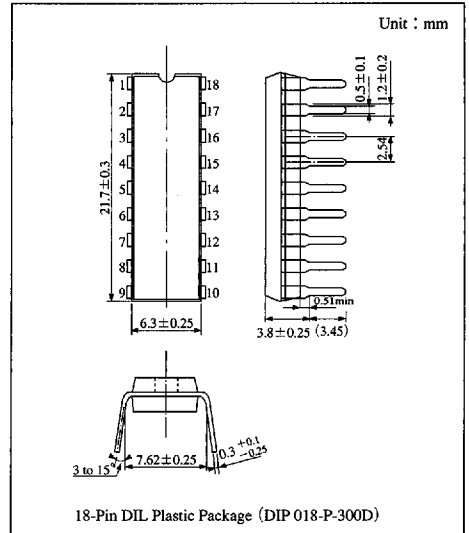
4-TV System (NTSC/M-NTSC/PAL/SECAM) Detection IC

Overview

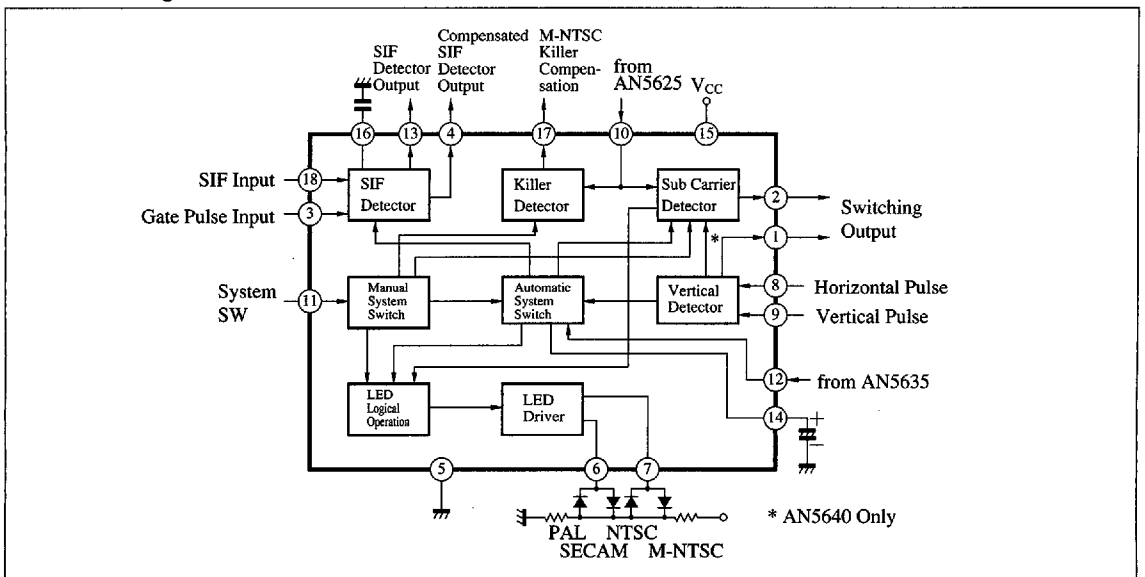
The AN5640 and the AN5641 are integrated circuits designed for 4-TV systems (NTSC/M-NTSC/PAL/SECAM) detection circuits.

Features

- Automatic discrimination between 50Hz and 60Hz of vertical synchronous signal
- Automatic detection of SIF signal's 5.5MHz
- Automatic discrimination between chrominance signal of 3.58MHz and 4.4MHz
- Automatic or manual switching of system is possible.
- Includes LED driver circuits for system indication
- AN5641 is able to select multi-TV systems with external logic circuits.



Block Diagram



6932852 0014393 057