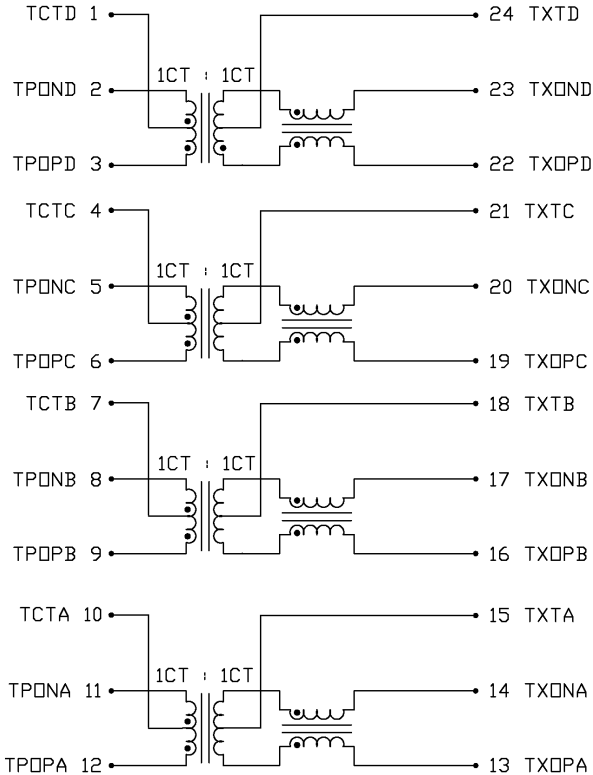


THE INFORMATION CONTAINED HEREIN IS CONSIDERED  
 "PROPRIETARY" TO BEL FUSE INC. AND SHALL NOT BE  
 COPIED, REPRODUCED OR DISCLOSED WITHOUT THE  
 WRITTEN APPROVAL OF BEL FUSE INC.



SCHEMATIC



ELECTRICAL CHARACTERISTICS @ 25°C

URNS RATIO

(3-1-2) : (22-24-23)	1CT : 1CT
(6-4-5) : (19-21-20)	1CT : 1CT
(9-7-8) : (16-18-17)	1CT : 1CT
(12-10-11) : (13-15-14)	1CT : 1CT

OCL

-40°C TO +85°C

350μH MIN. AT 100kHz, 100mV  
 WITH 8mA DC BIAS

INSERTION LOSS

1.1dB MAX. @ 0.1 TO 1MHz  
 0.5dB MAX. @ 1 TO 65MHz  
 1.0dB MAX. @ 80MHz  
 1.2dB MAX. @ 125MHz

RETURN LOSS

UNDER 100 OHM  
 ±15% ENVIRONMENT

18dB MIN. @ 0.5 TO 40 MHz  
 12-20LOG (F/80MHz) dB MIN.  
 @ 40 TO 100MHz

COMMON TO COMMON REJECTION

30dB MIN. @ 0.1 TO 100MHz

CROSSTALK

33-20LOG (F/100MHz) dB MIN.  
 @ 1 TO 100MHz

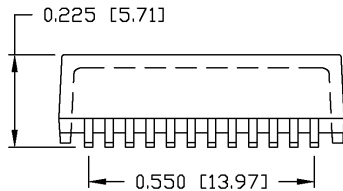
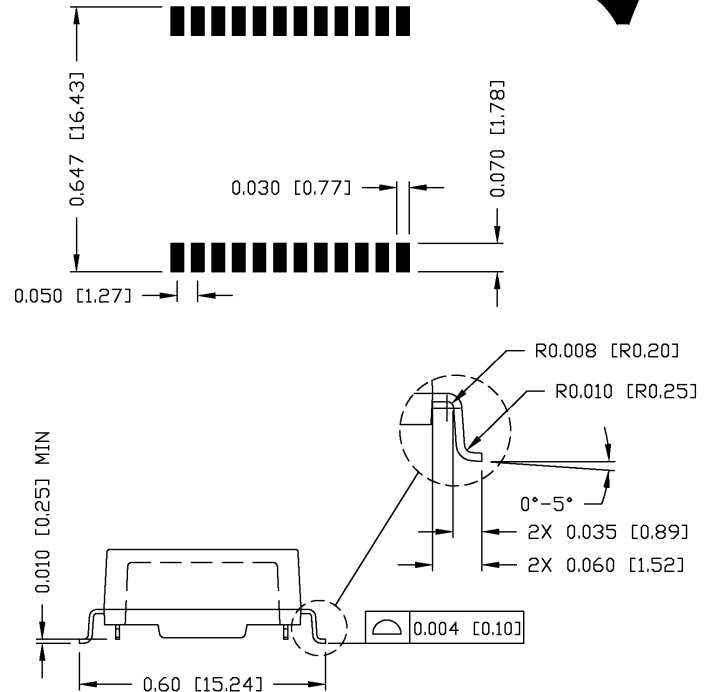
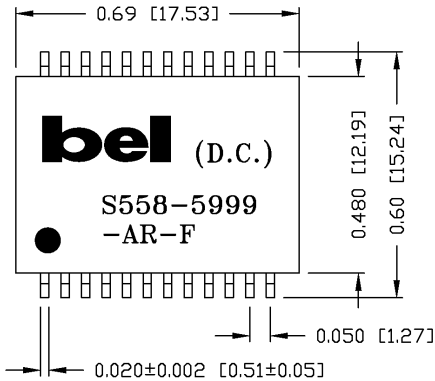
HIPOT

PER HAND-WORK-03

ORIGINATED BY	DATE	TITLE	PART NO. / DRAWING NO.	STANDARD DIM.	[ ] METRIC DIM. AS REFERENCE	 <small>COMPONENTS OF A        CONNECTED        PLANET</small>
HQ	08-17-06	ELECTRICAL SPECIFICATION S558-5999-AR-F	X5585999AR-F	TOL. IN INCH	UNIT : INCH [mm] REV. : A	
DRAWN BY	DATE		FILE NAME	.X	SCALE : N/A SIZE : A4	
DQ Chen	08-17-06	X5585999ARFA.DWG	.XX	⊕	PAGE : 2	

THE INFORMATION CONTAINED HEREIN IS CONSIDERED "PROPRIETARY" TO BEL FUSE INC. AND SHALL NOT BE COPIED, REPRODUCED OR DISCLOSED WITHOUT THE WRITTEN APPROVAL OF BEL FUSE INC.

SUGGESTED PCB PAD LAYOUT



NOTES:

- STANDARD MARKING REFER TO DOC. HAND-WORK-04.
- PACKAGE CODE: "RQS001".

ORIGINATED BY	DATE	TITLE	PART NO. / DRAWING NO.	STANDARD DIM. TOL. IN INCH	[ ] METRIC DIM. AS REFERENCE	 COMPONENTS OF A CONNECTED PLANET	
Lawrence	08-17-06	MECHANICAL DRAWING S558-5999-AR-F	X5585999AR-F	.X	UNIT : INCH [mm]		REV. : A
DRAWN BY	DATE		FILE NAME	.XX ±0.01	SCALE : N/A		SIZE : A4
DQ Chen	08-17-06	X5585999ARFA.DWG	.XXX ±0.005		PAGE : 3		